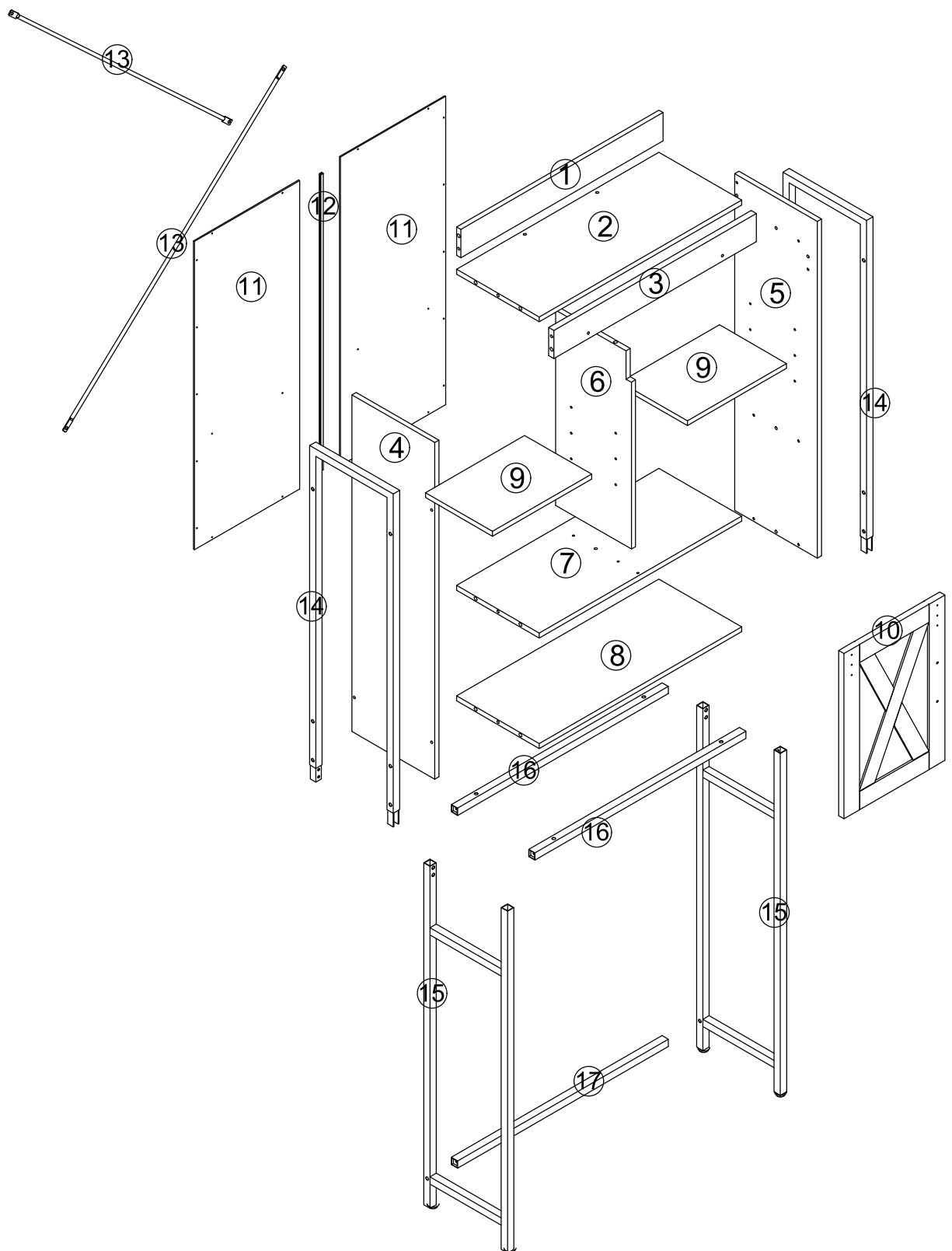


ATTENTION!!!!







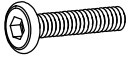
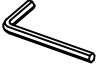
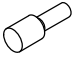
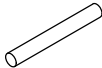
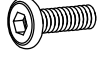




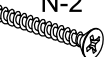


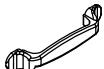

1. prior to assembly, please check the product for defects or missing parts. If any parts are missing, please feel free to contact us.
2. Please fix the product to the wall with safety strap provided in case of topping. because construction materials vary, please consult a local professional for the most suitable way to fix your product to the wall.
3. Semi-tighten all screws in each of their desired positions, then fully tighten them.
4. Children could only use the product under adult supervision. it is forbidden children to climb or play on the product to prevent body injury caused by toppling or mirror breaking.

Parts list

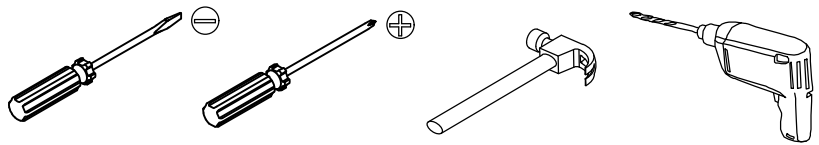
- ① x1
- ② x1
- ③ x1
- ④ x1
- ⑤ x1
- ⑥ x1
- ⑦ x1
- ⑧ x1
- ⑨ x2
- ⑩ x1
- ⑪ x2
- ⑫ x1
- ⑬ x2
- ⑭ x2
- ⑮ x2
- ⑯ x2
- ⑰ x1



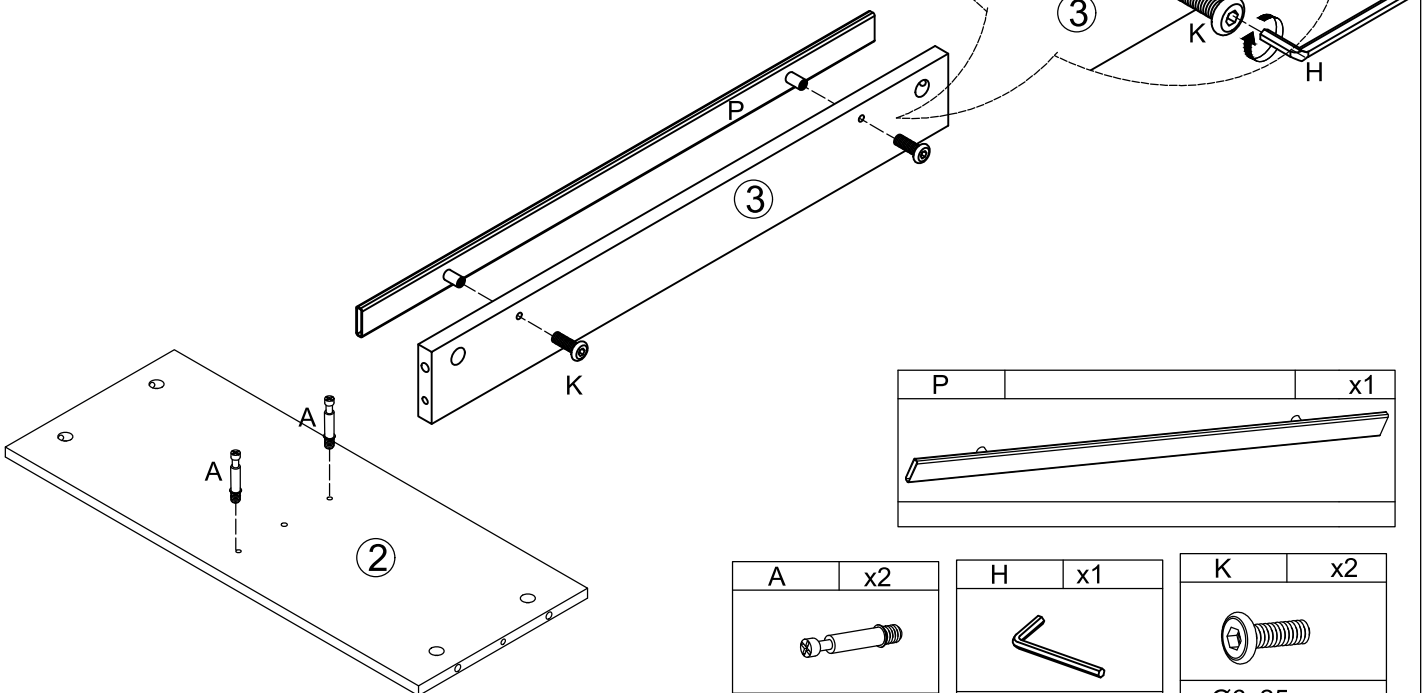
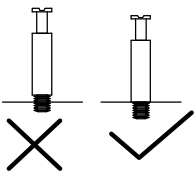
Hardware


A	x18+1	B	x18+1	C	x14+1	D	x2	E	x3	F	x20+2
											
Ø6x35mm		Ø15x10mm		Ø6x30mm							
G	x6	H	x1	I	x4+1	J	x2	K	x14	L	x12
											
Ø6x40mm		M4mm						Ø6x25mm		Ø6x10mm	
M	x2	N	x2	O	x2	P				x1	
											
Q	x1	R	x6+1								
											

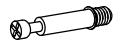
Tool Required
Not Provided

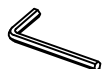


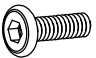
1



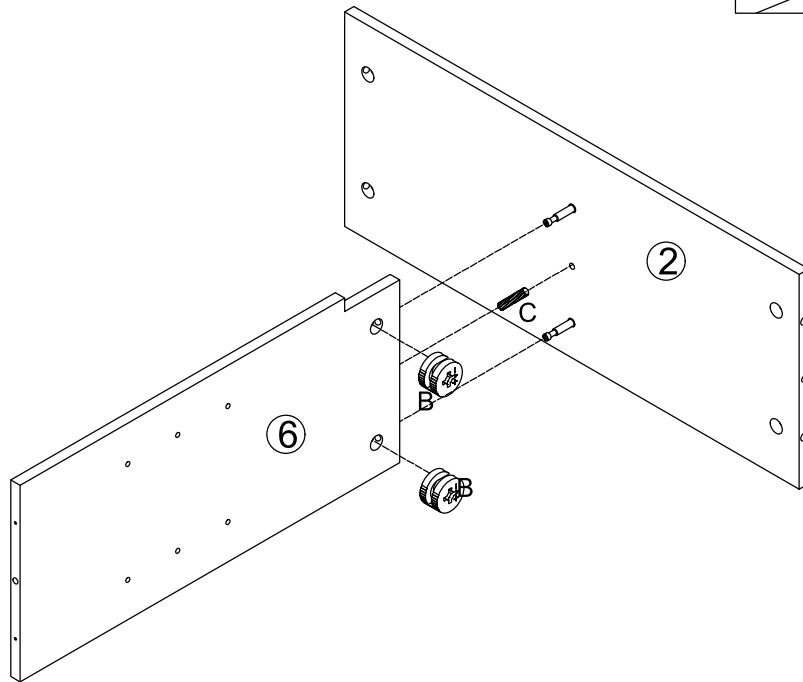
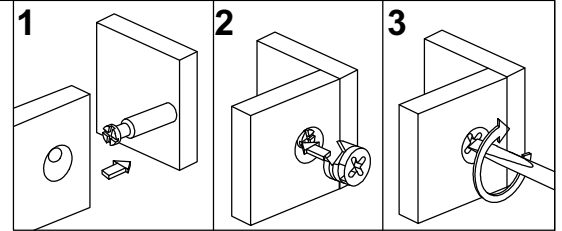
P	x1
	



A	x2
	
Ø6x35mm	

H	x1
	
M4mm	

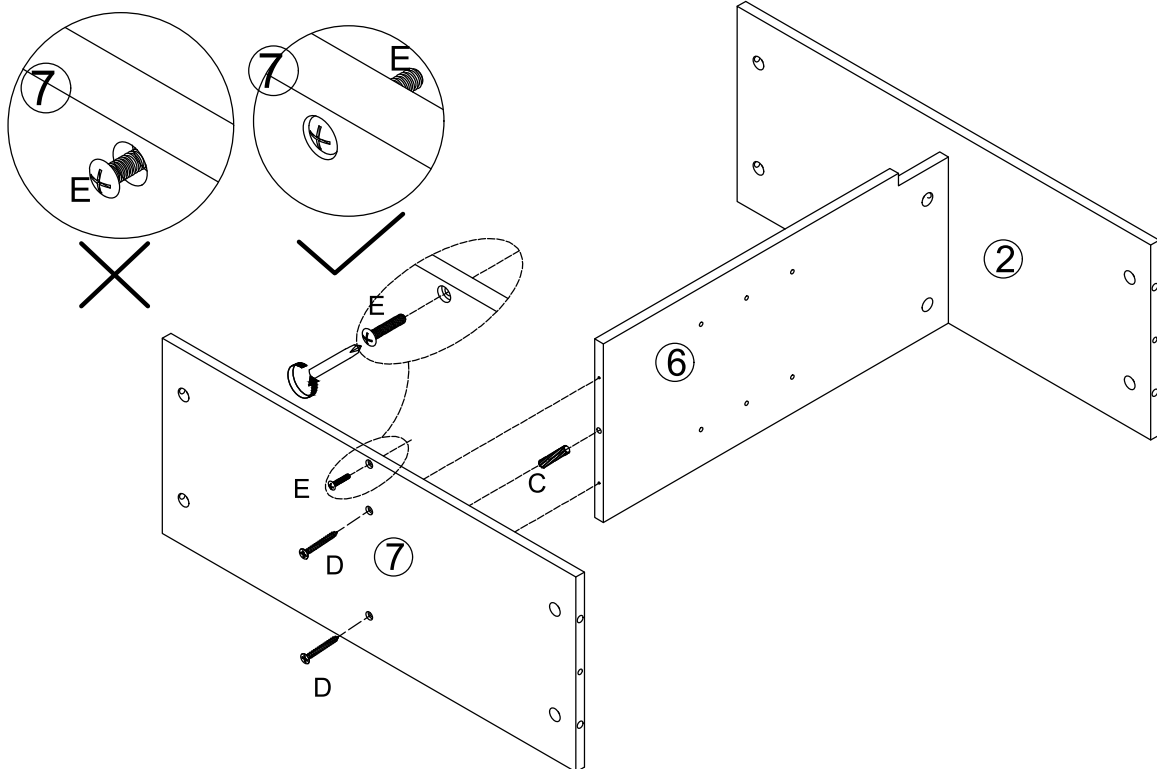
K	x2
	
Ø6x25mm	




2



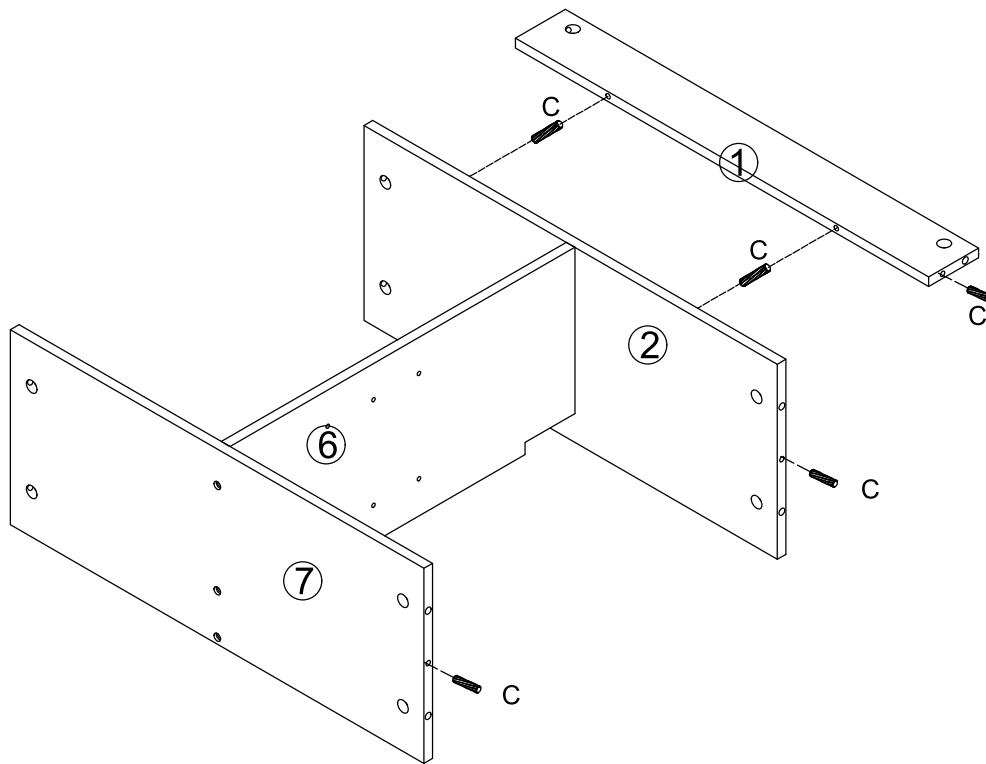
B	x2	C	x1
			
Ø15x10mm		Ø6x30mm	

3



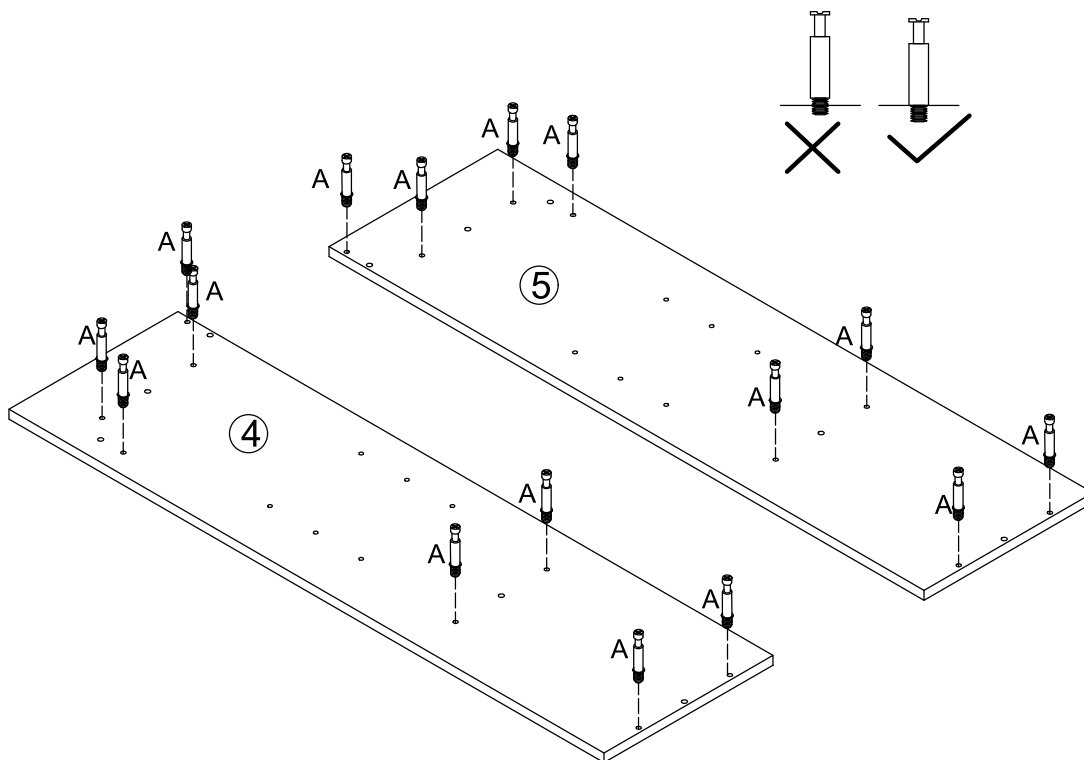
C	x1	D	x2	E	x1
					
Ø6x30mm					

4

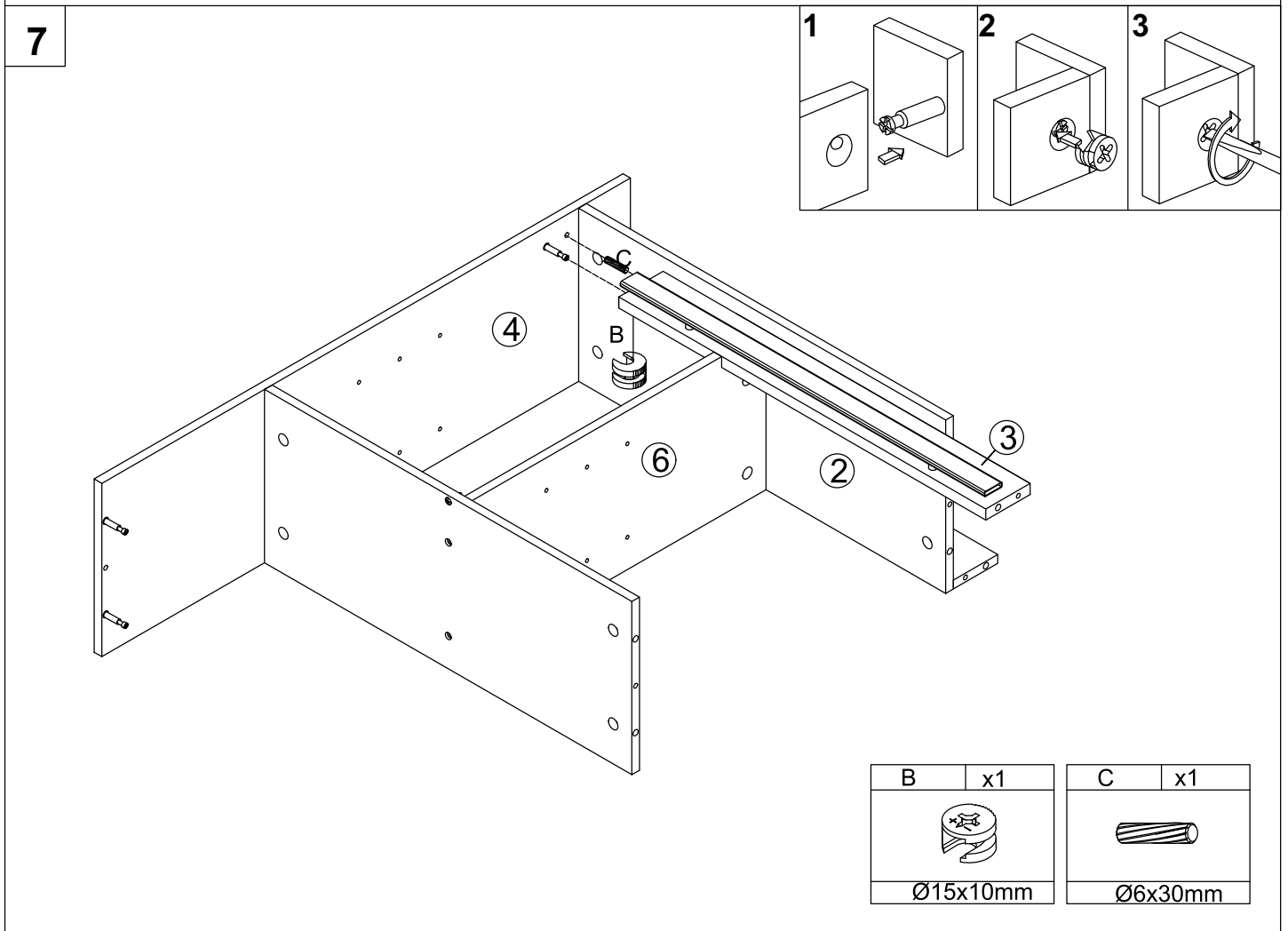
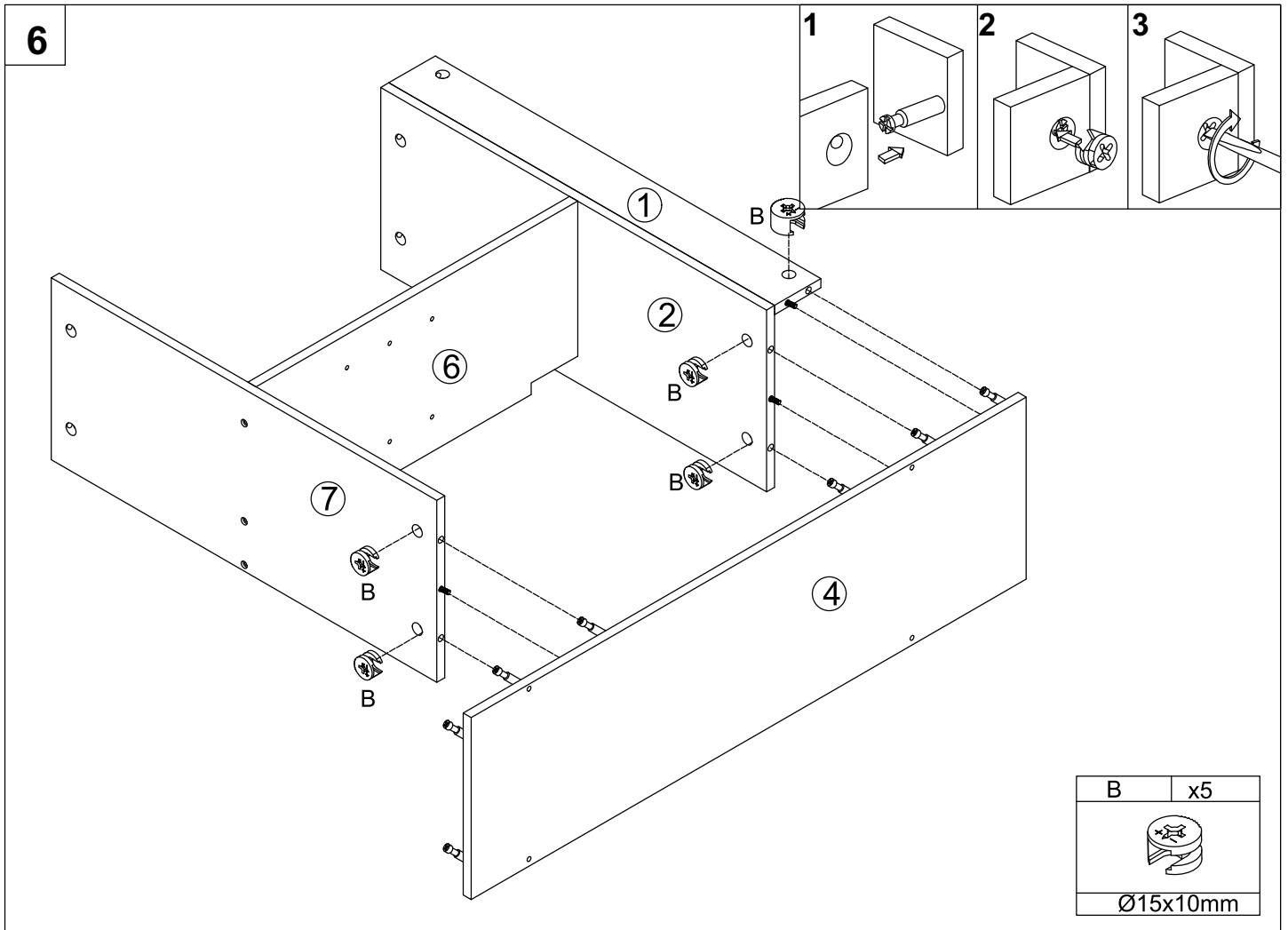


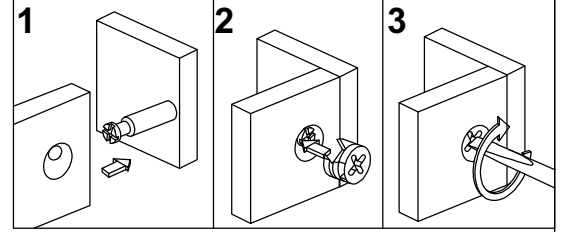
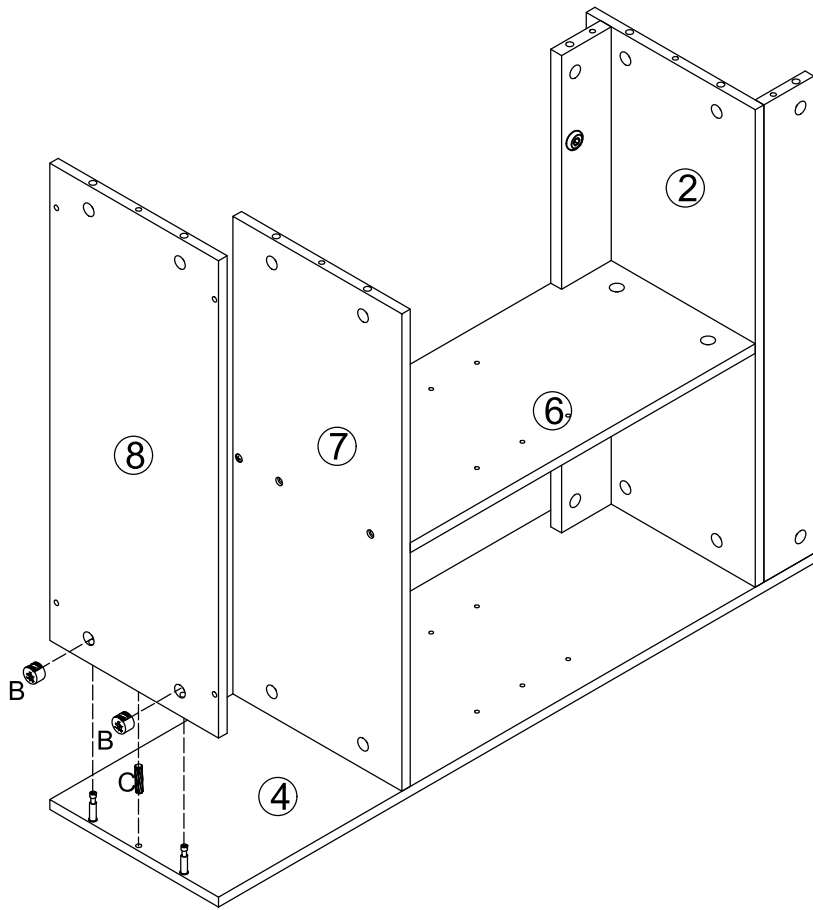
C	x5
Ø6x30mm	

5



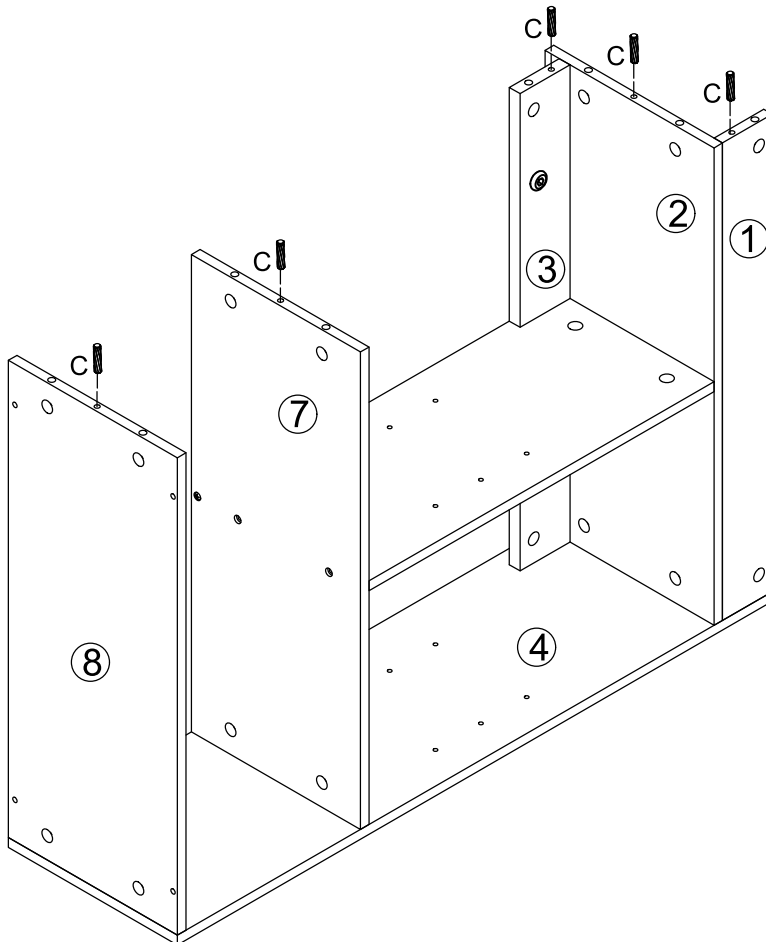
A	x16
Ø6x35mm	



8

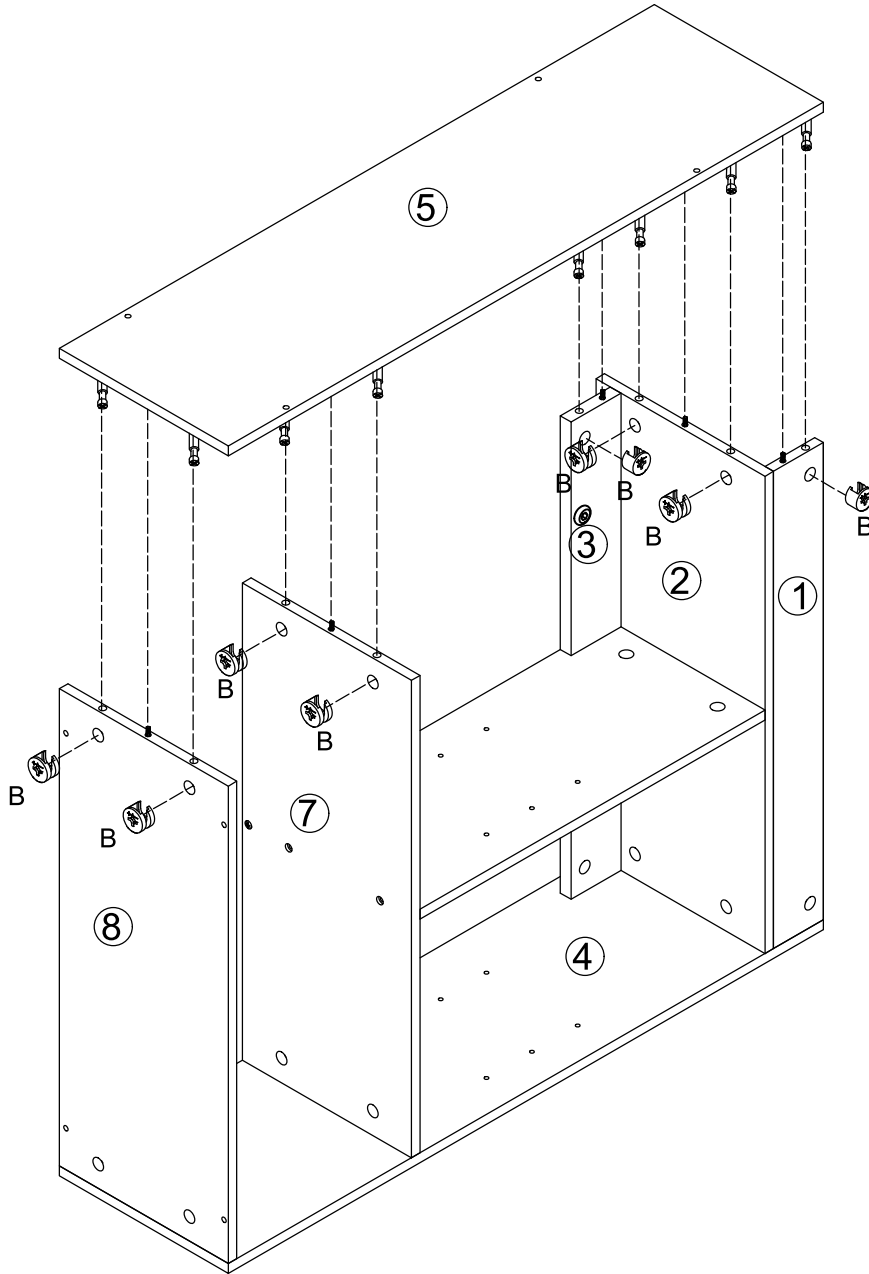
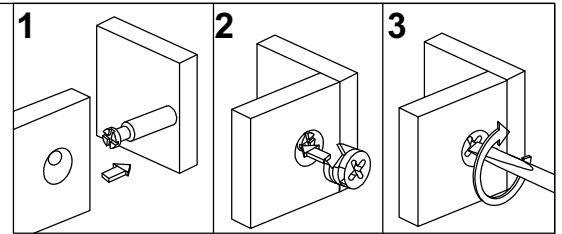
B	x2
Ø15x10mm	


C	x1
Ø6x30mm	

9

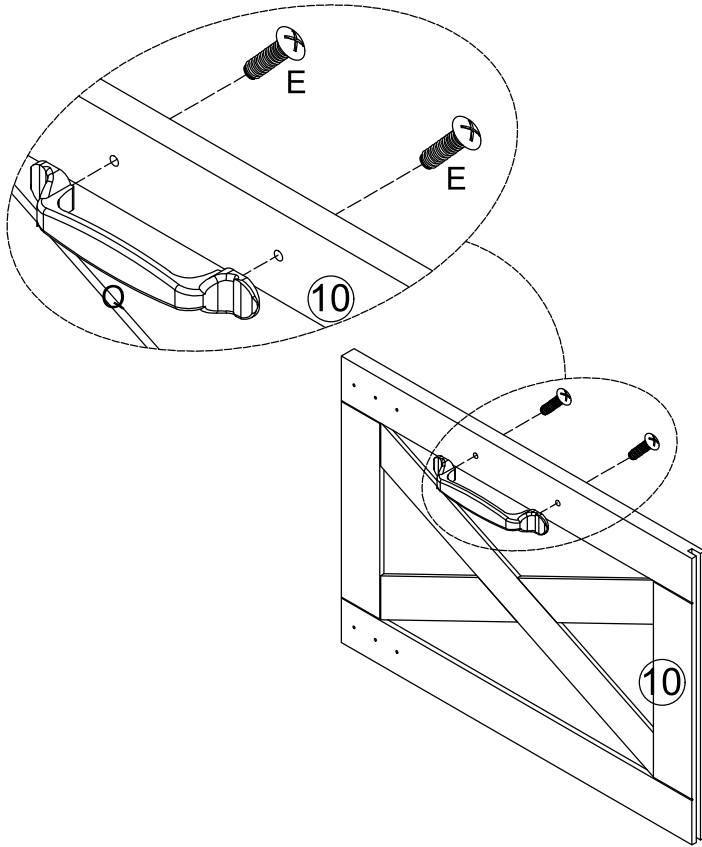
C	x5
Ø6x30mm	


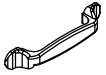
10



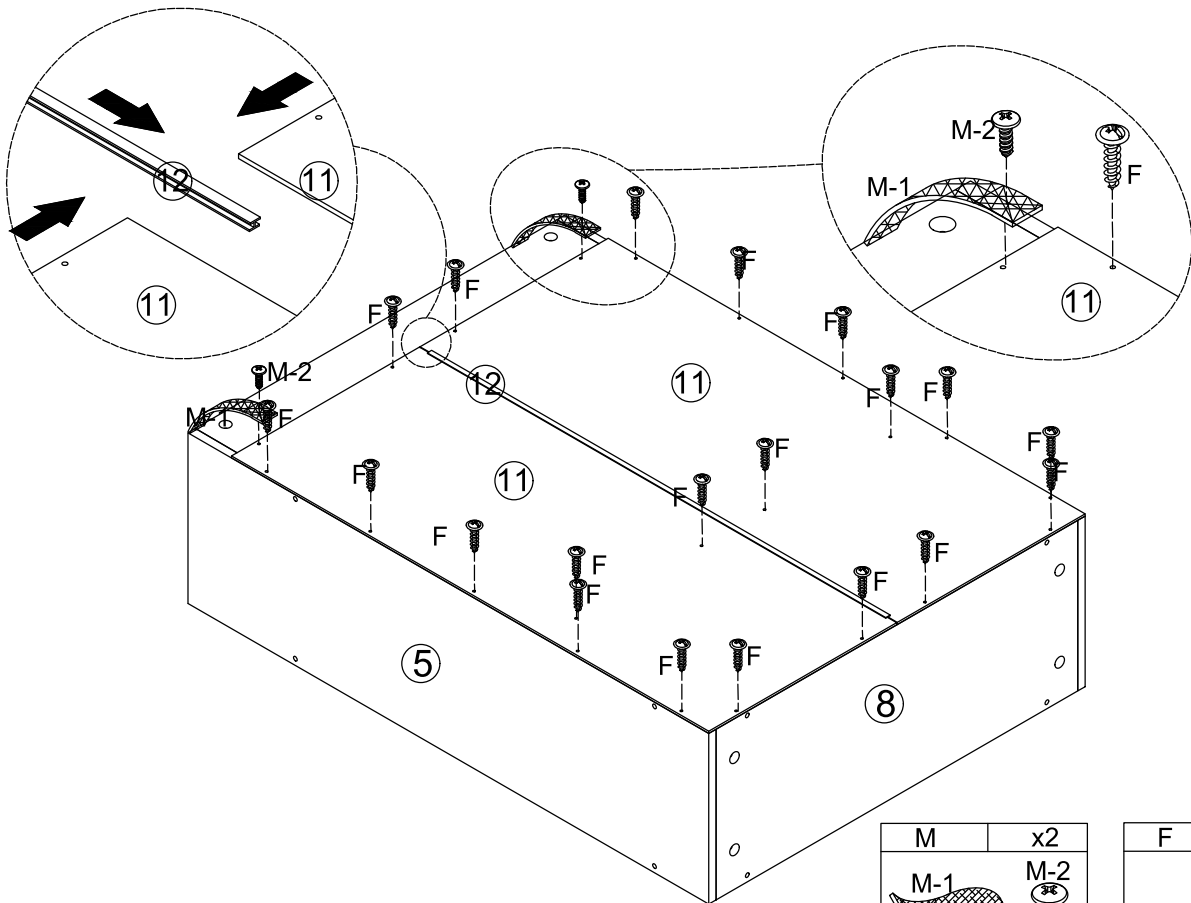
B	x8
	
Ø15x10mm	

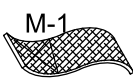


11



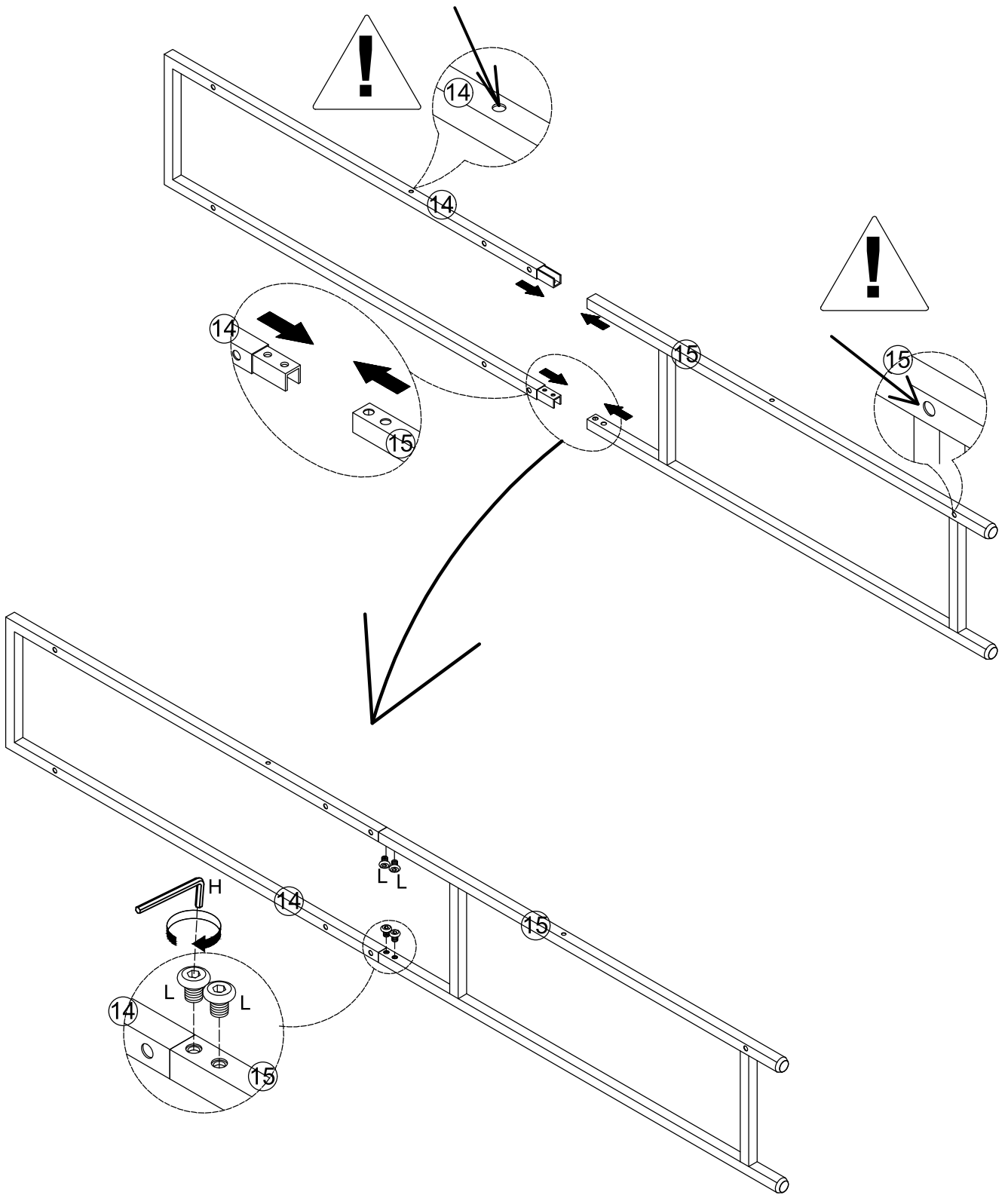
E	x2	Q	x1
			

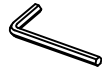
12

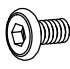


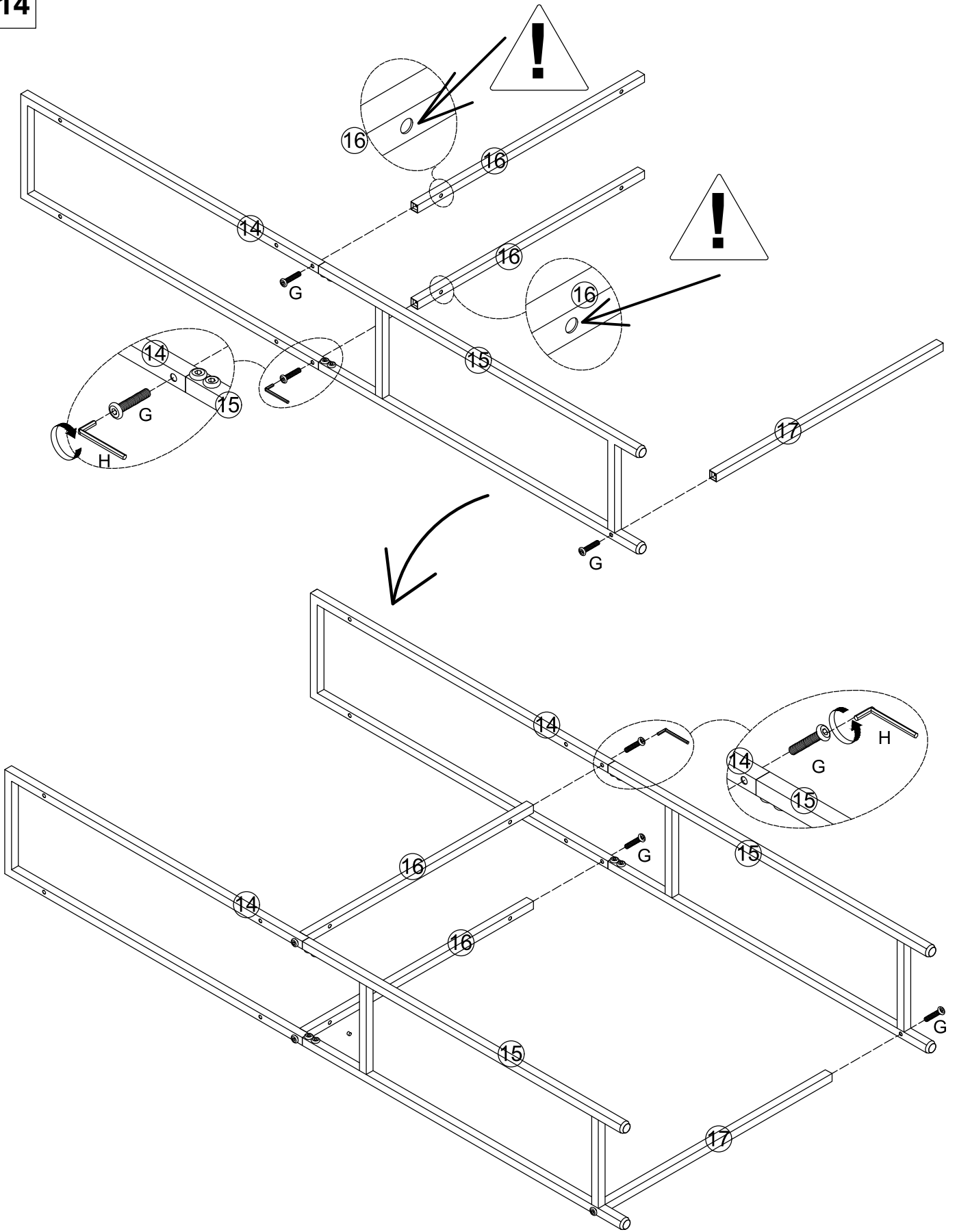
M	x2	F	x20
 			

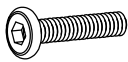
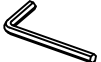
13 x2

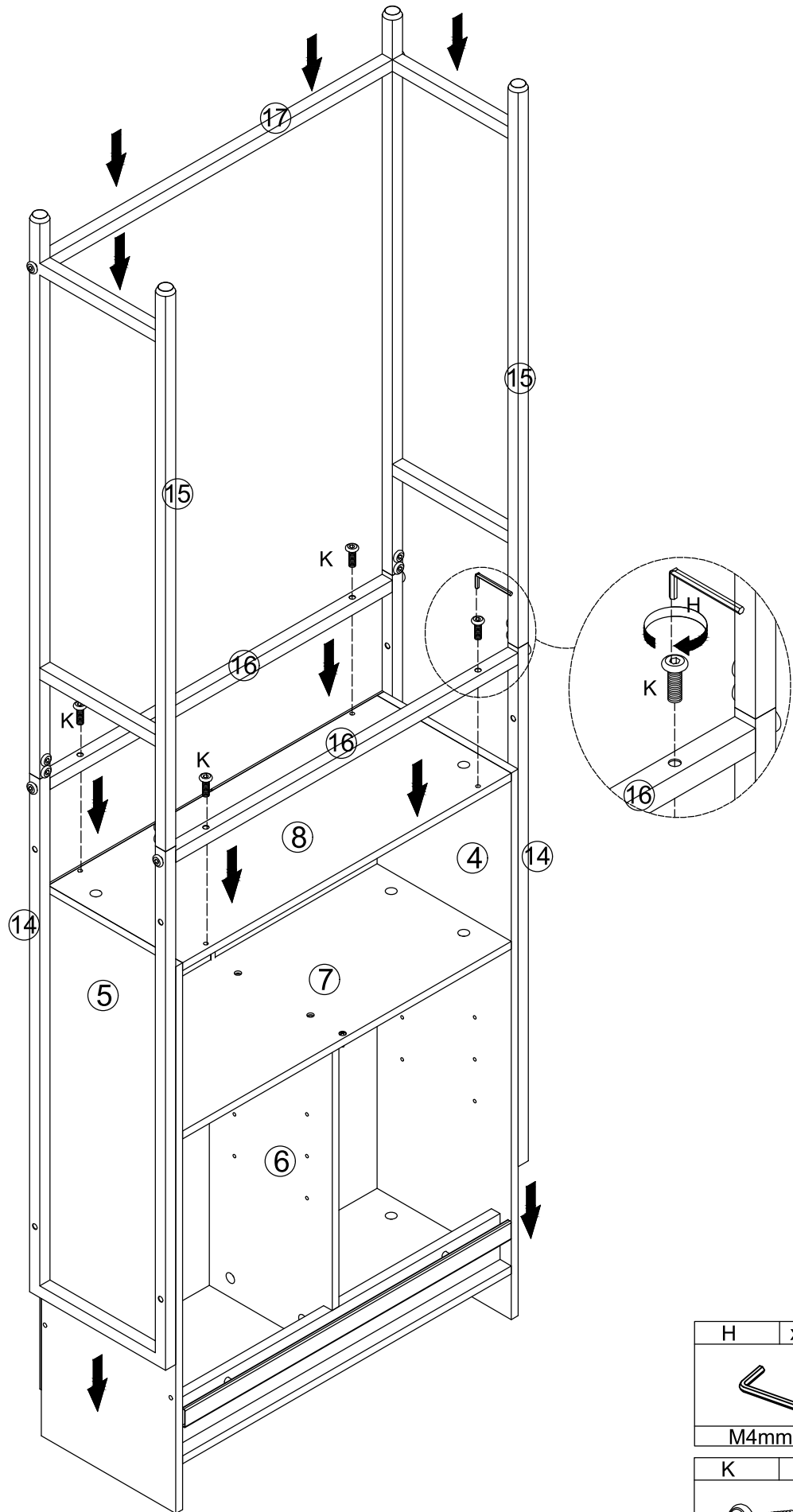




H	x1
	
M4mm	

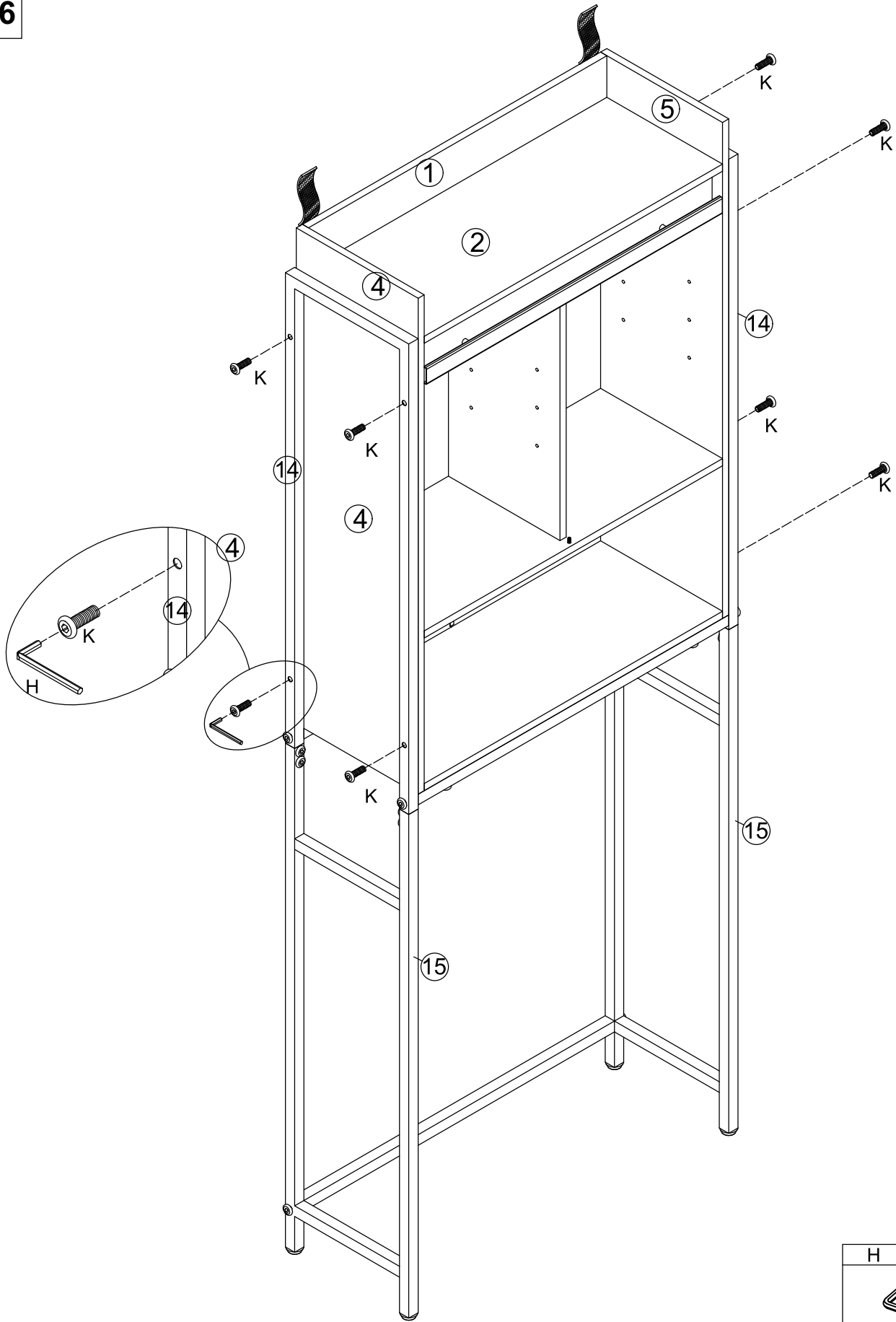
L	x8
	
Ø6x10mm	

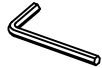
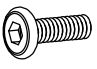


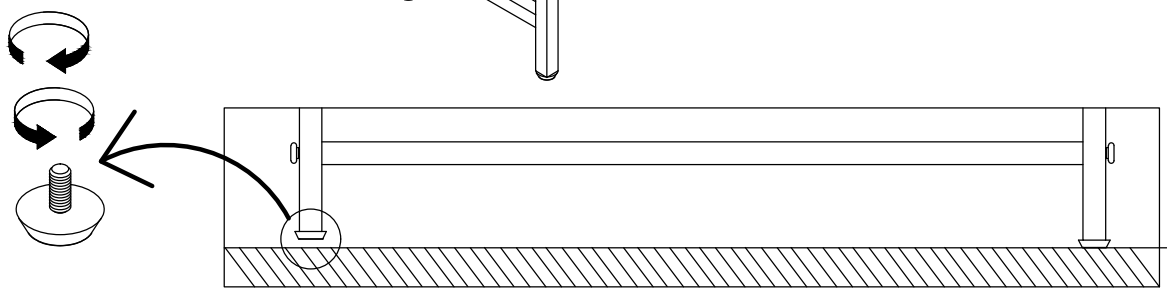
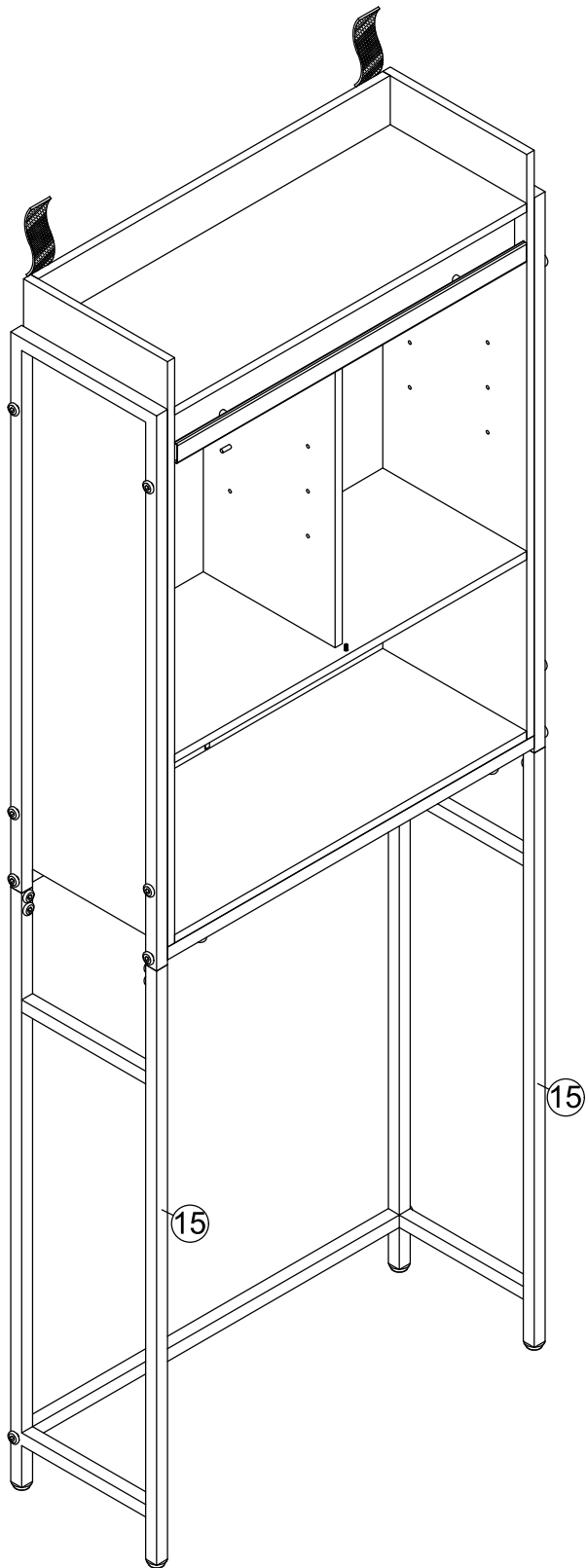
G	x6	H	x1
			
Ø6x40mm		M4mm	



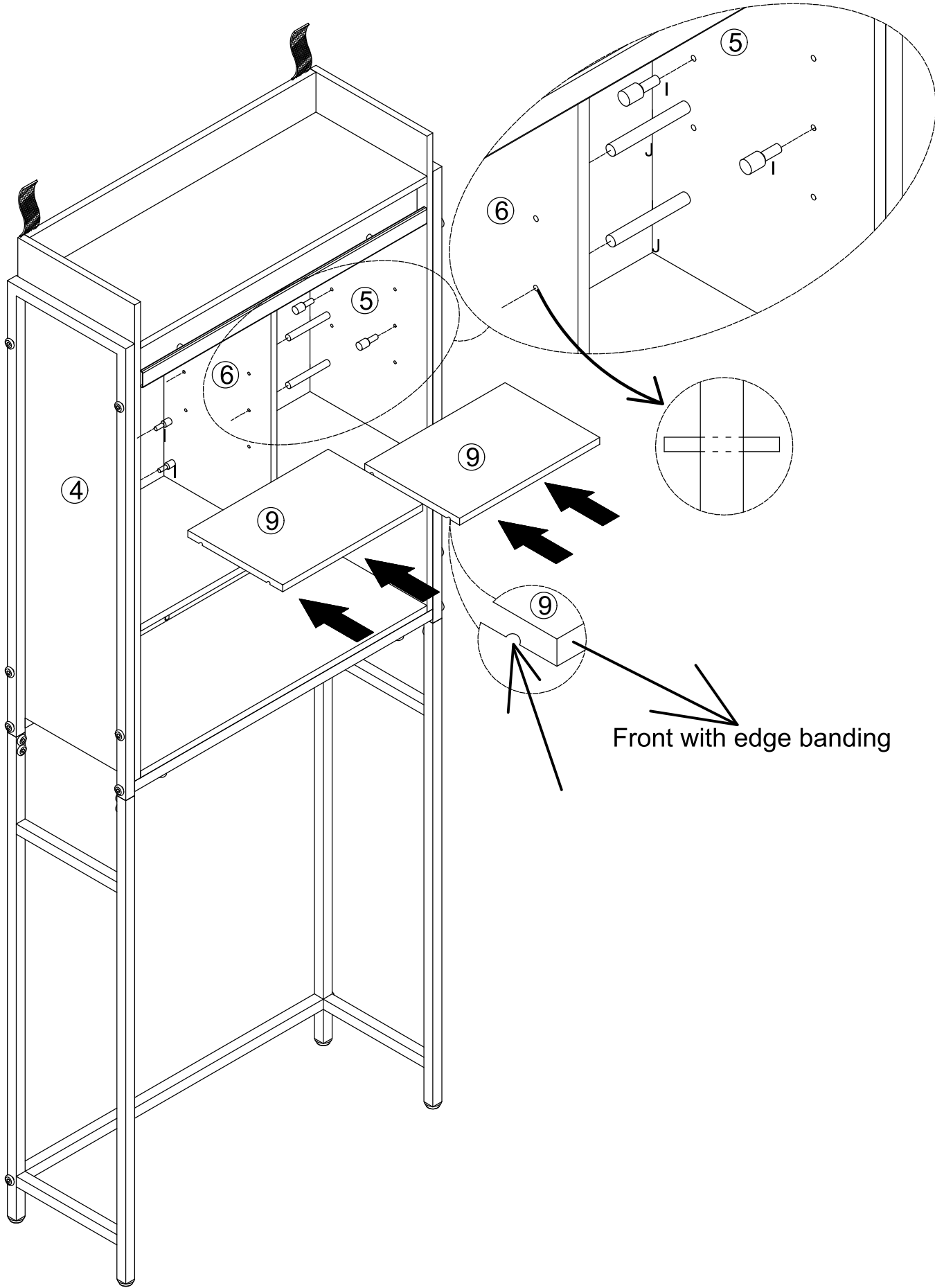
H	x1
	
M4mm	
K	x4
	
Ø6x25mm	



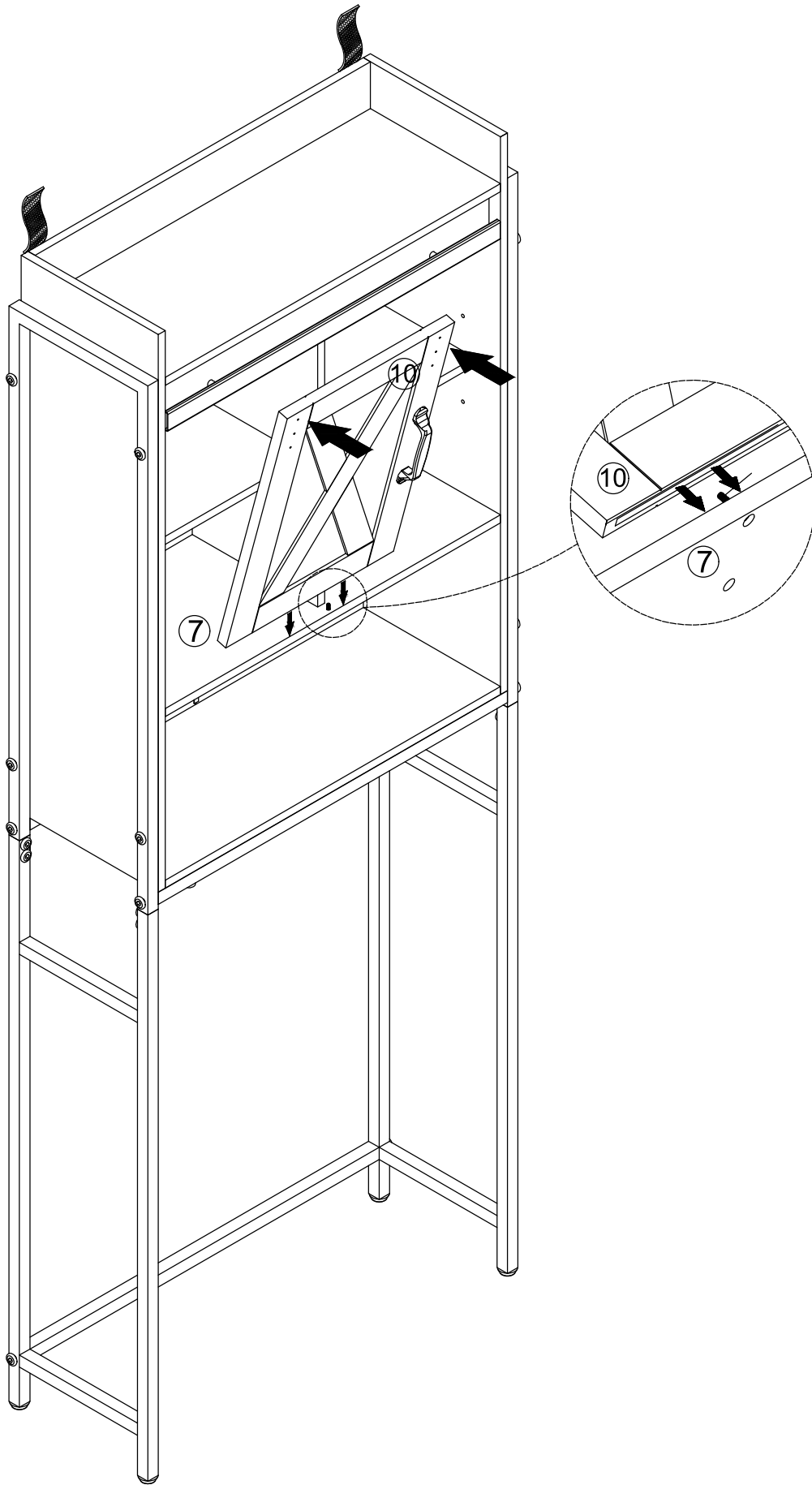
H	x1
	
M4mm	
K	x8
	
Ø6x25mm	

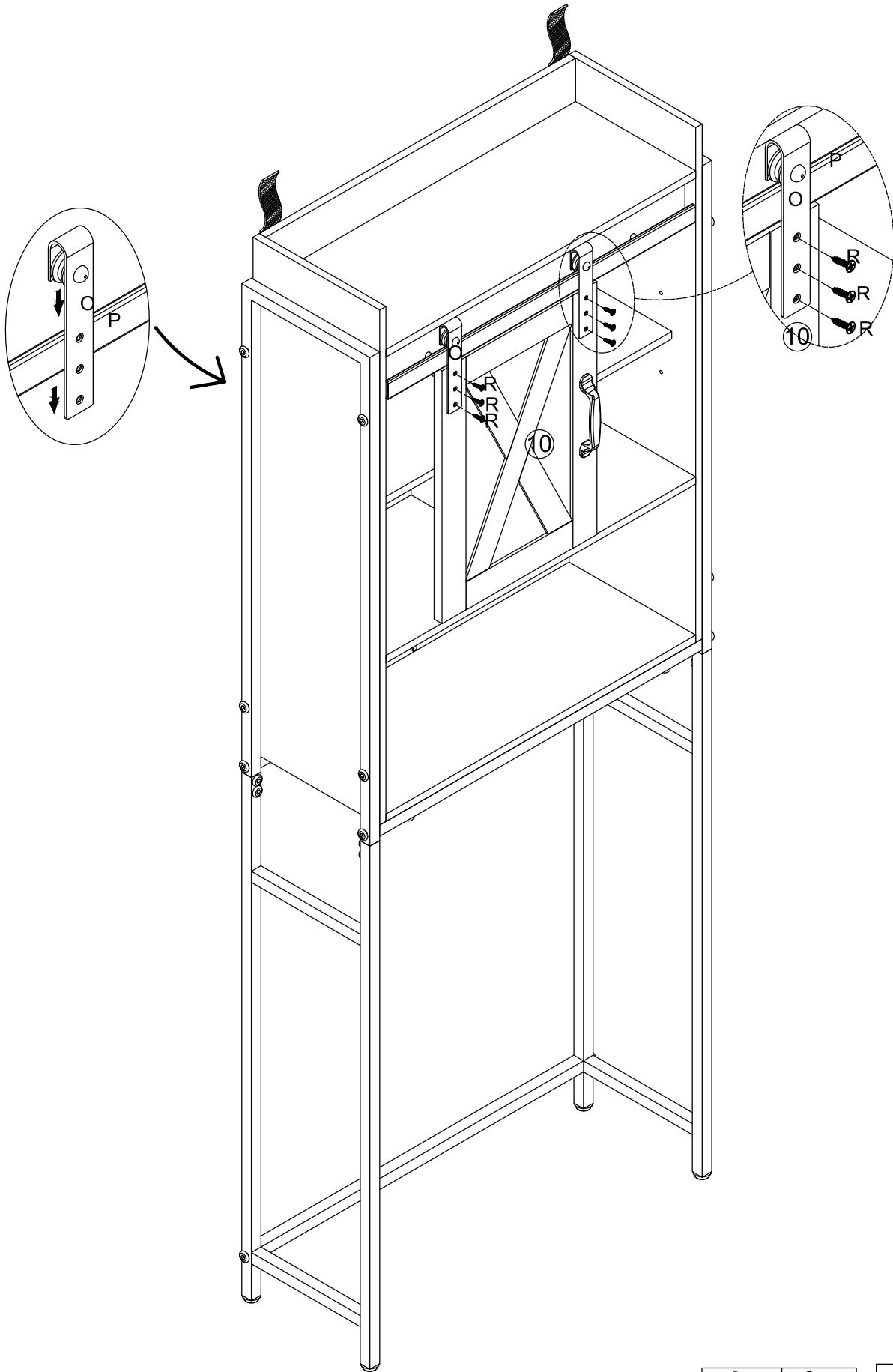



If the foot of the cabinet body is not at the same level with the ground, please rotate the adjusting foot pad of the sole of the foot with your hand to make the feet of the cabinet body level with the ground




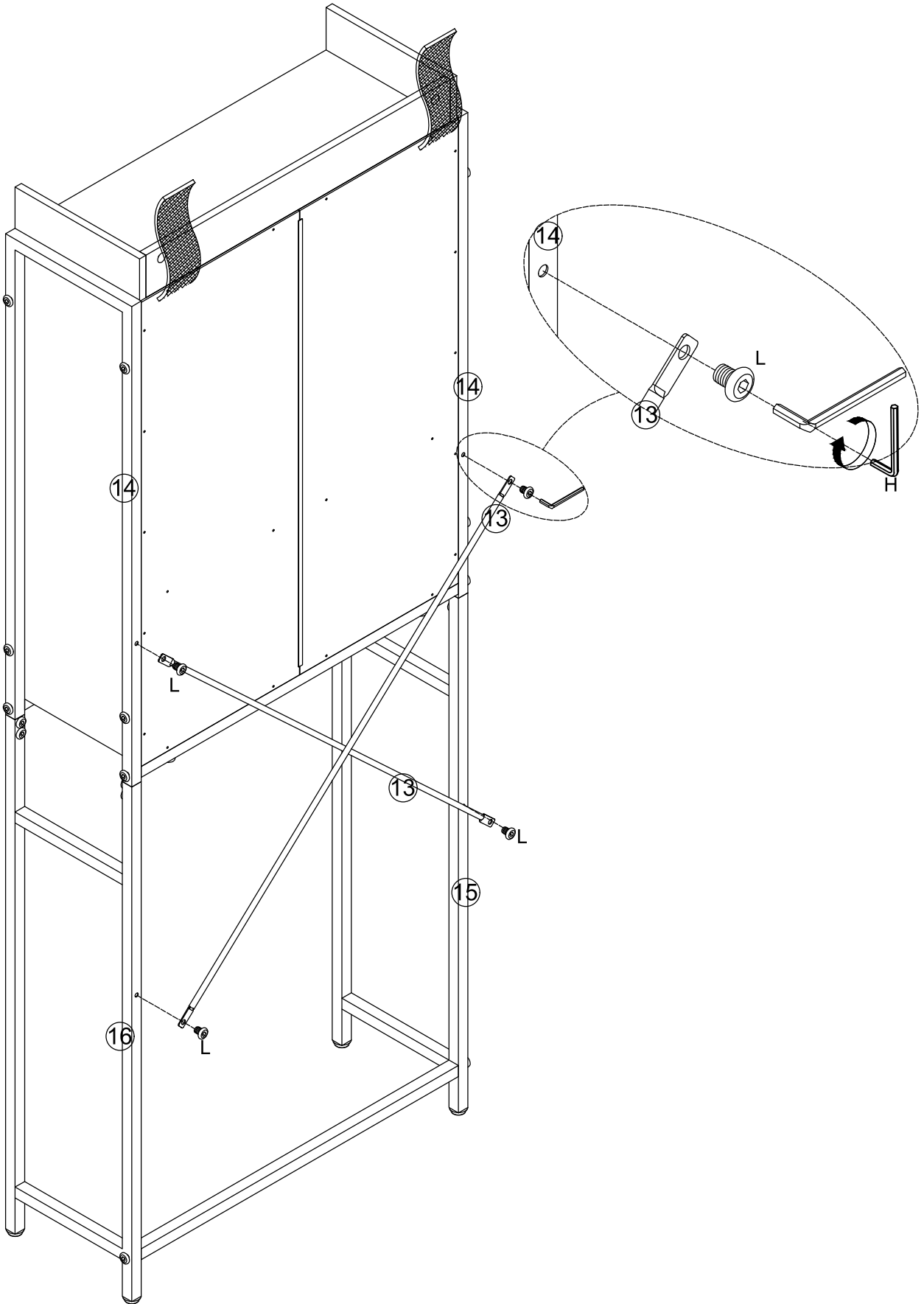
I	x4	J	x2

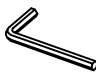





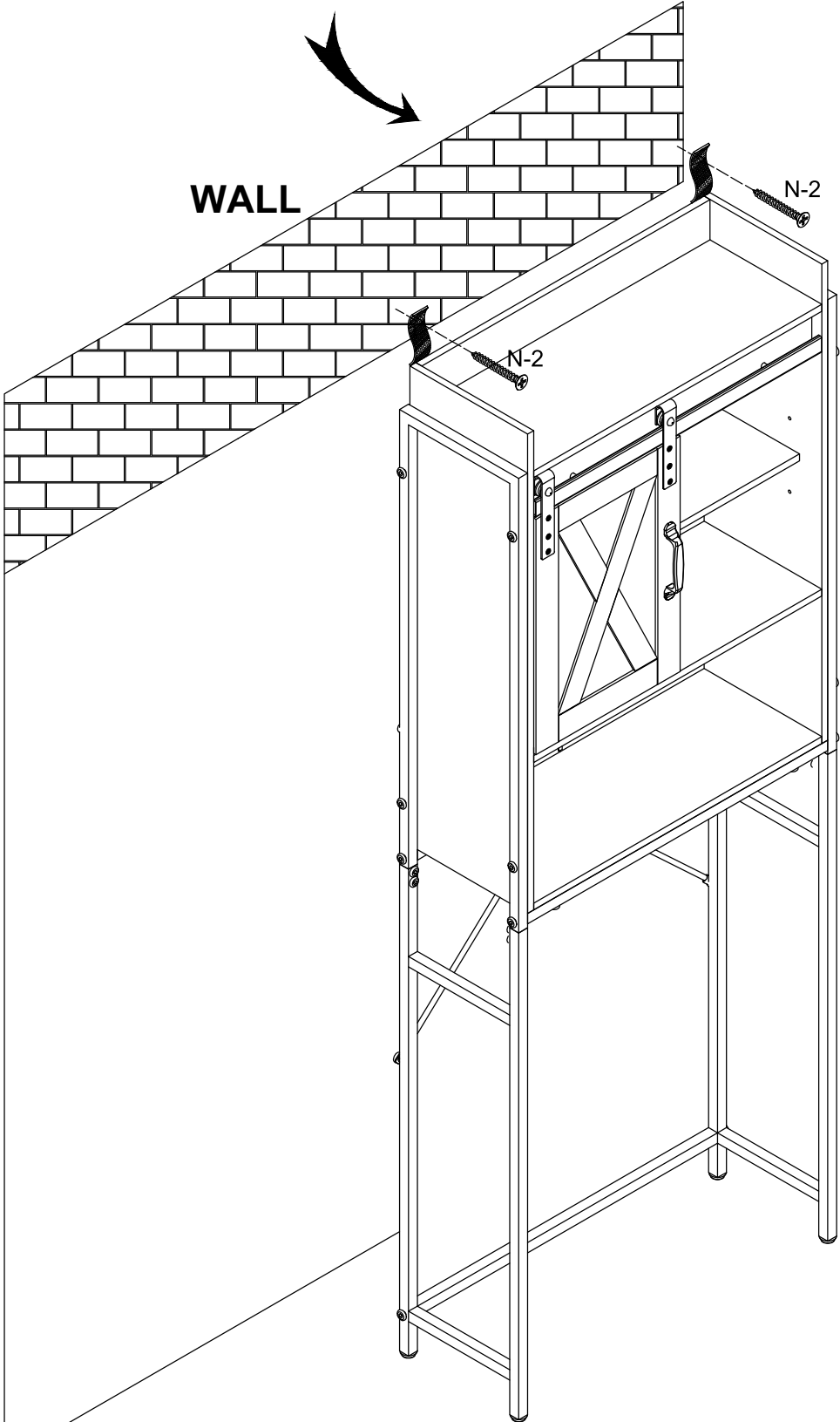
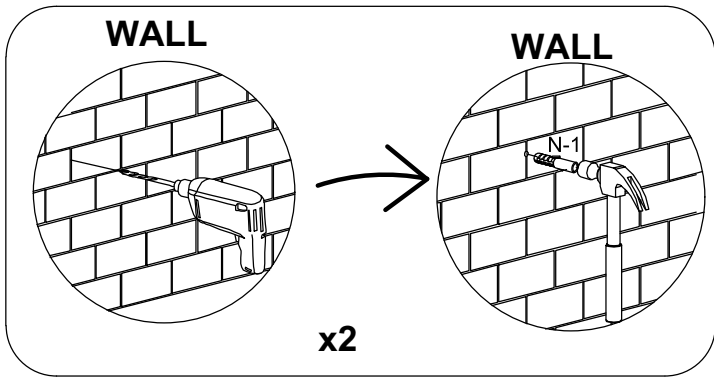
O	x2
	

R	x6
	



H	x1
	
M4mm	

L	x4
	
Ø6x10mm	



N	x2
N-1	N-2

