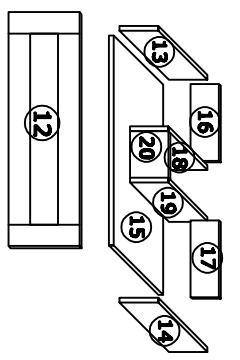
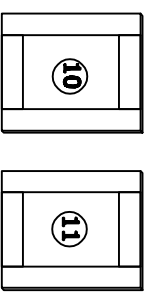
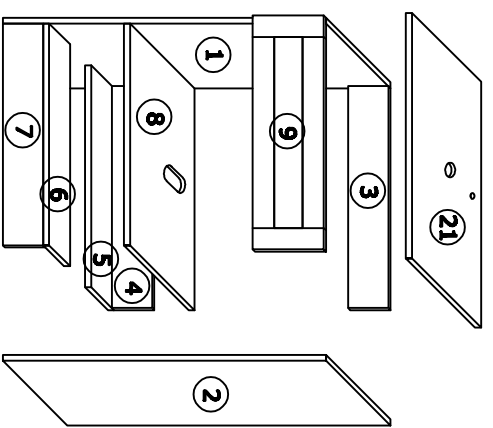
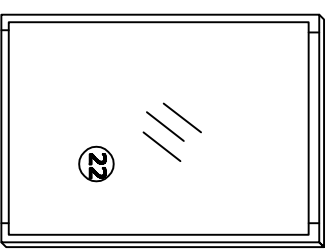


BA1001

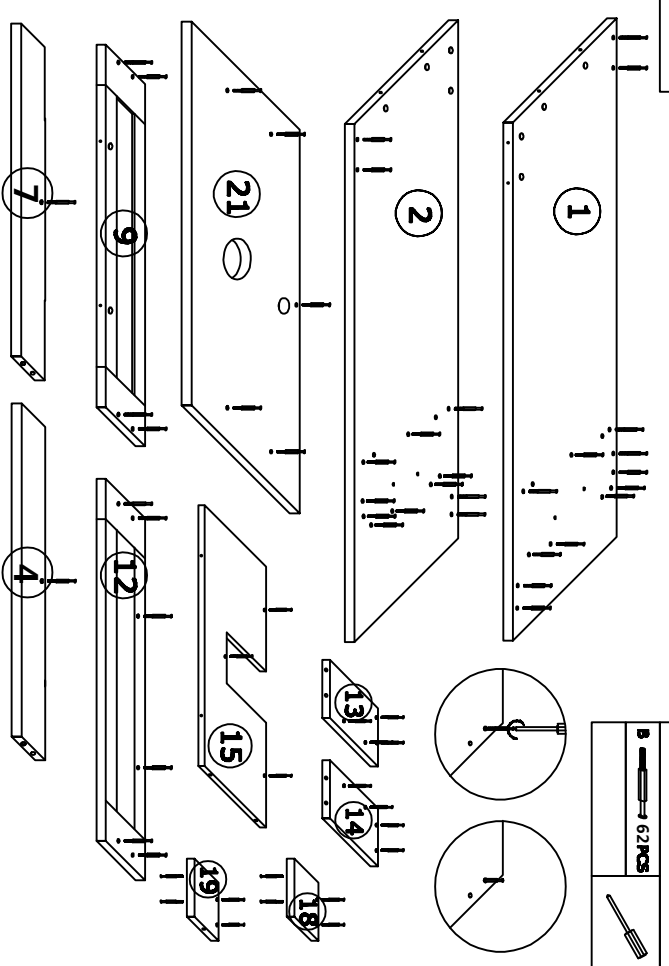


**USER'S MANUAL**  
**Bathroom Vanity**  
**BA1001**

PARTS LIST					HARDWARE LIST			
NO.	DESCRIPTION	QTY	NO.	DESCRIPTION	QTY	NO.	DESCRIPTION	QTY
1		1	14		1	A	CAM LOCK	62
2		1	15		1	B	CAM SCREW	62
3		1	16		1	C	CAM LOCK COVER	62
4		1	17		1	D	HINGE	4
5		1	18		1	E	SCREW	46
6		1	19		1	F	HASCREW ( $\phi 4 \times 20 \text{MM}$ )	6
7		1	20		1	G	$\phi 3.5 \times 35 \text{MM}$	4
8		1	21		1	H	$\phi 6 \times 30 \text{MM}$	4
9		1	22		1	I	SHORT HANDLE	2
10		1				J	LONG HANDLE	1
11		1				K	CORNER IRON	2
12		1				L		1
13		1				M		4



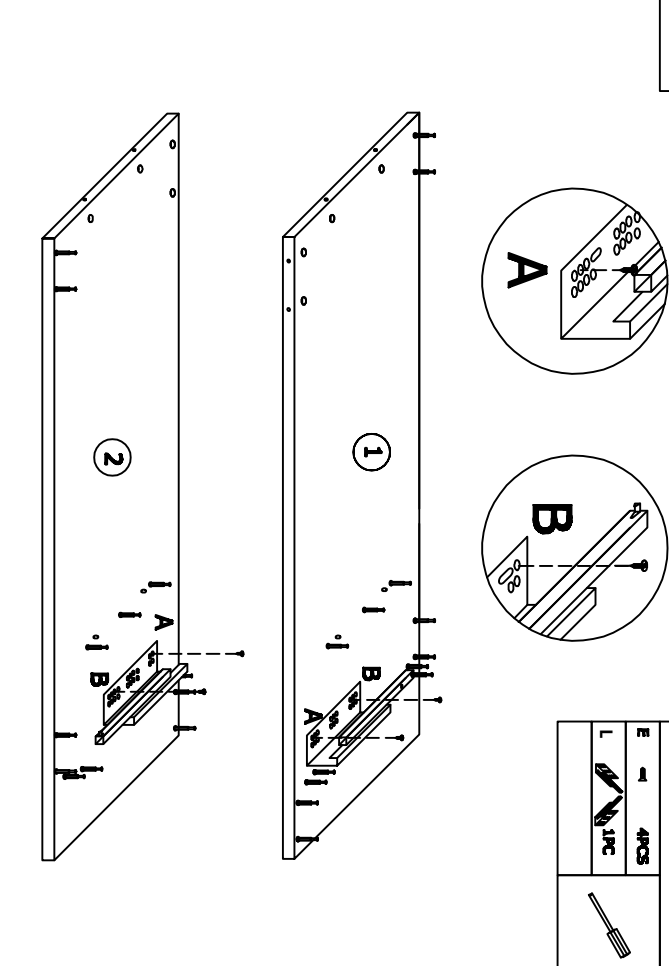
STEP 1



HARDWARE LIST

B	62PCS	
---	-------	--

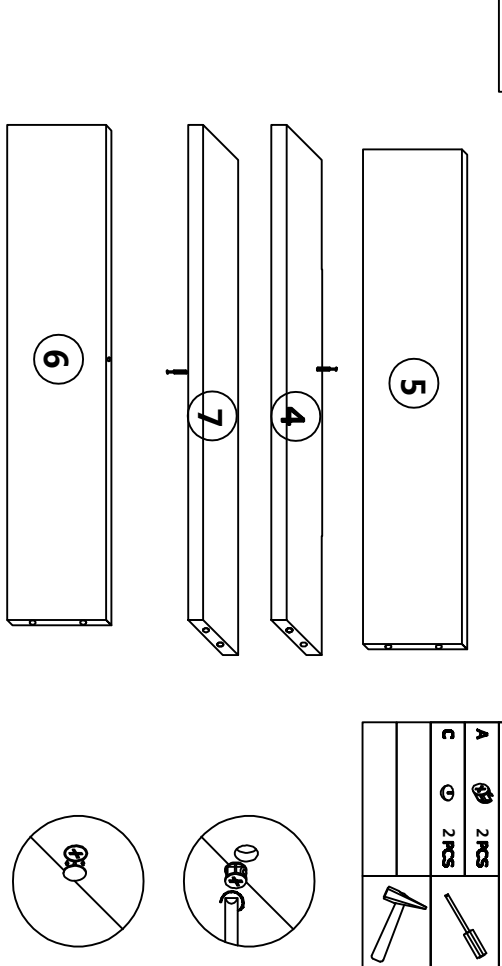
STEP 2



HARDWARE LIST

E	4PCS	
L	1PC	

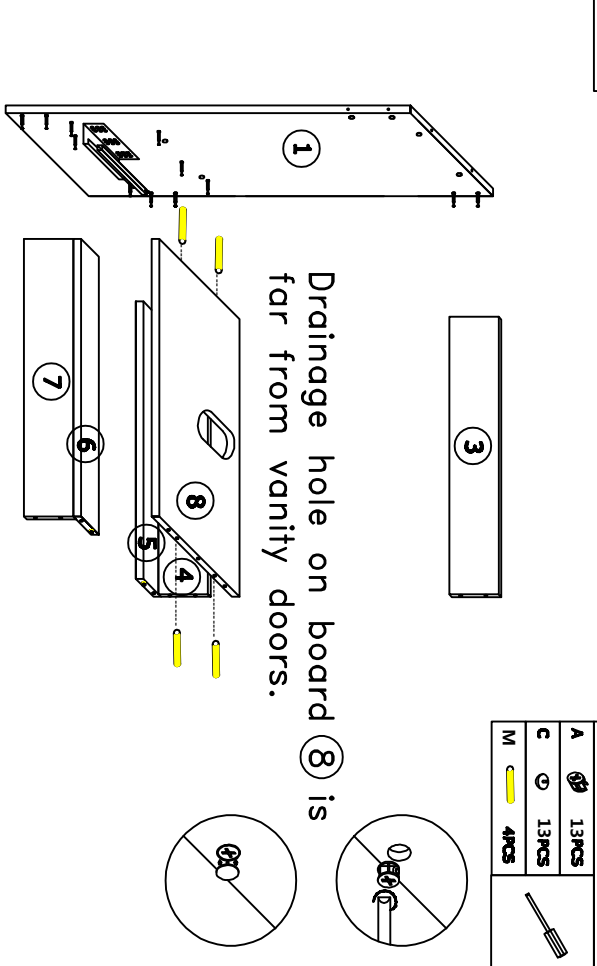
STEP 3



HARDWARE LIST

A	2PCS	
C	2PCS	

STEP 4

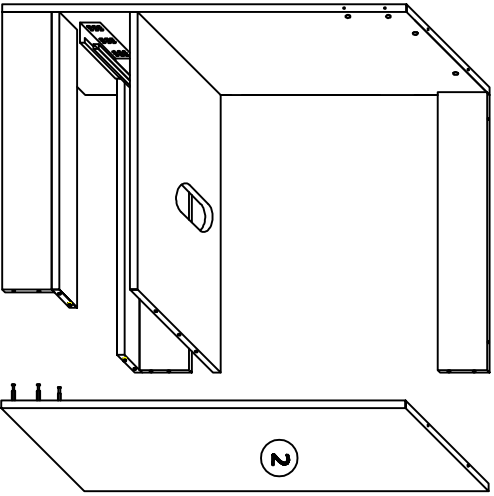


HARDWARE LIST

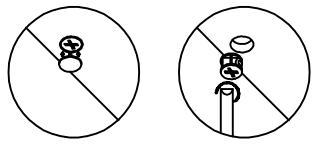
A	13PCS	
C	13PCS	
M	4PCS	

Drainage hole on board ⑧ is far from vanity doors.

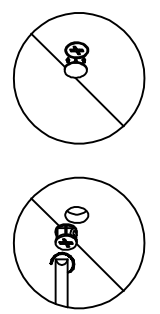
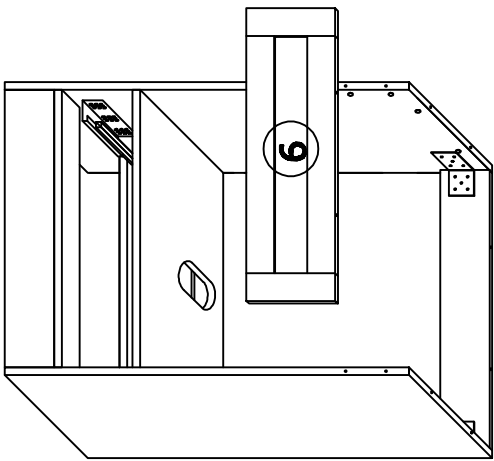
STEP 5



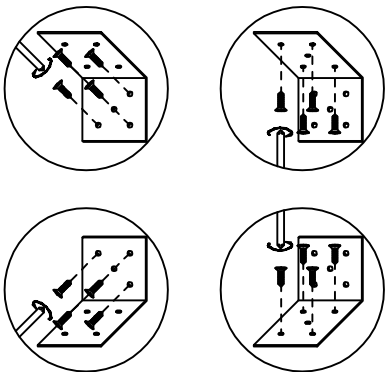
HARDWARE LIST	
A	13 PCS
C	13 PCS



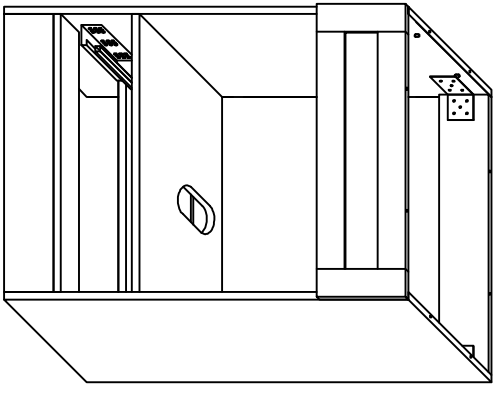
STEP 6



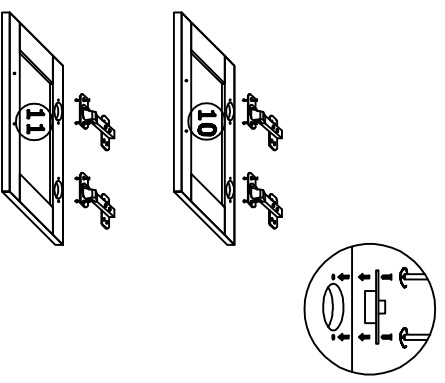
HARDWARE LIST	
K	2PCS
E	16PCS
A	4PCS
C	4PCS



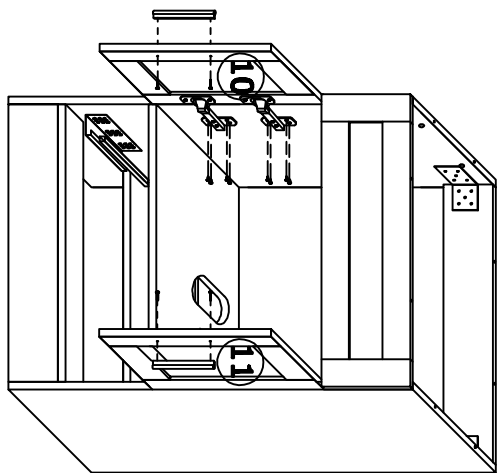
STEP 7



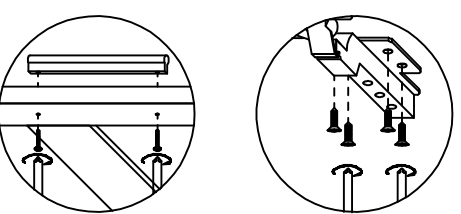
HARDWARE LIST	
E	8PCS
D	4PCS



STEP 8

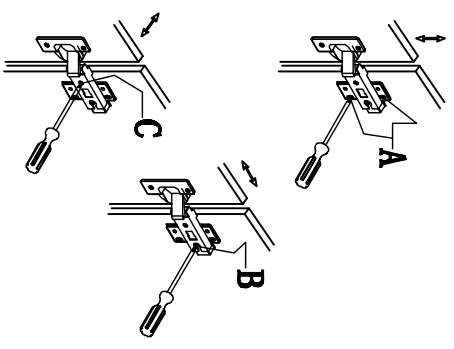
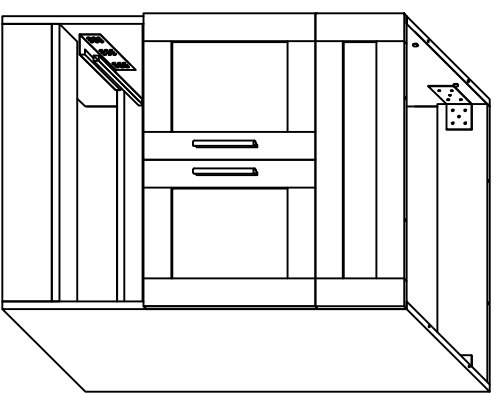


HARDWARE LIST	
E	16PCS
F	4PCS
I	2PCS



STEP 9

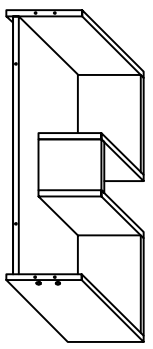
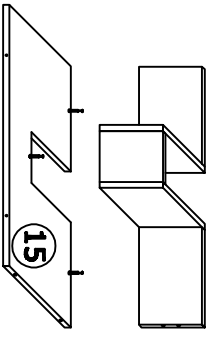
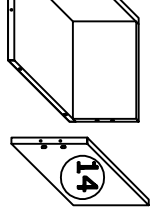
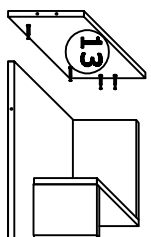
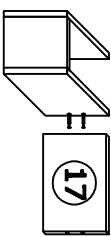
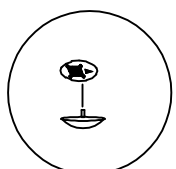
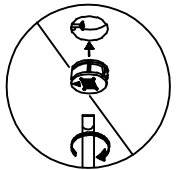
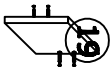
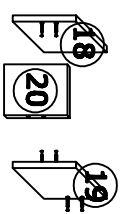
- A. Height adjustment;
- B. Depth adjustment;
- C. Side to side adjustment.



HARDWARE LIST



STEP 10

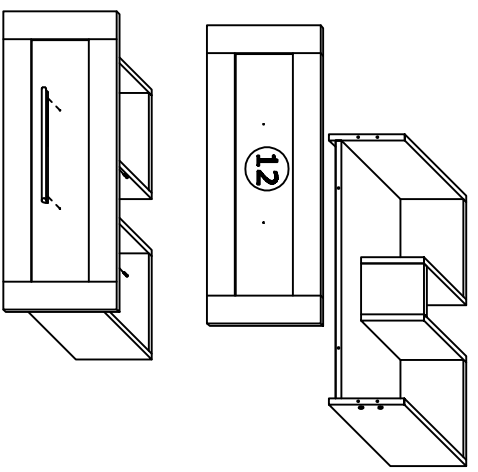


HARDWARE LIST

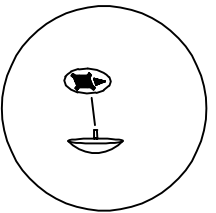
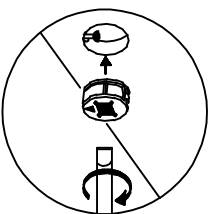
- A 19PCS
- C 19PCS



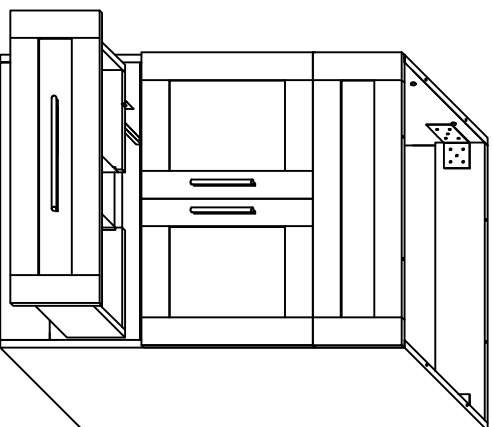
STEP 11



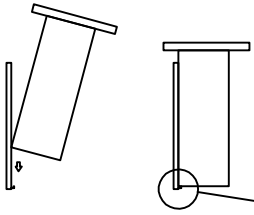
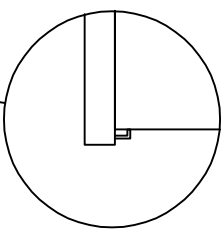
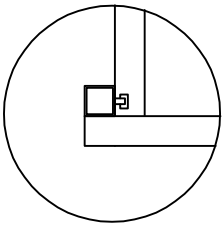
HARDWARE LIST	
A	6PCS
C	6PCS
F	2PCS
J	1PC



STEP 12



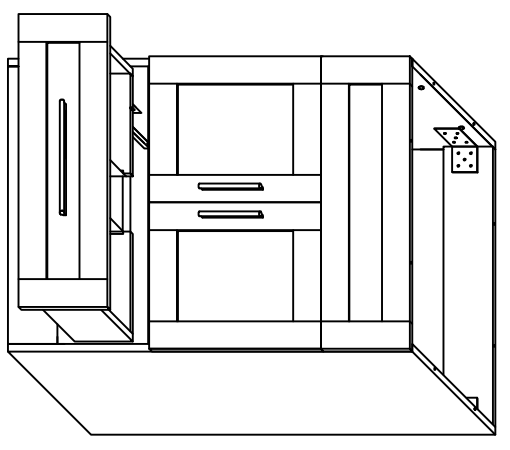
HARDWARE LIST



step 2

step 1

STEP 13

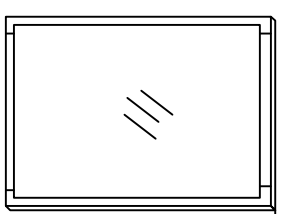


HARDWARE LIST  
E 2 PCS

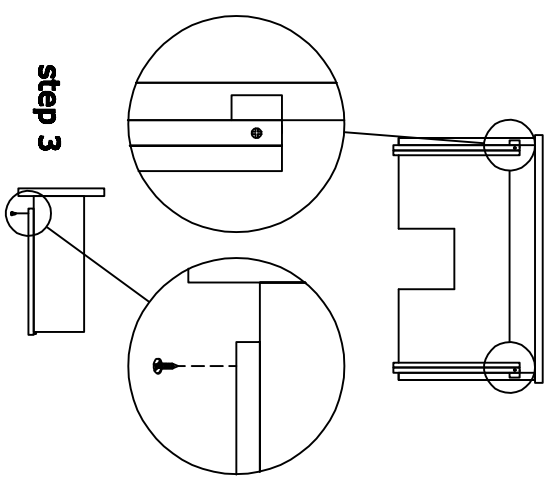


STEP 14

Drill holes accordingly



1900mm(suggested)

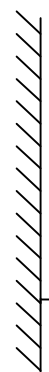


HARDWARE LIST

G 2PCS  
H 2PCS

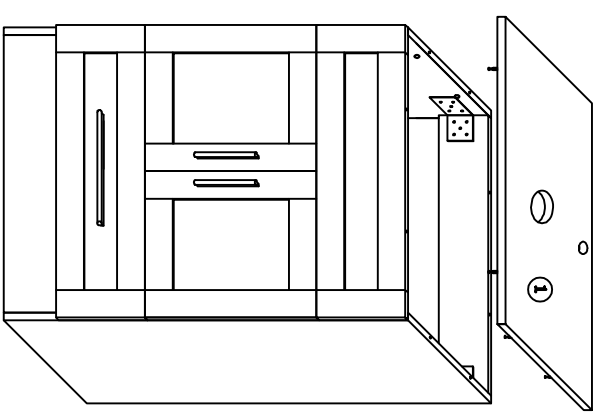
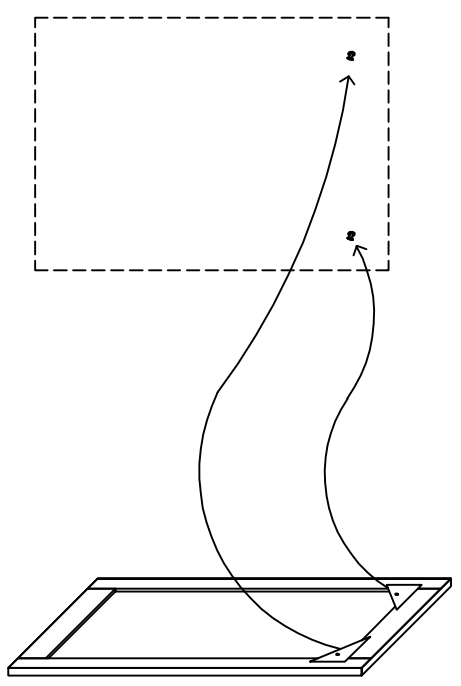


STEP 16



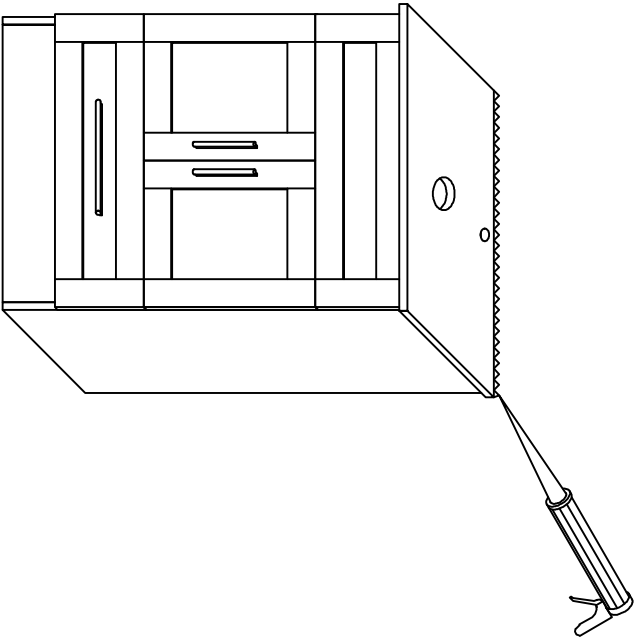
HARDWARE LIST

HARDWARE LIST  
A 6PCS  
C 6PCS



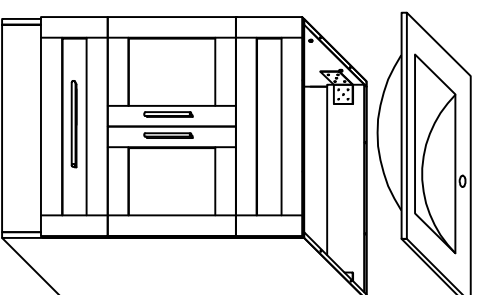
Vanity Top's Material  
Optional: Wooden;  
ASIN; Phoenix Stone;  
ASIN; Ceramic: ASIN;

STEP 17

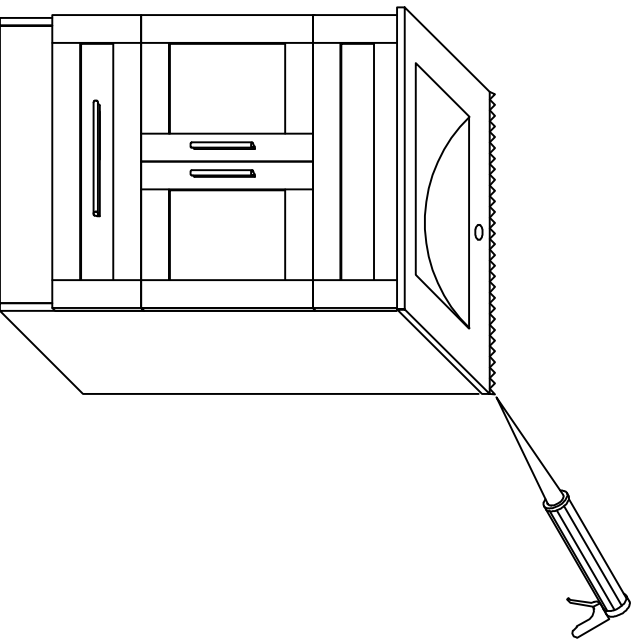


STEP 18

Please follow the instruction below for ceramic vessel suit if the vessel is needed (Vessel sink combo sold separately):  
1. Undo step 16 to remove vanity top board #18.  
2. Please compare with the picture below and follow the instruction manual to assemble ceramic vessel.



STEP 19



STEP 20

