

# ELECWISH®

Bathroom Vessel Sink

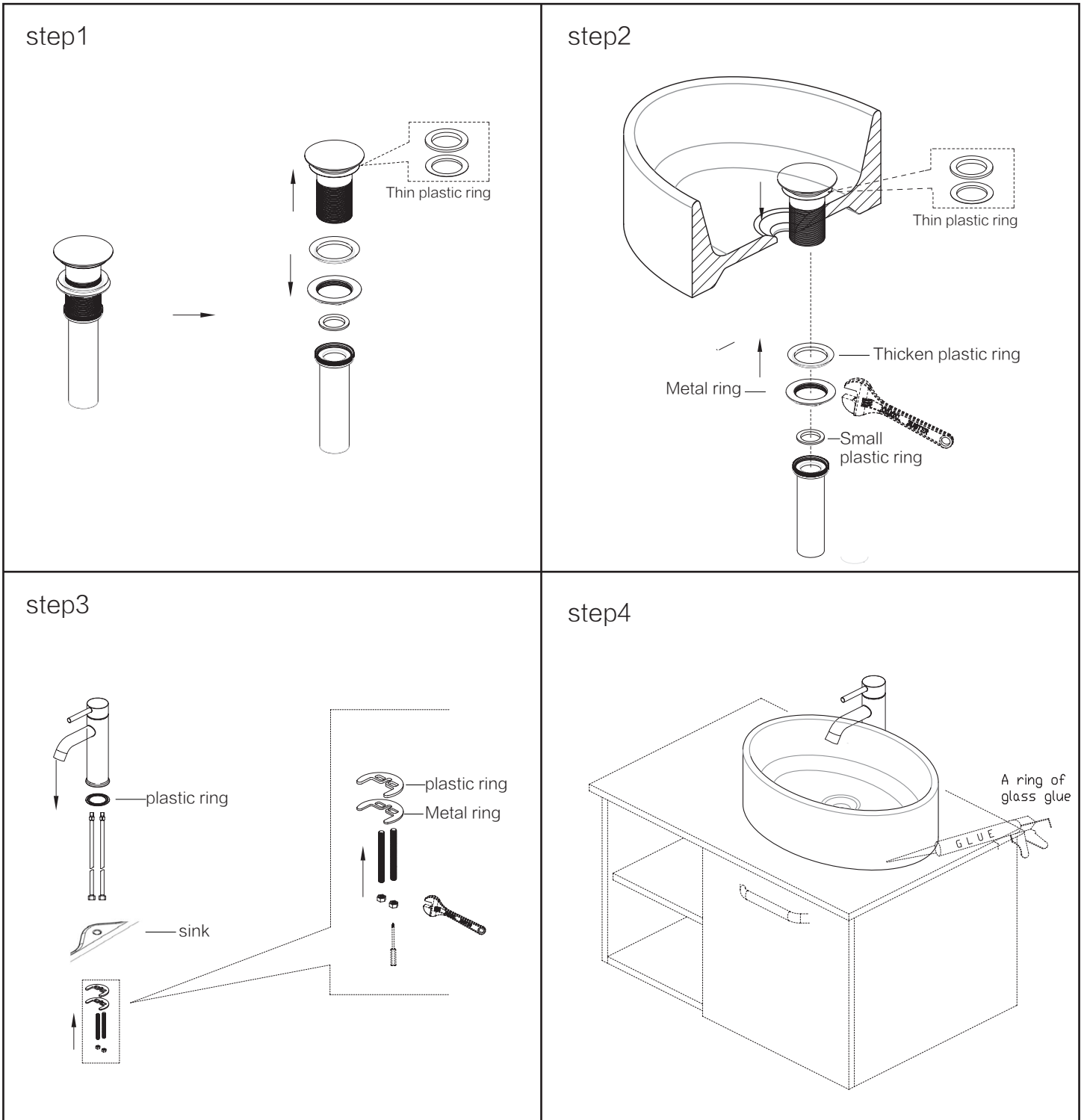


[www.elecwish.com](http://www.elecwish.com)

# Package list

|   |  |   |
|---|--|---|
|  <p>x1</p>   |  <p>x1</p>    |  <p>x1</p>   |
|  <p>x1</p>  |  <p>x1</p> |  <p>x1</p> |
|   |  <p>x1</p> |  <p>x1</p> |
|  <p>x1</p> |  |   |

# Basin&Faucet Installing



## Tip&Warnings

Don't over-tighten the water lines. It could damage the faucet. Certain dimensions of your vanity must be exact. The diameter of the tapping hole needs to be 1 3/8 in. The gap between the tapping hole and the drain hole needs to be 10 3/4 in.