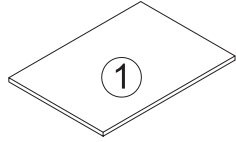


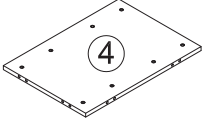
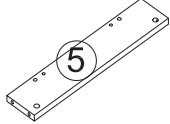
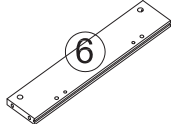
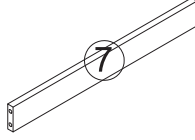
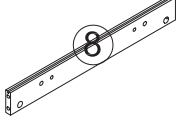
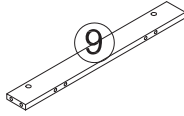
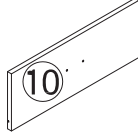
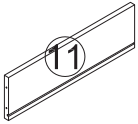
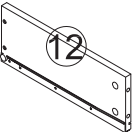
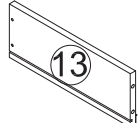

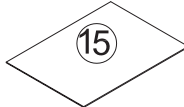


**US-HW1081**  
**Bedside Table**

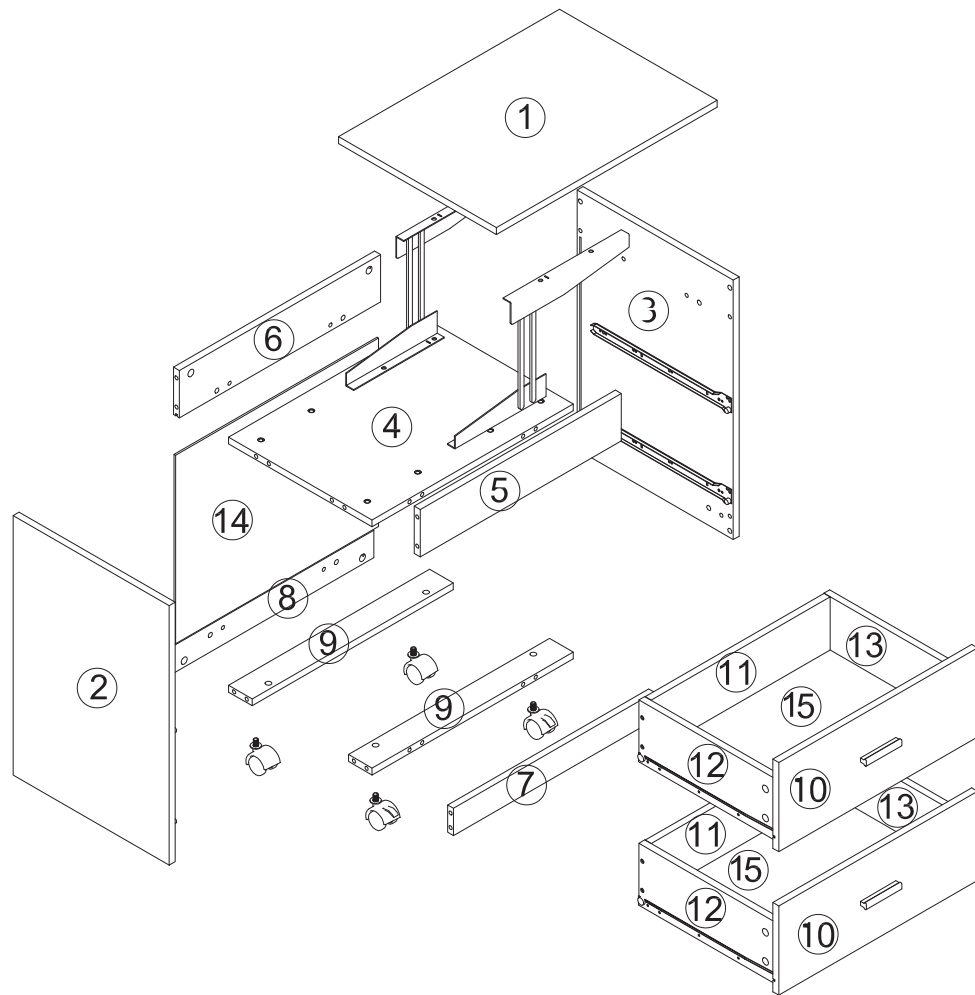
## Board Identification

Not actual size

 ① x 1	 ② x 1	 ③ x 1	 ④ x 1
 ⑤ x 1	 ⑥ x 1	 ⑦ x 1	 ⑧ x 1
 ⑨ x 2	 ⑩ x 2	 ⑪ x 2	 ⑫ x 2
 ⑬ x 2	 ⑭ x 1	 ⑮ x 2	


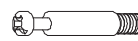







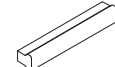


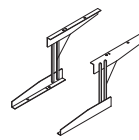
# Board Identification

Not actual size



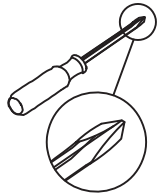
# Hardware List

Actual size

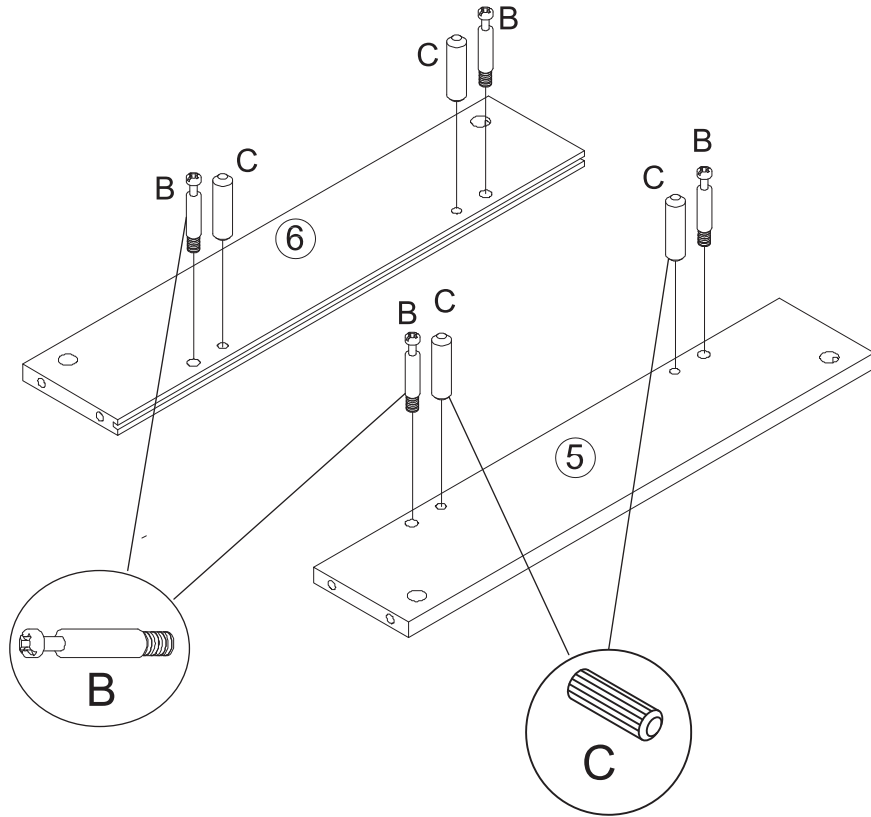
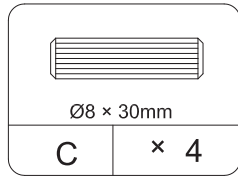
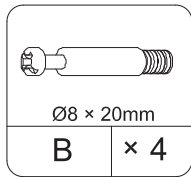
 Ø15 × 10mm A × 32	 B × 32	 Ø8 × 30mm C × 24	 M6*12mm × 8
 E × 4	 M4*22mm F × 4	 M3.5*35mm G × 8	 H × 4
 I × 1	 J × 2	 K × 2	 L × 2
 M × 1			

PRODUCT ASSEMBLY

STEP 1



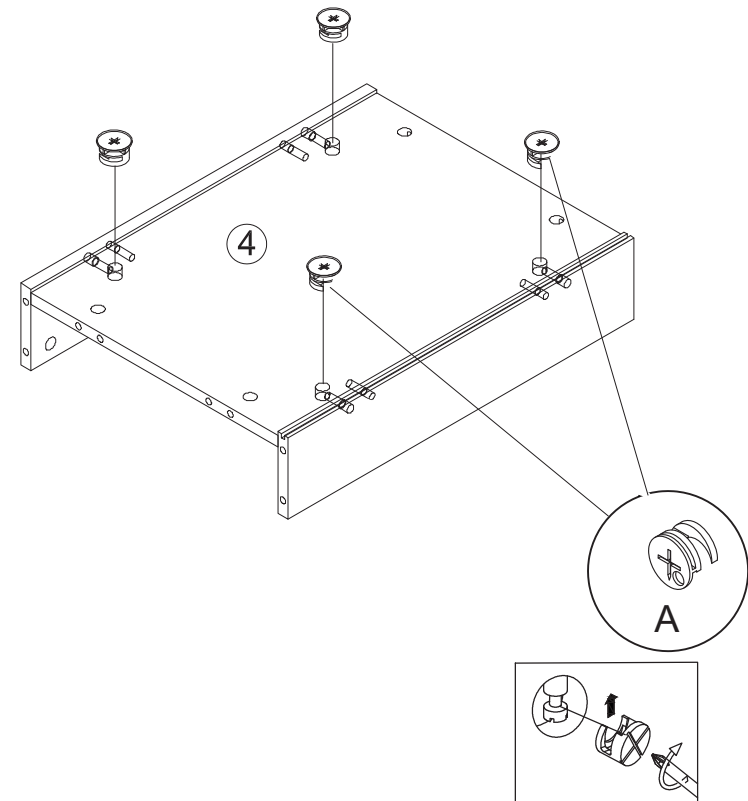
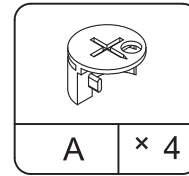
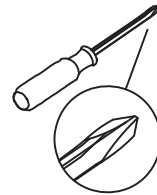
(screwdriver not included)



5

PRODUCT ASSEMBLY

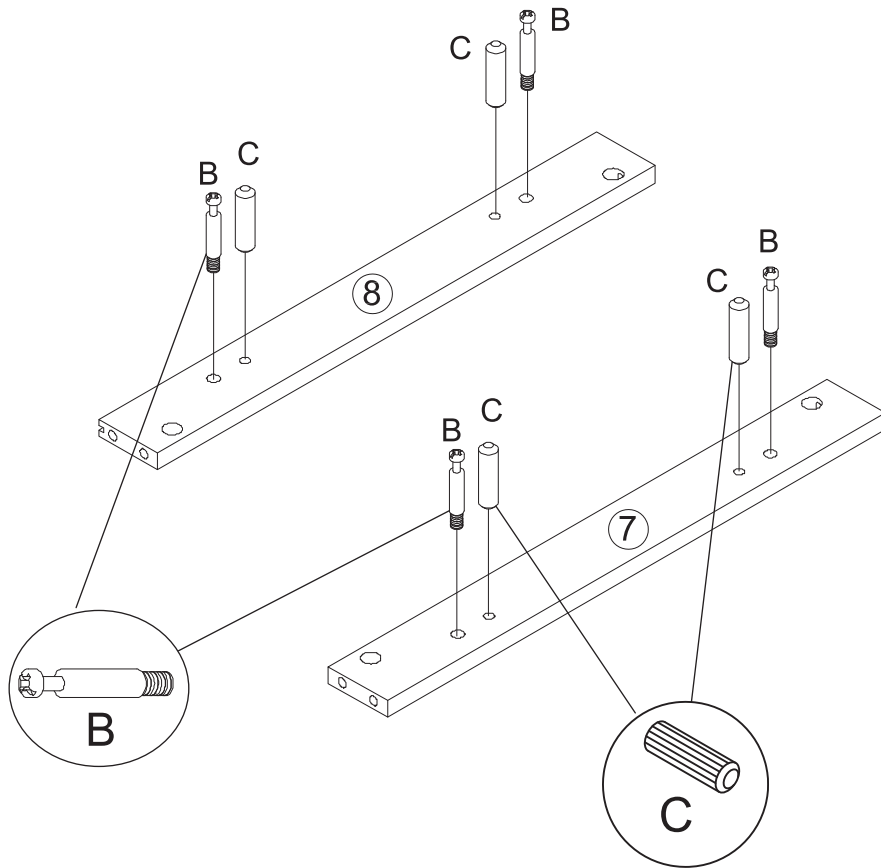
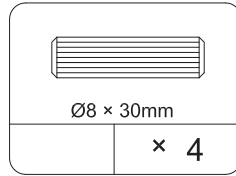
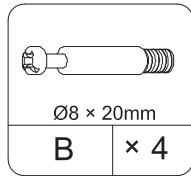
STEP 2



6

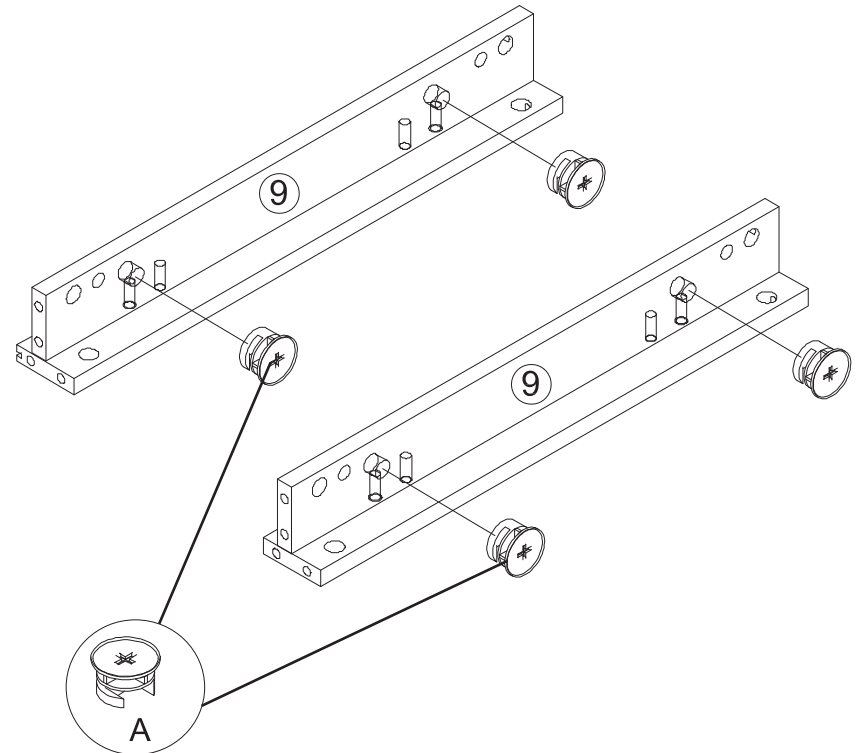
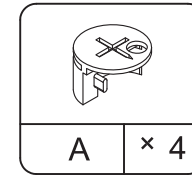
**PRODUCT ASSEMBLY**

**STEP 3**



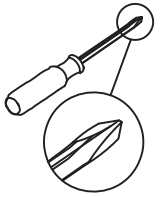
**PRODUCT ASSEMBLY**

**STEP 4**

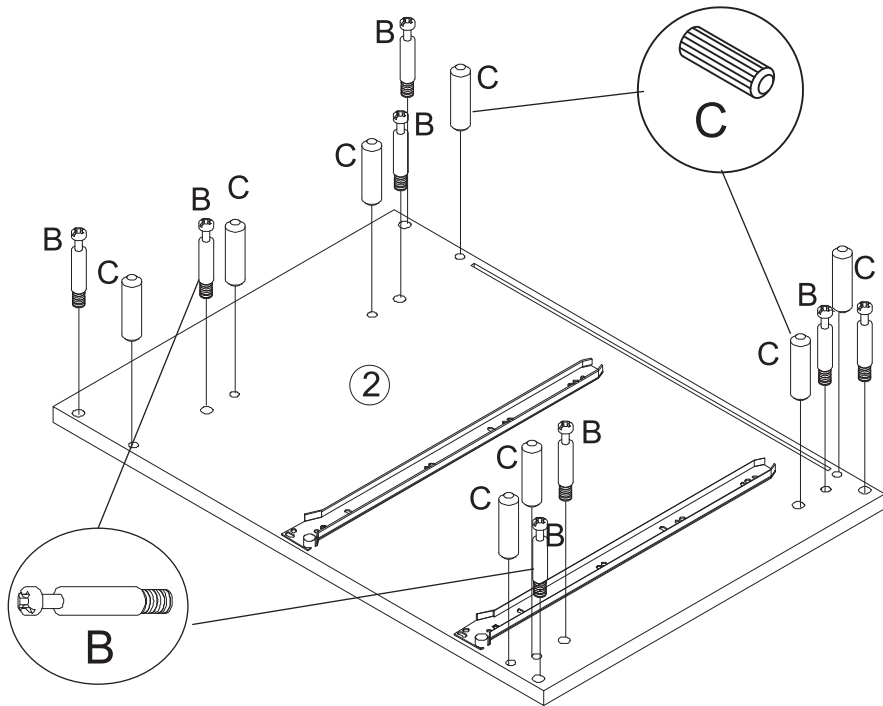
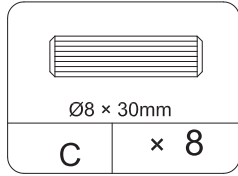
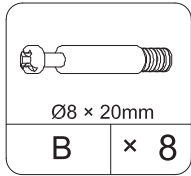


PRODUCT ASSEMBLY

STEP 5

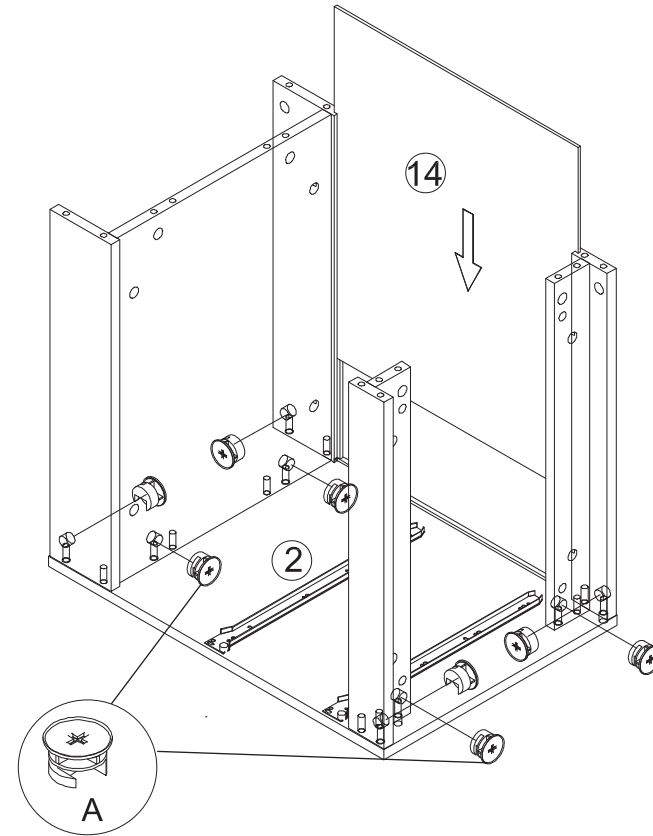
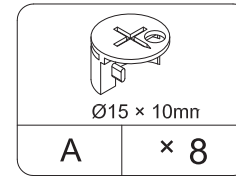
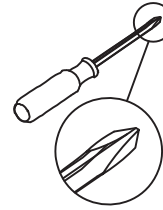


(screwdriver not included)



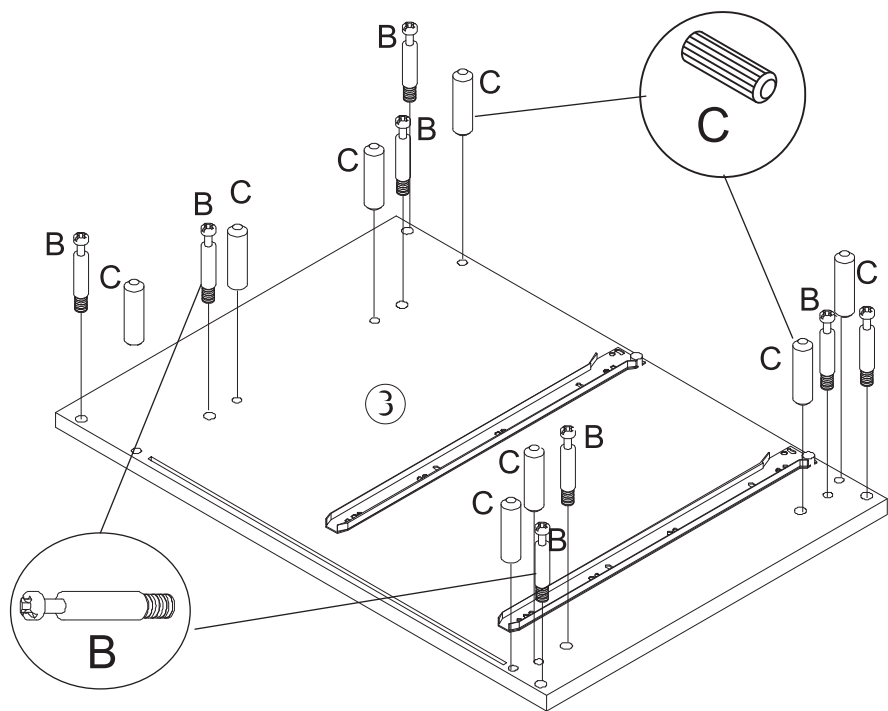
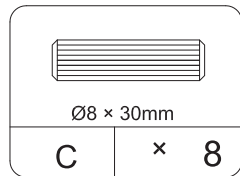
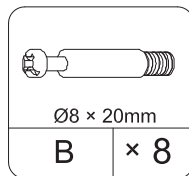
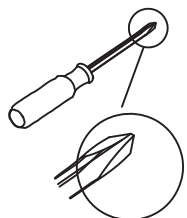
PRODUCT ASSEMBLY

STEP 6



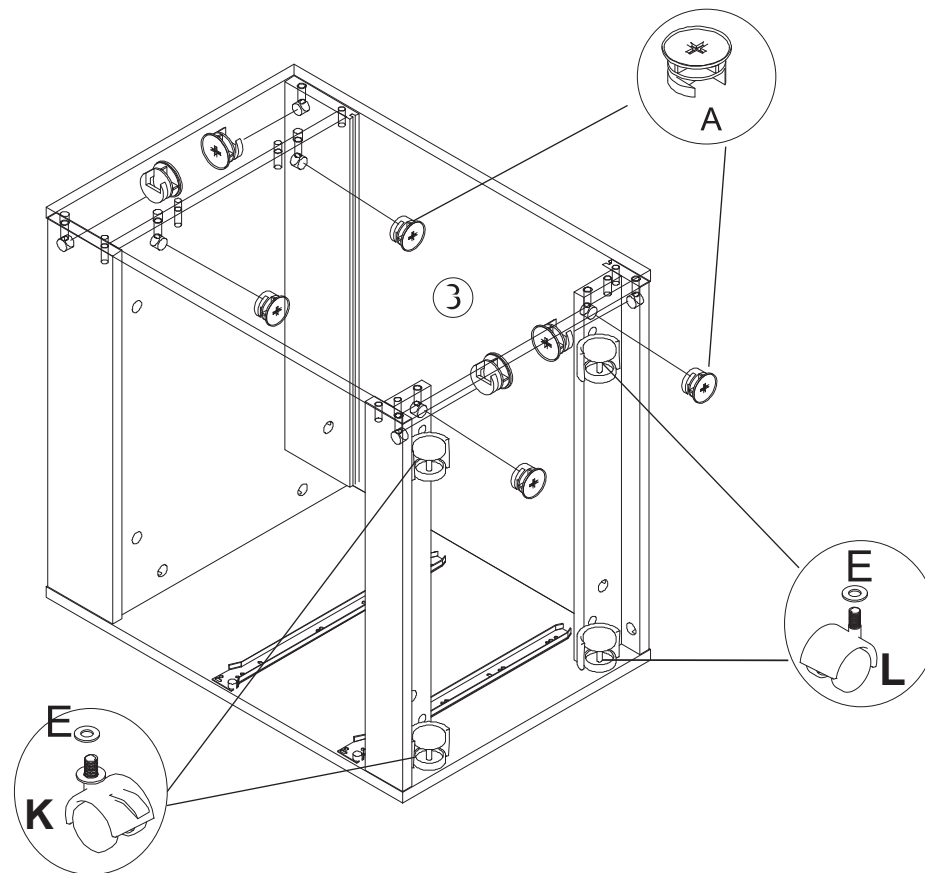
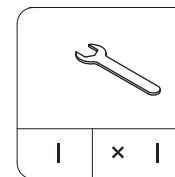
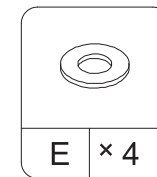
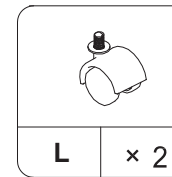
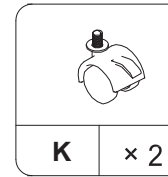
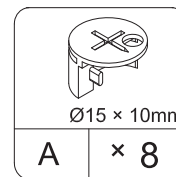
PRODUCT ASSEMBLY

STEP 7



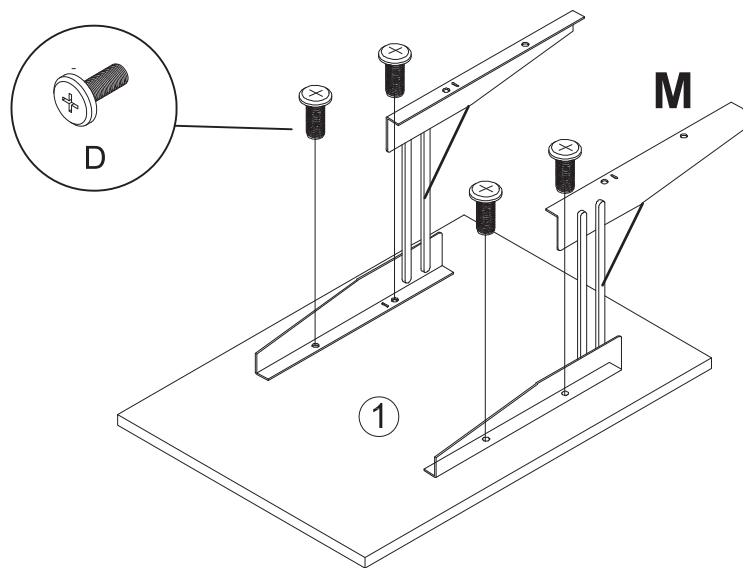
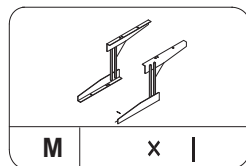
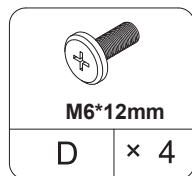
PRODUCT ASSEMBLY

STEP 8



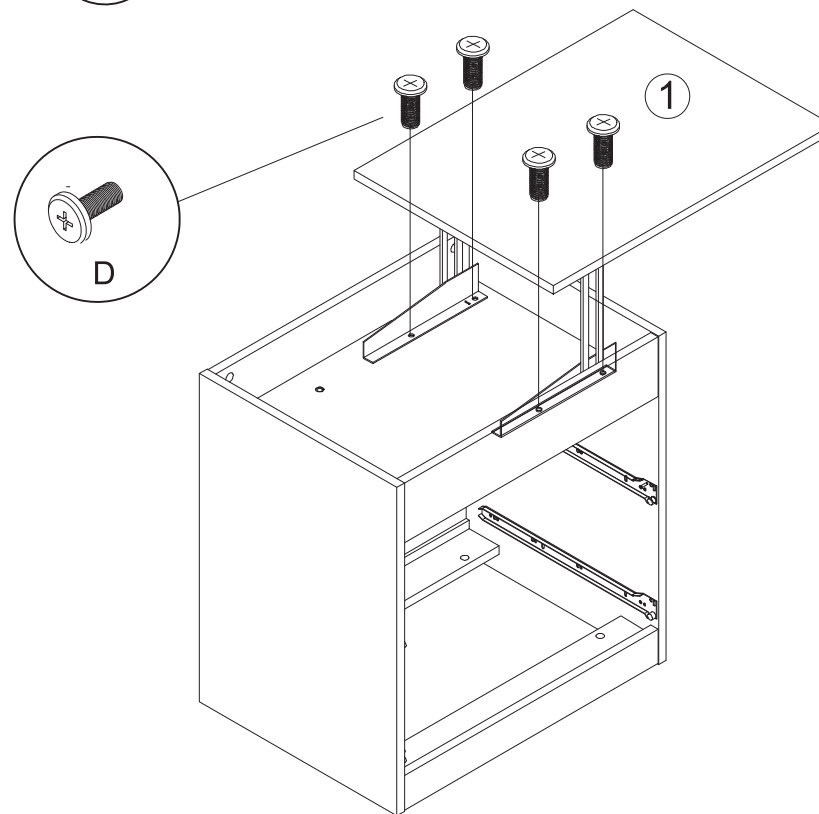
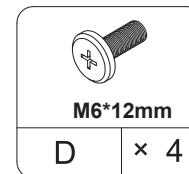
PRODUCT ASSEMBLY

STEP 9



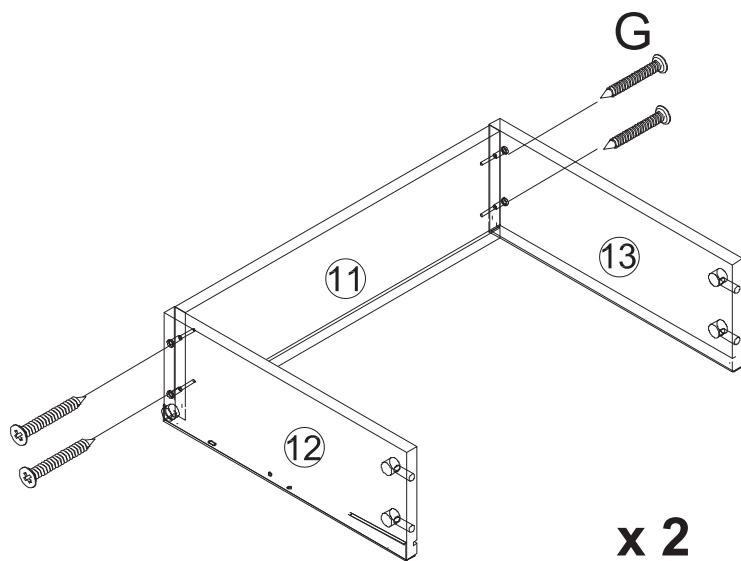
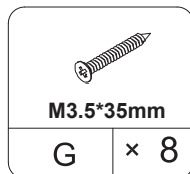
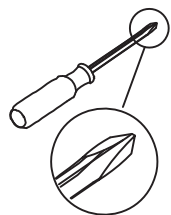
PRODUCT ASSEMBLY

STEP 10



PRODUCT ASSEMBLY

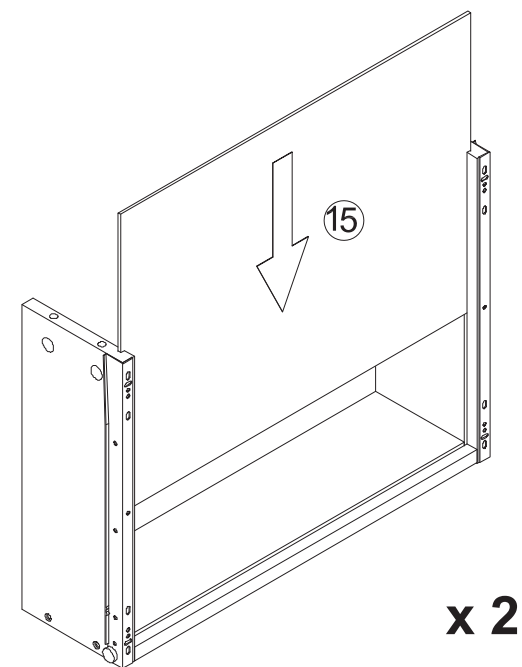
STEP 11



15

PRODUCT ASSEMBLY

STEP 12

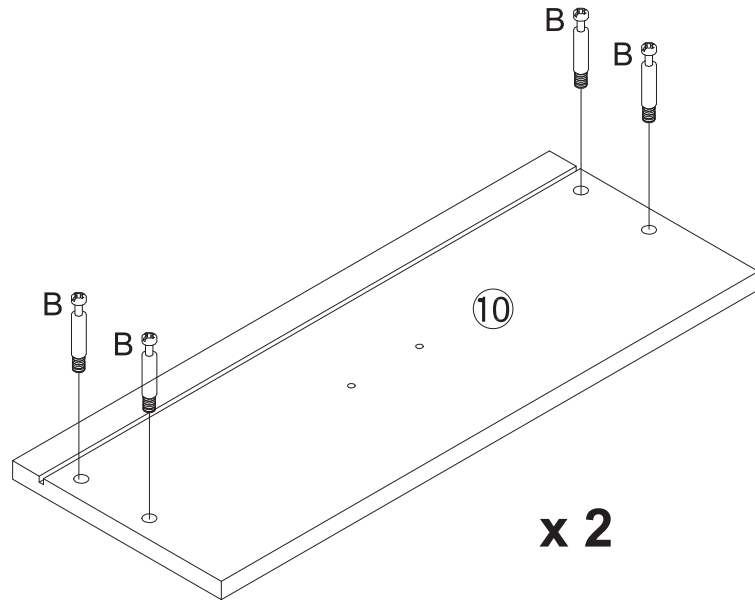
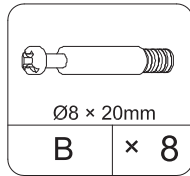
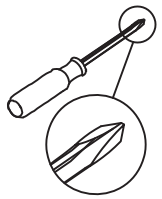


16



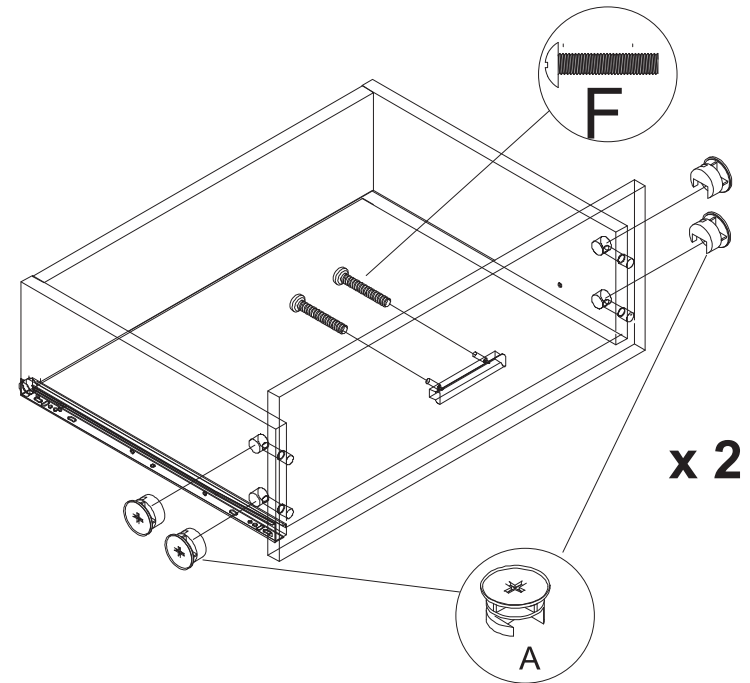
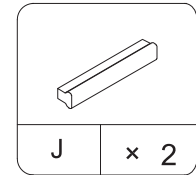
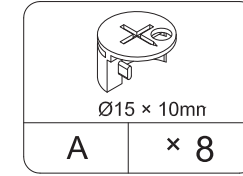
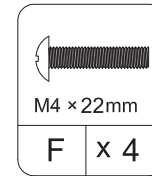
PRODUCT ASSEMBLY

STEP 13



PRODUCT ASSEMBLY

STEP 14



STEP 15

