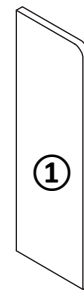
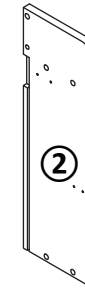


USER'S MANUAL
Wall Mounted Designer Floating Desk
US-HW1138

Board Identification



Left side board x1



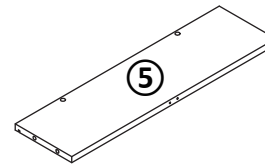
Right side board x1



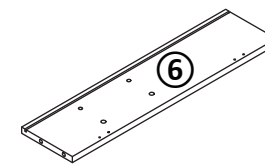
Left vertical board x1



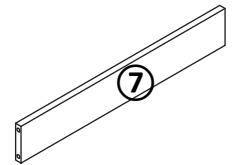
Right vertical board x1



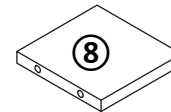
Board x1



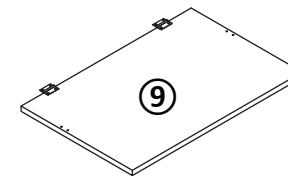
Bottom board x1



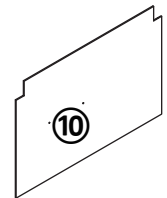
Back board x1



Middle shelf

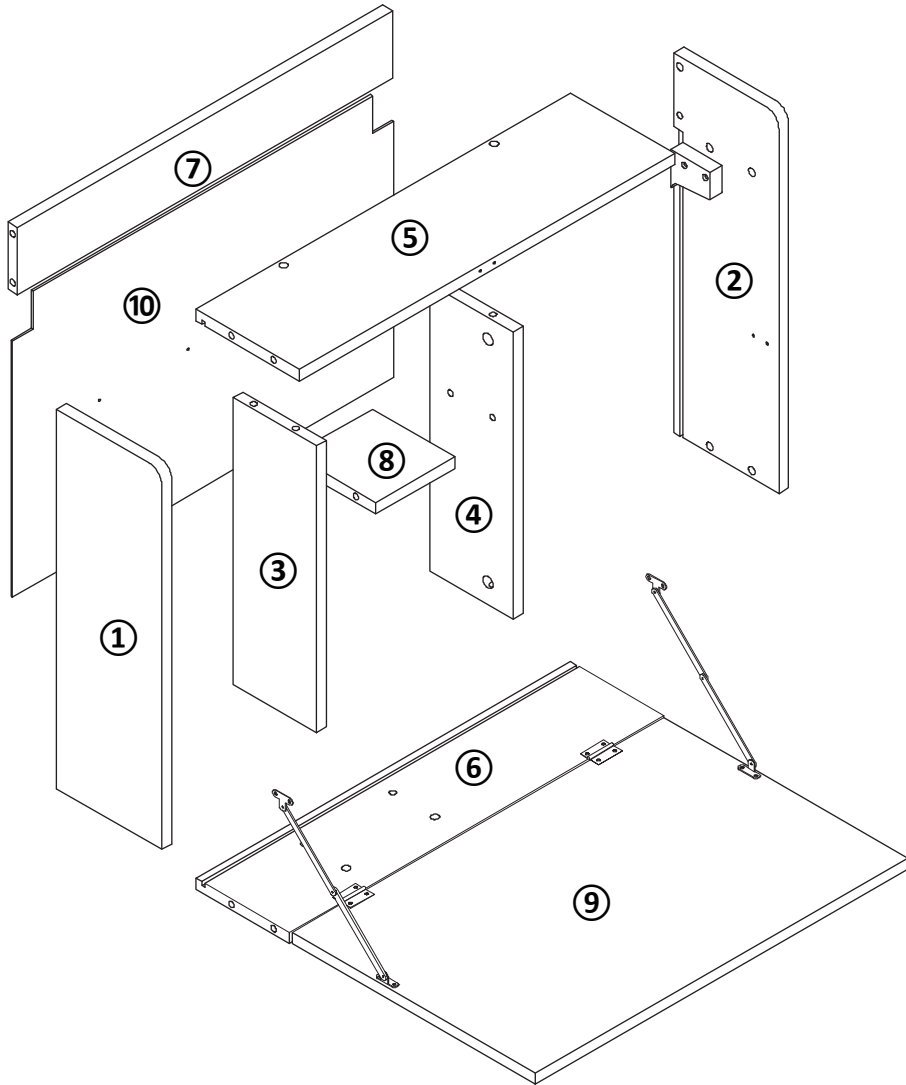


Desk panel

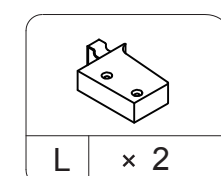
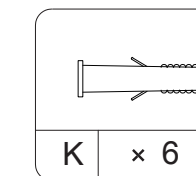
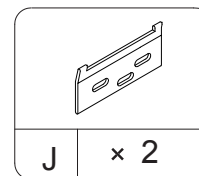
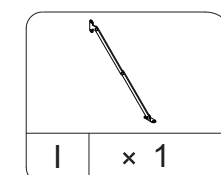
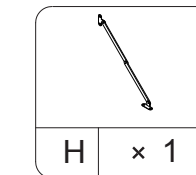
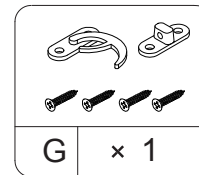
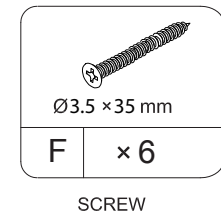
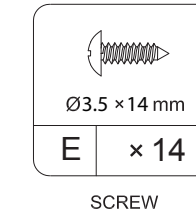
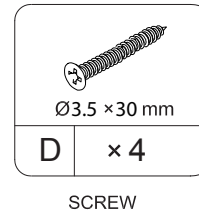
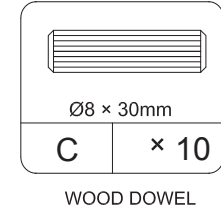
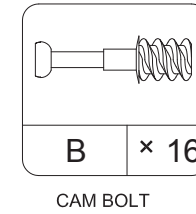
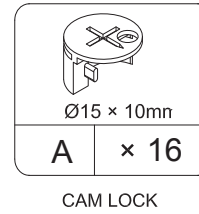


Back board x1

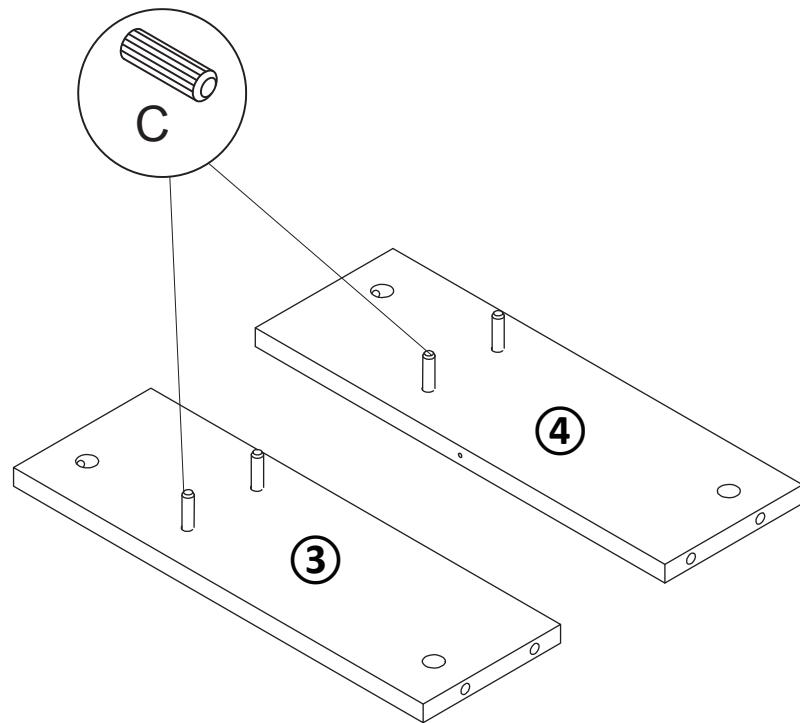
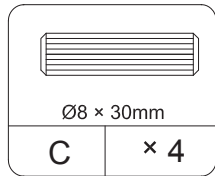
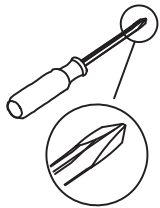
Board Identification



Hardware List

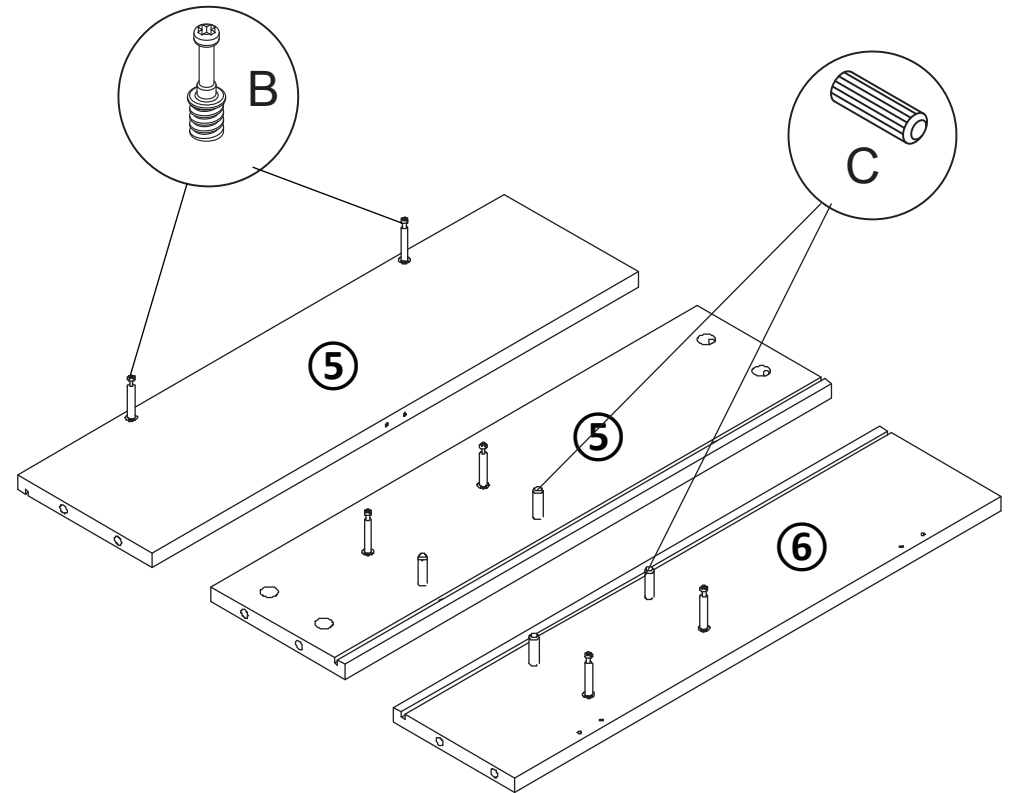
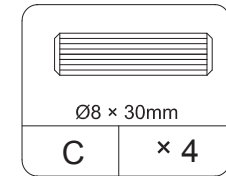
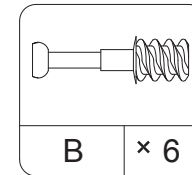


STEP 1



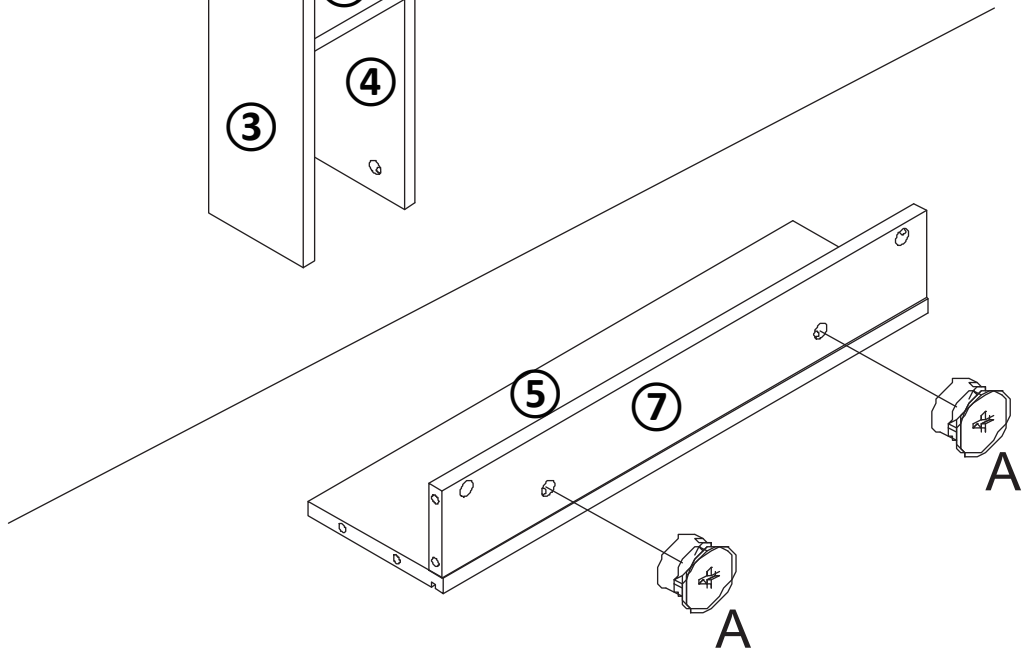
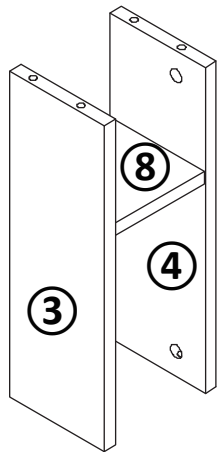
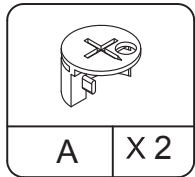
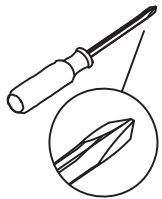
5

STEP 2

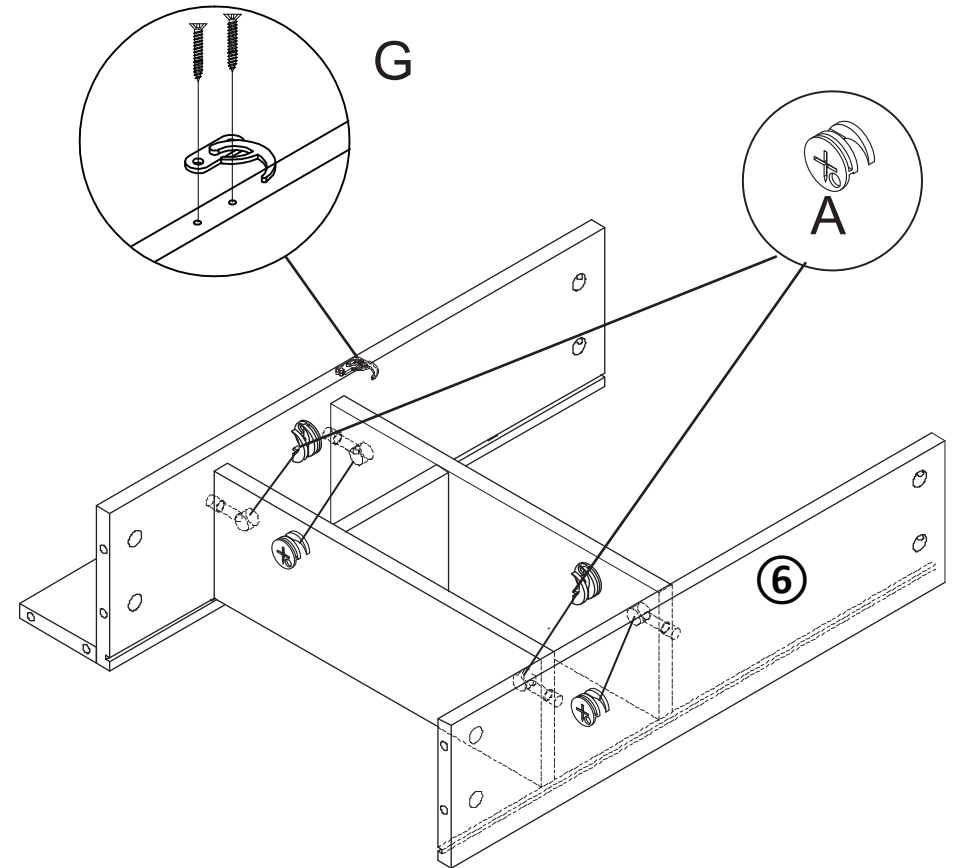
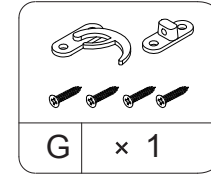
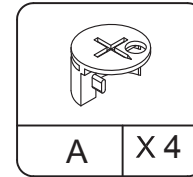
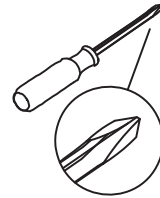


6

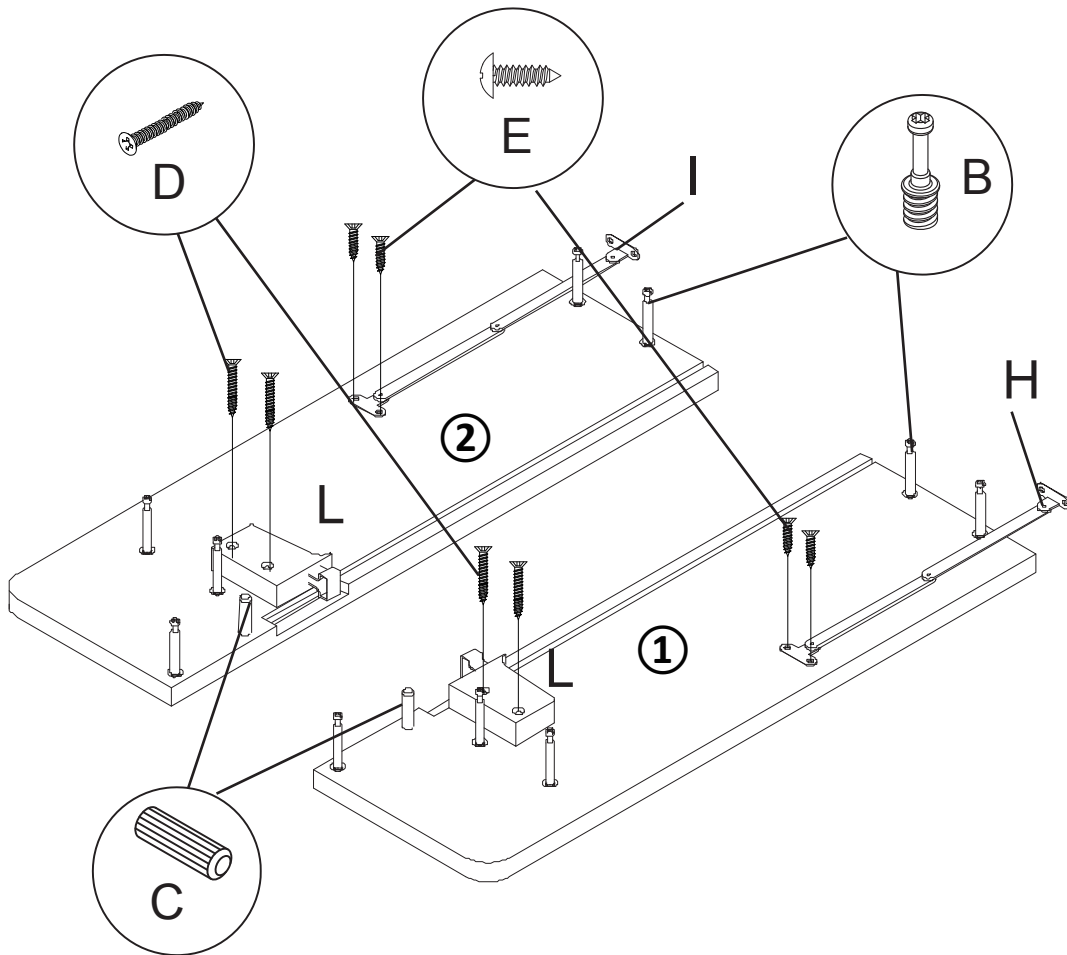
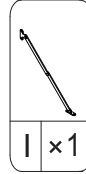
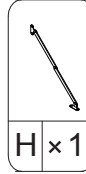
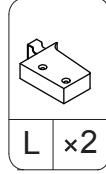
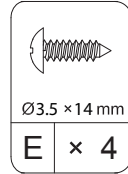
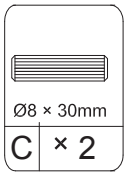
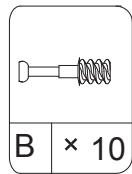
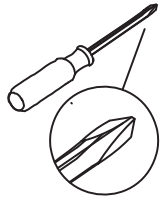
STEP 3



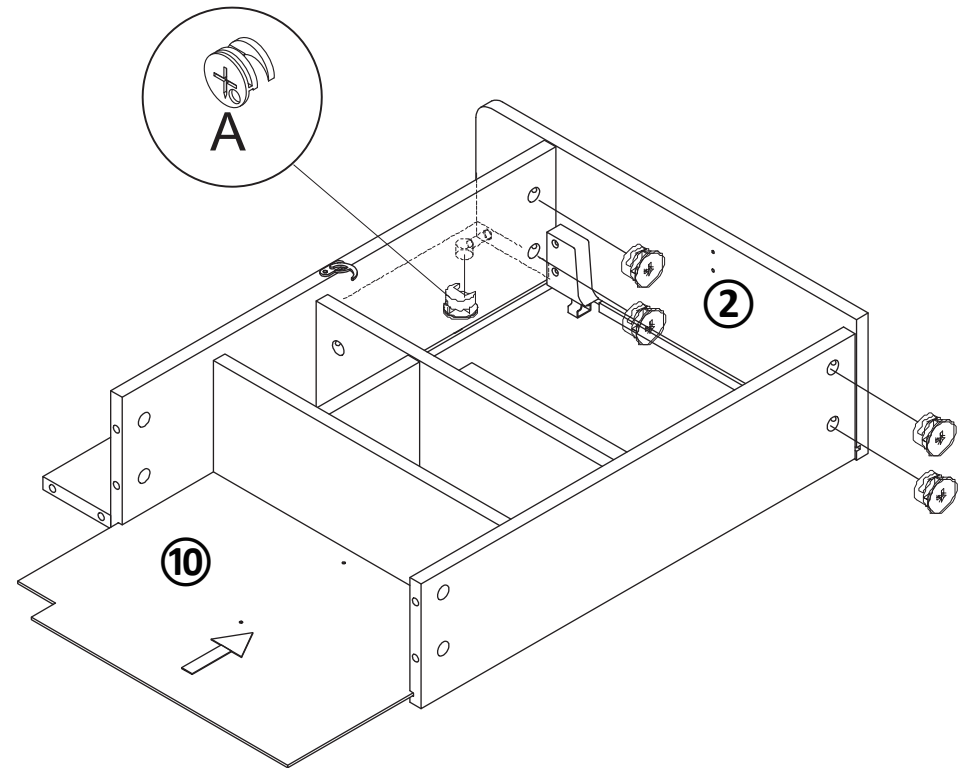
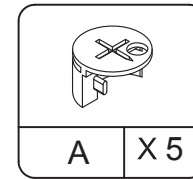
STEP 4



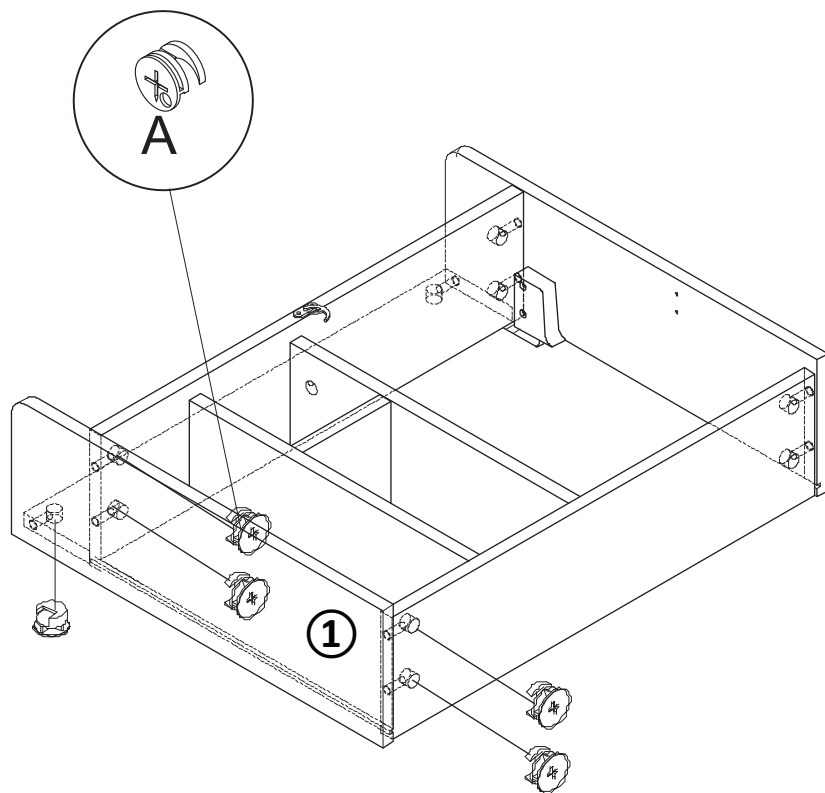
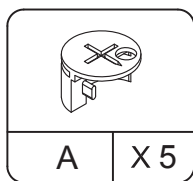
STEP 5



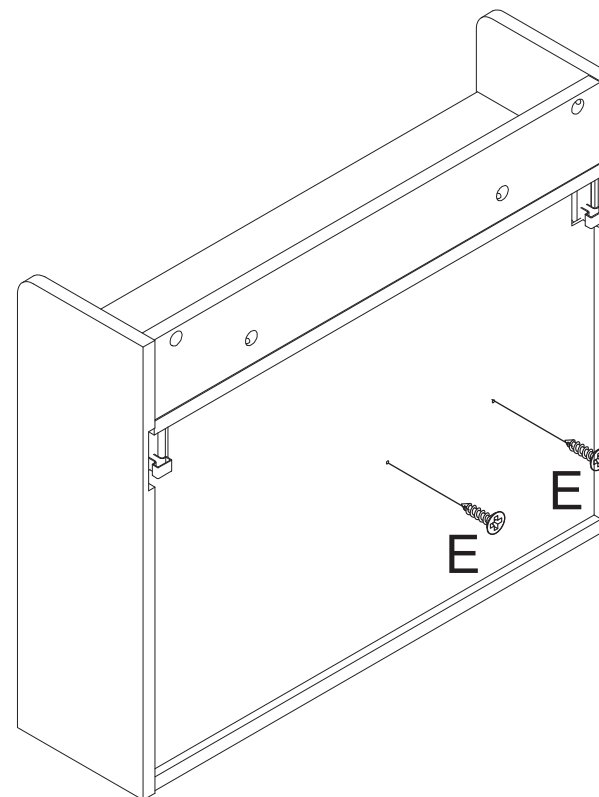
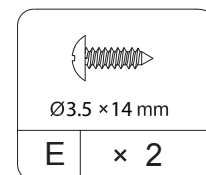
STEP 6



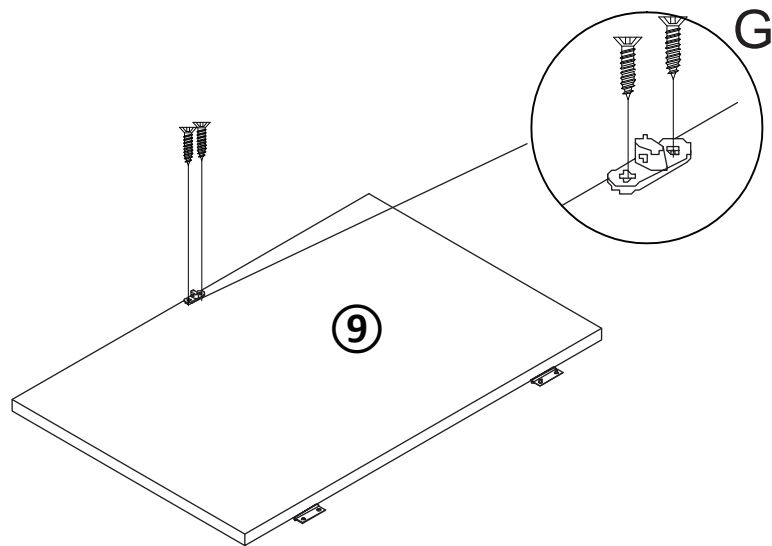
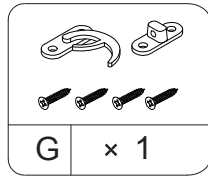
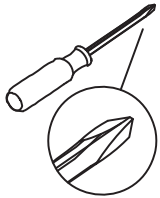
STEP 5



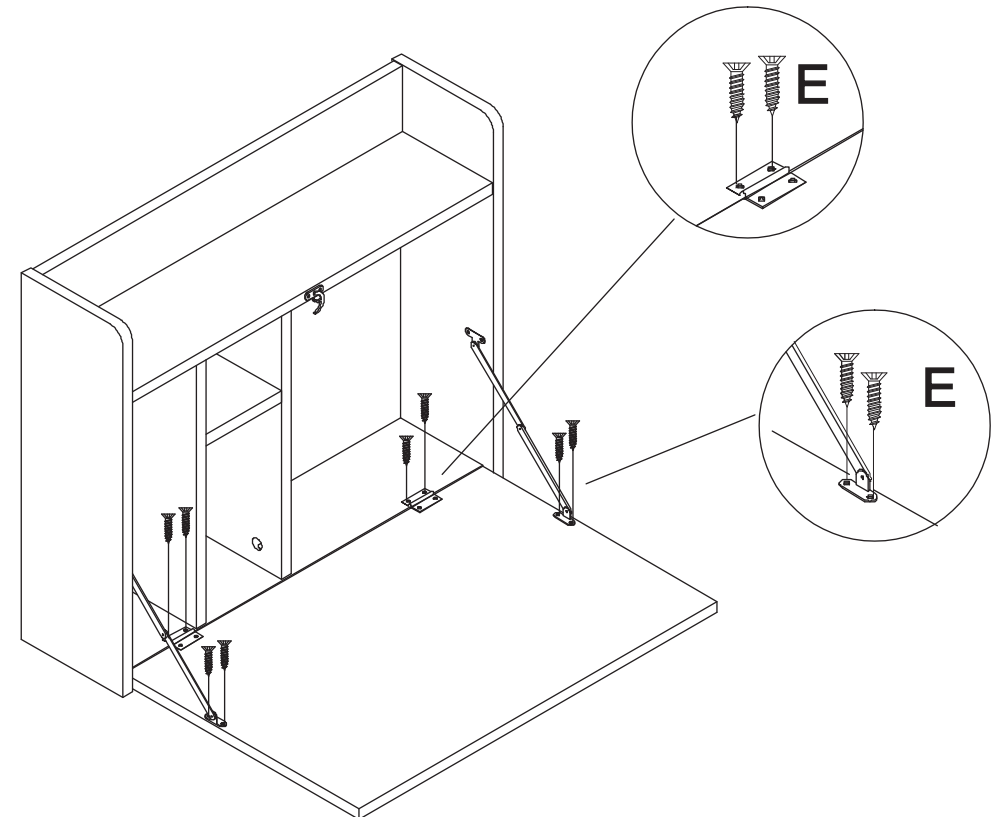
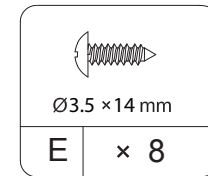
STEP 6



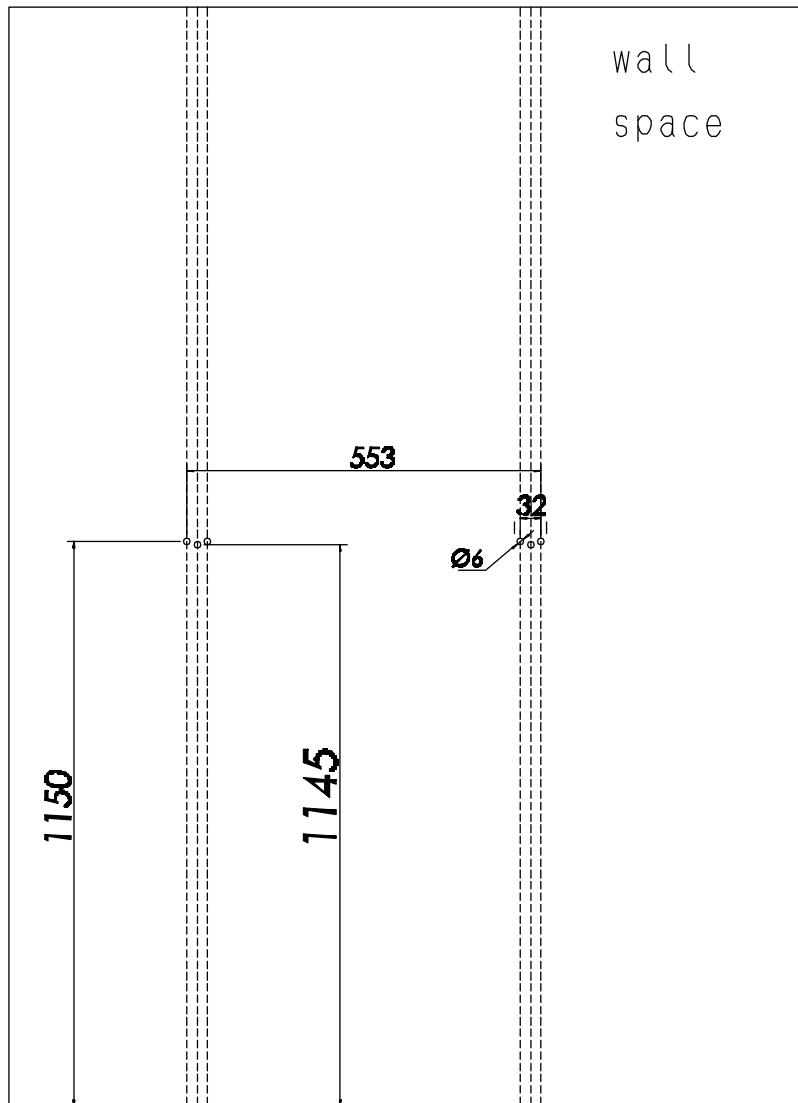
STEP 7



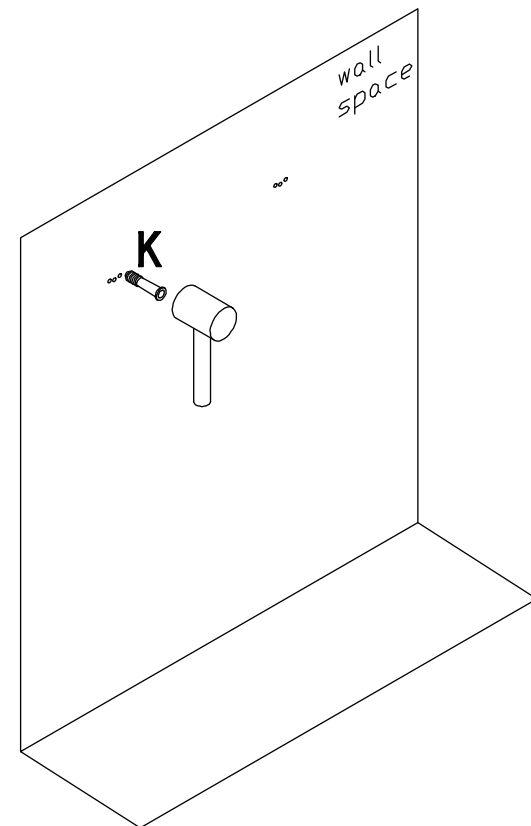
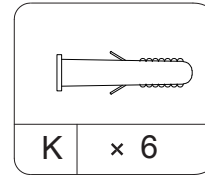
STEP 8



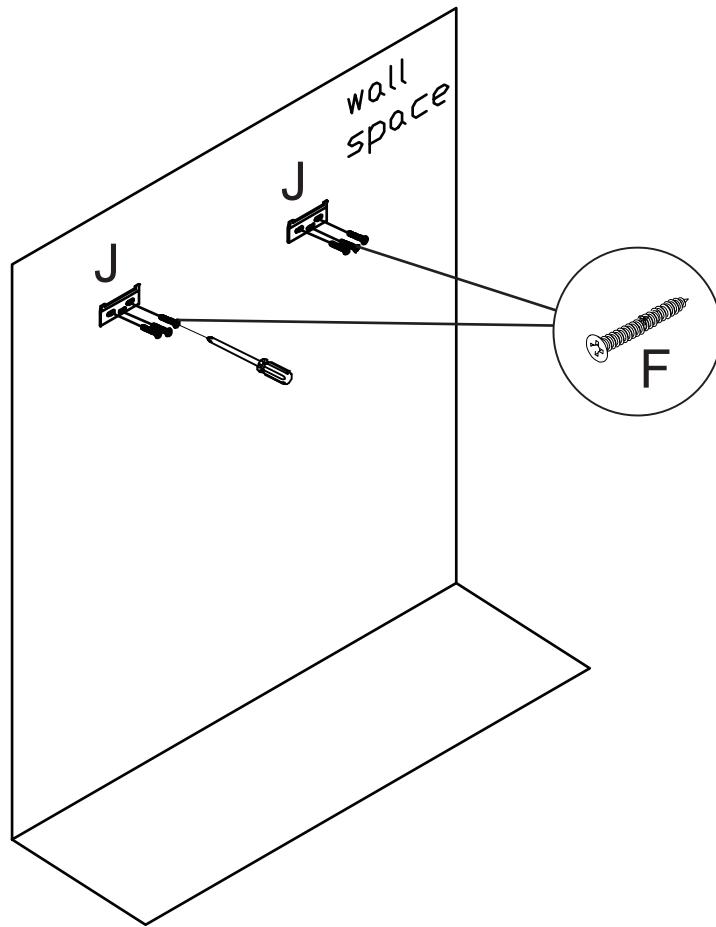
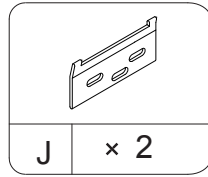
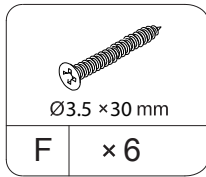
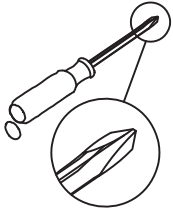
STEP 9



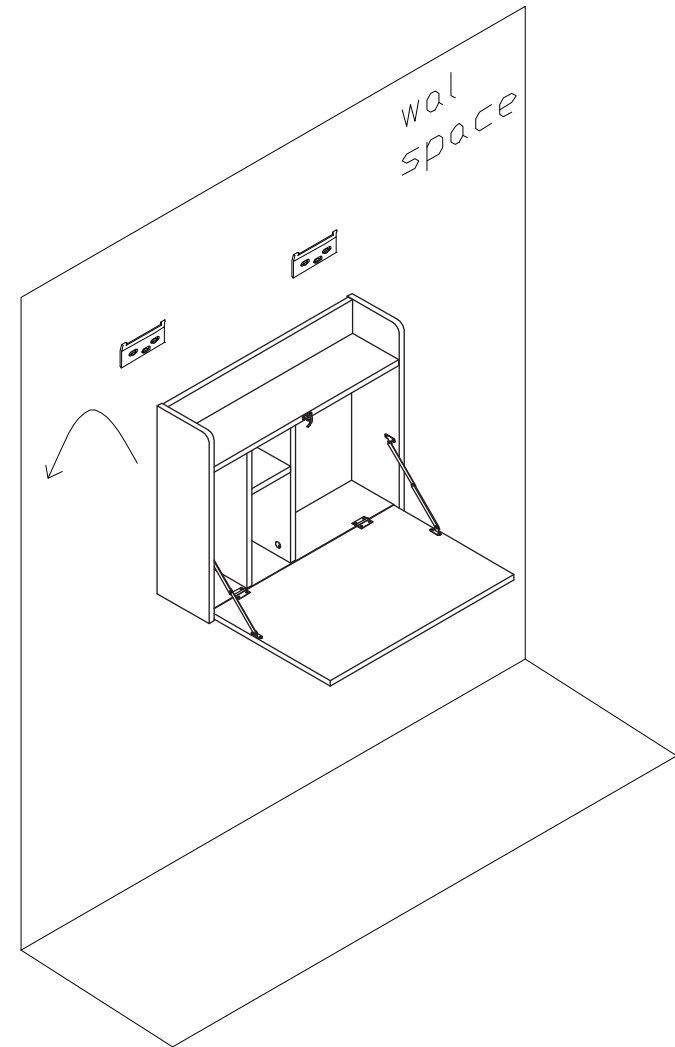
STEP 10



STEP 11



STEP 12



STEP 13

