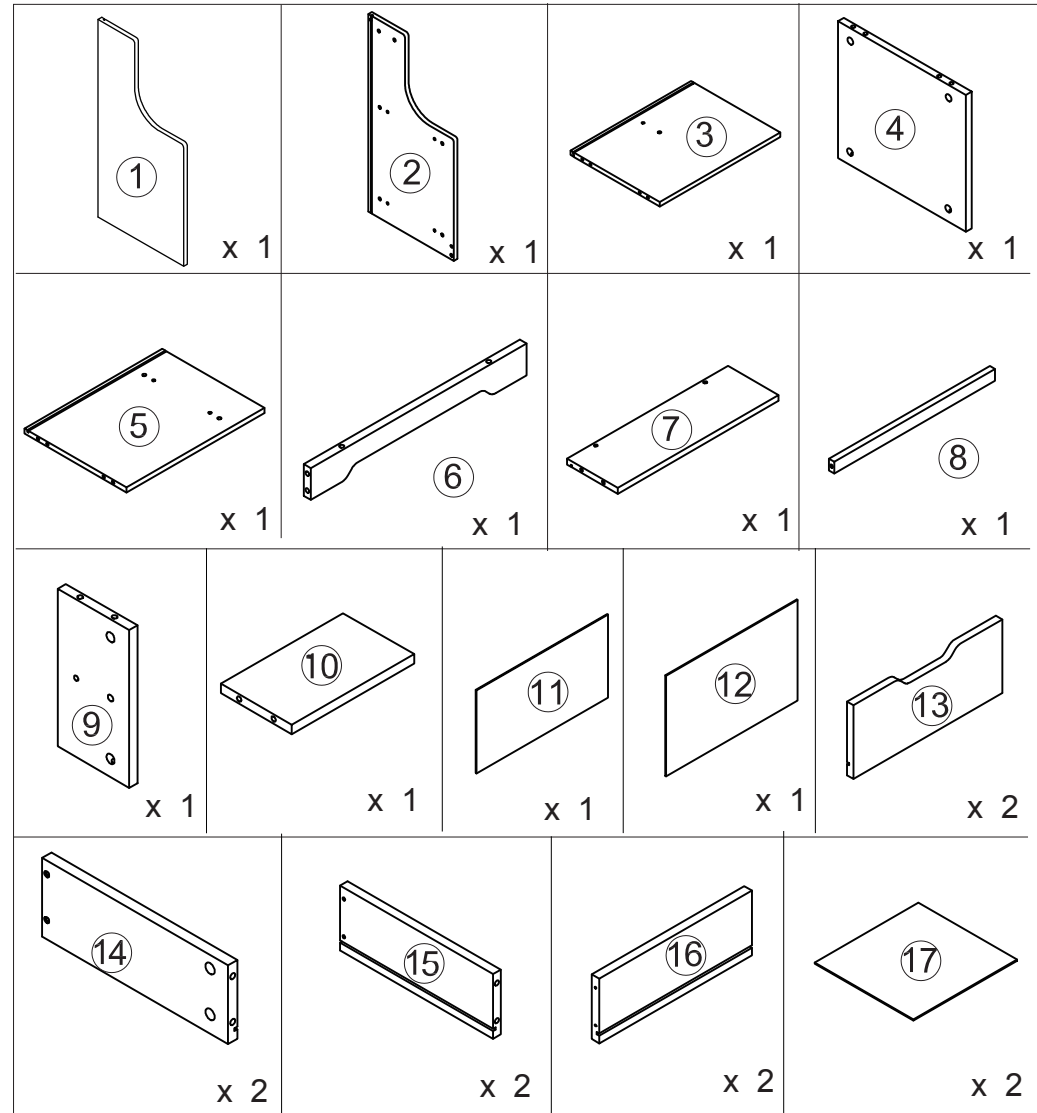


US-HW1147
Bedside Table

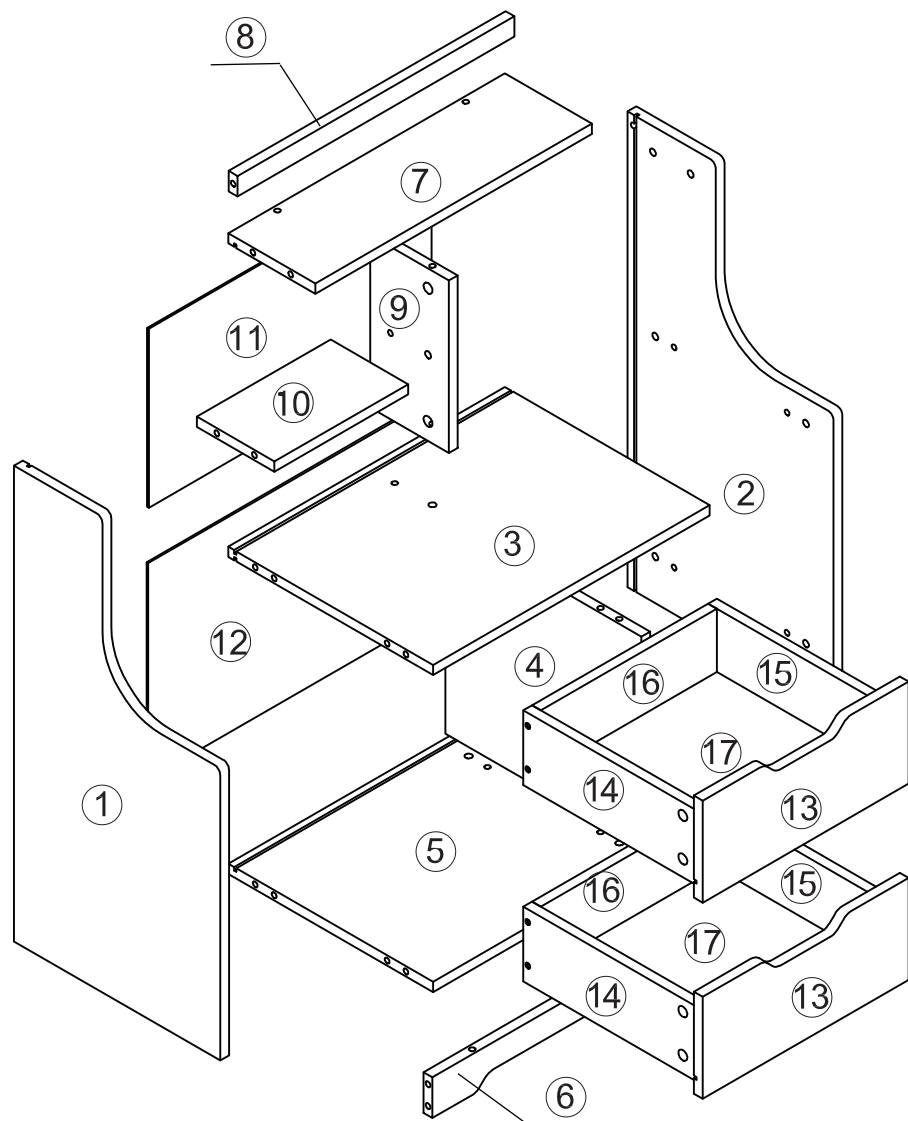
Board Identification

Not actual size




Board Identification

Not actual size




Hardware List

Actual size




Ø15 × 10mm

A	× 32
---	------




B	× 32
---	------



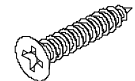
Ø8 × 30mm

C	× 22
---	------



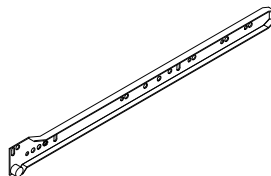
M3.5*40mm

D	× 8
---	-----

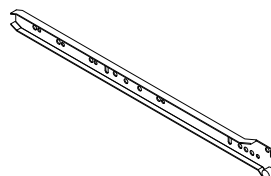


M3.5*12mm

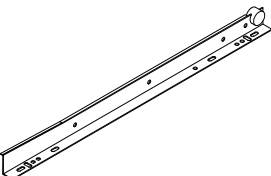
F	× 20
---	------



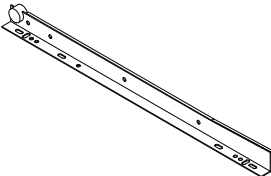
G	× 2
---	-----



H	× 2
---	-----



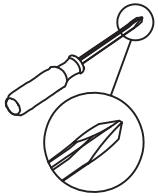
I	× 2
---	-----



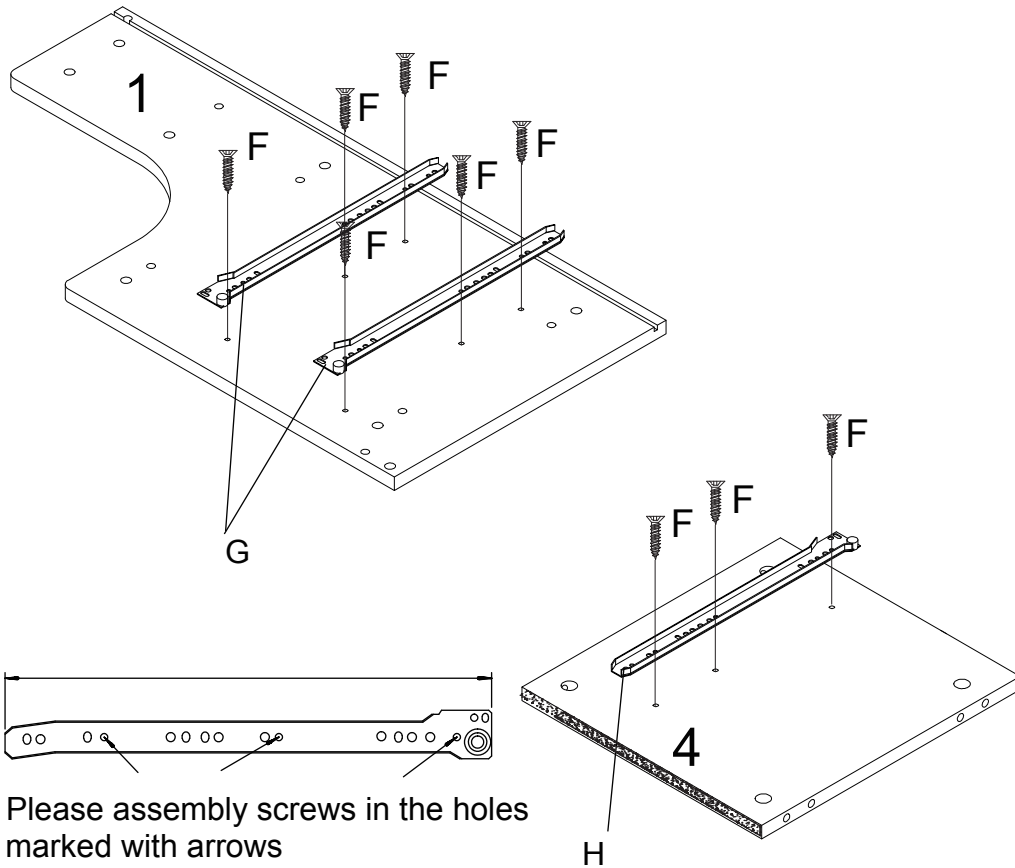
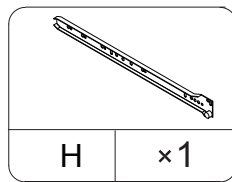
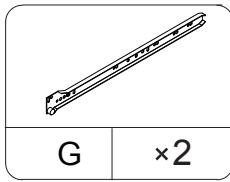
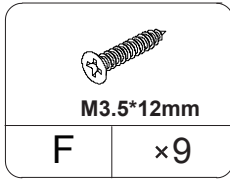
J	× 2
---	-----

PRODUCT ASSEMBLY

STEP 1



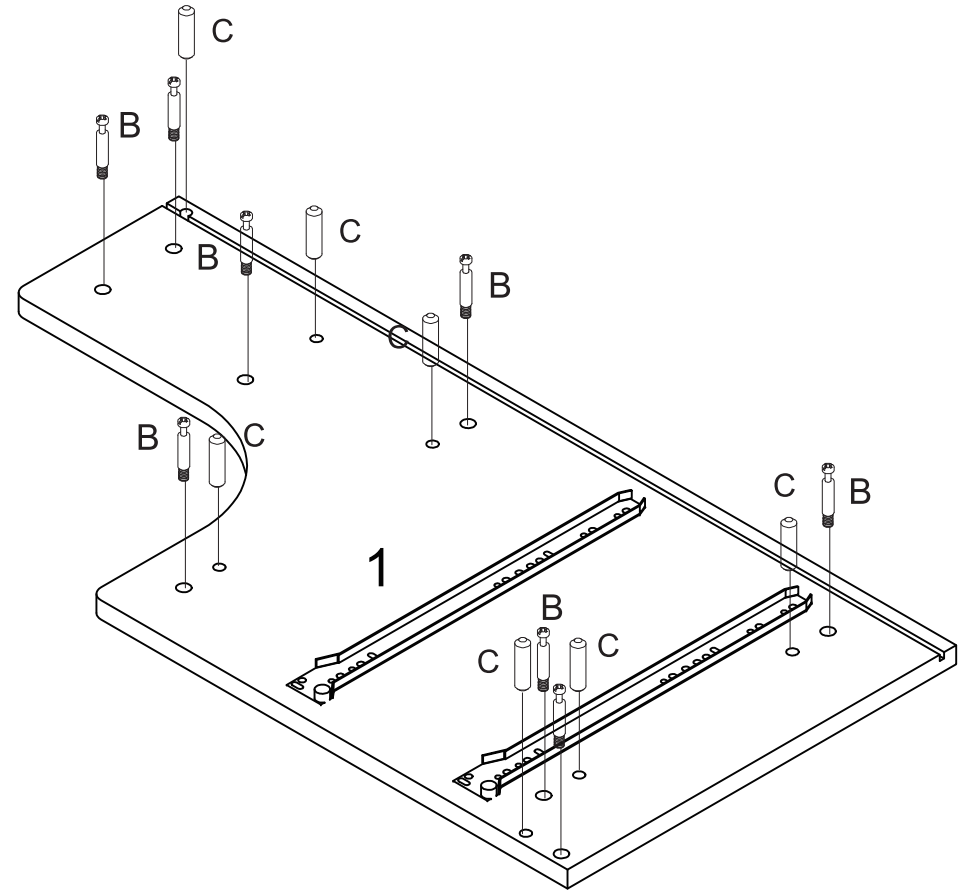
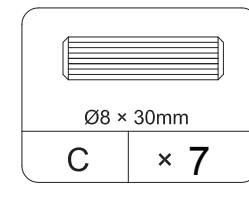
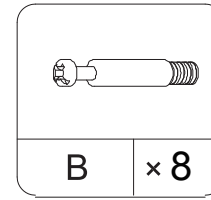
(screwdriver not included)



Please assembly screws in the holes marked with arrows

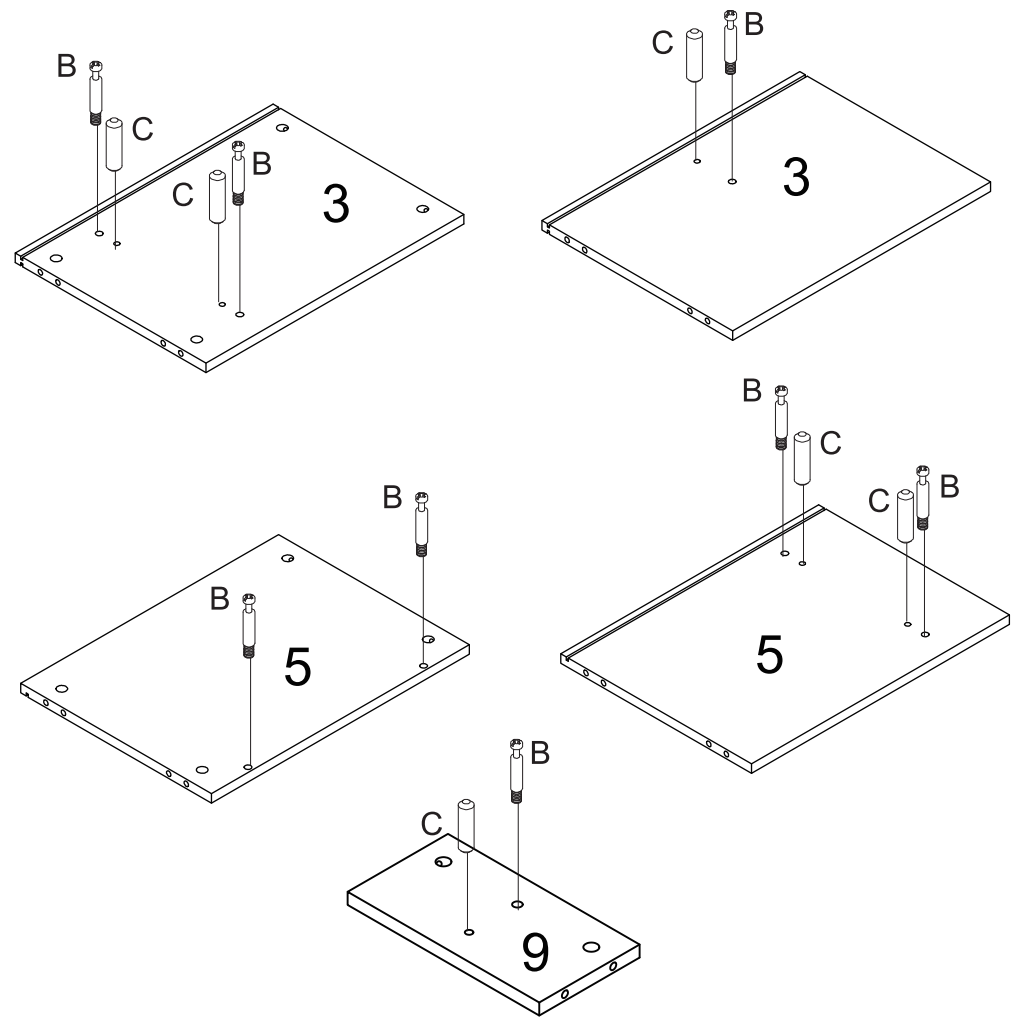
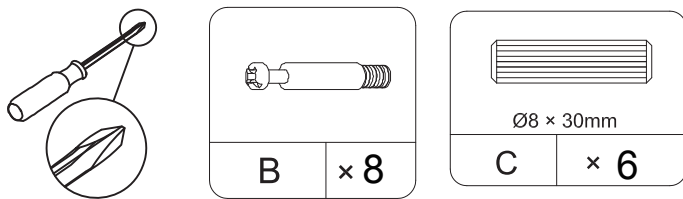
PRODUCT ASSEMBLY

STEP 2



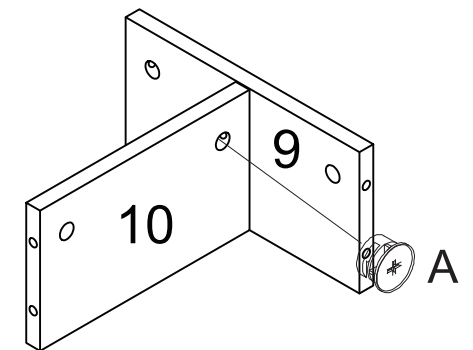
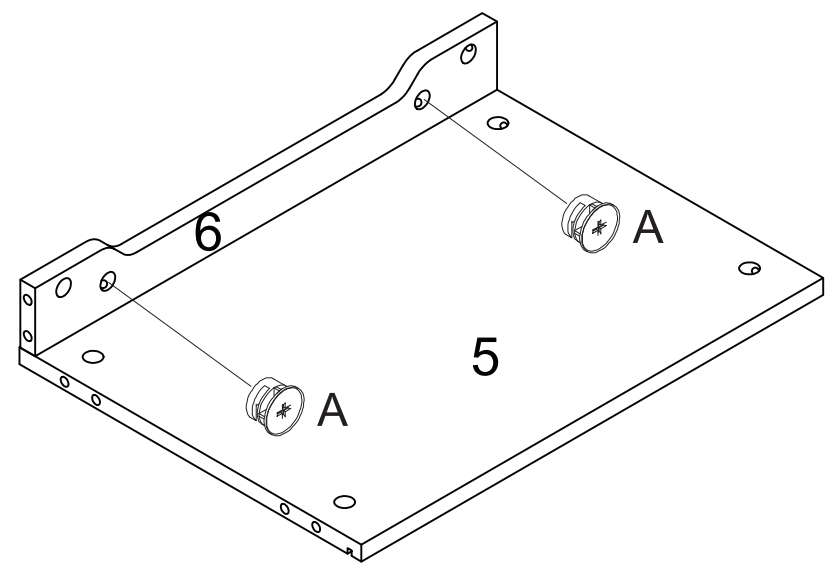
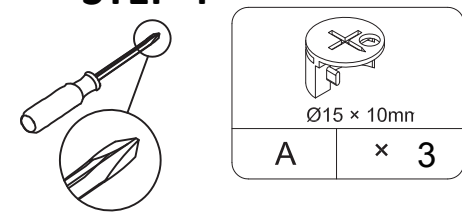
PRODUCT ASSEMBLY

STEP 3



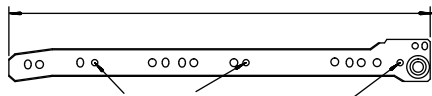
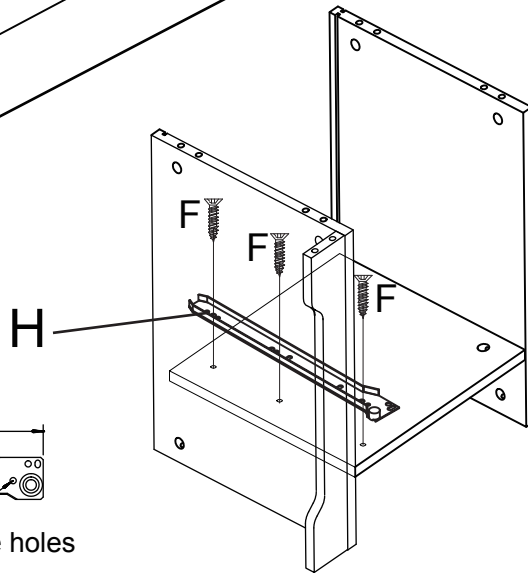
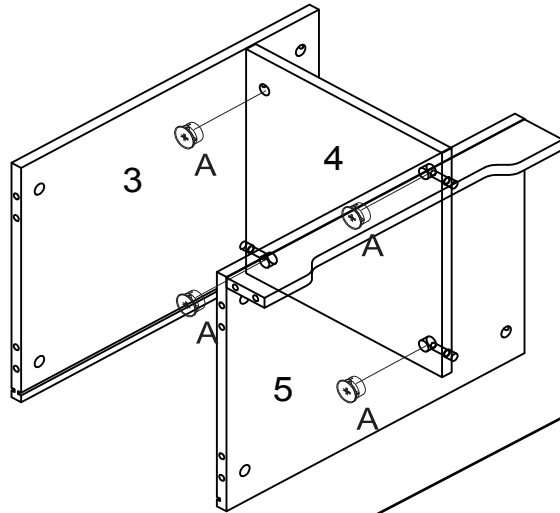
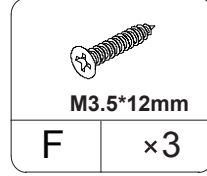
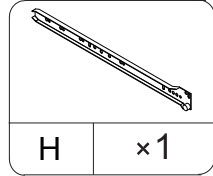
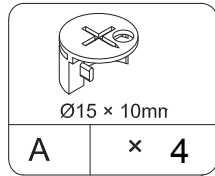
PRODUCT ASSEMBLY

STEP 4



PRODUCT ASSEMBLY

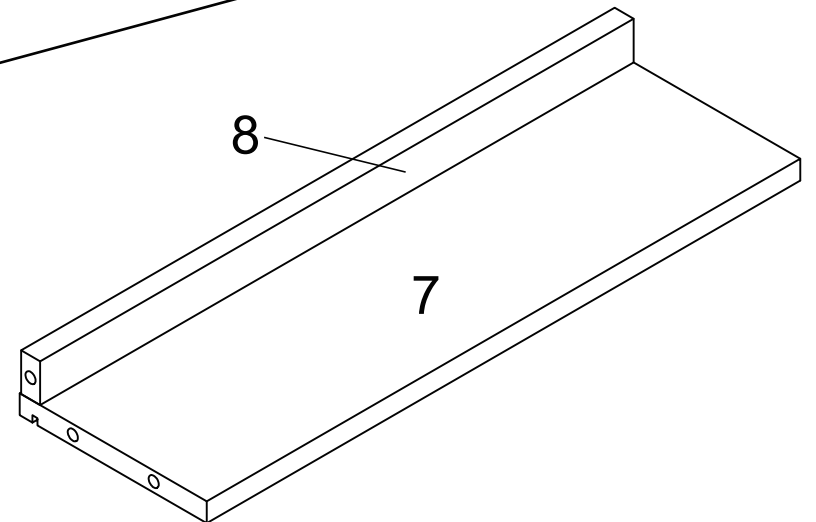
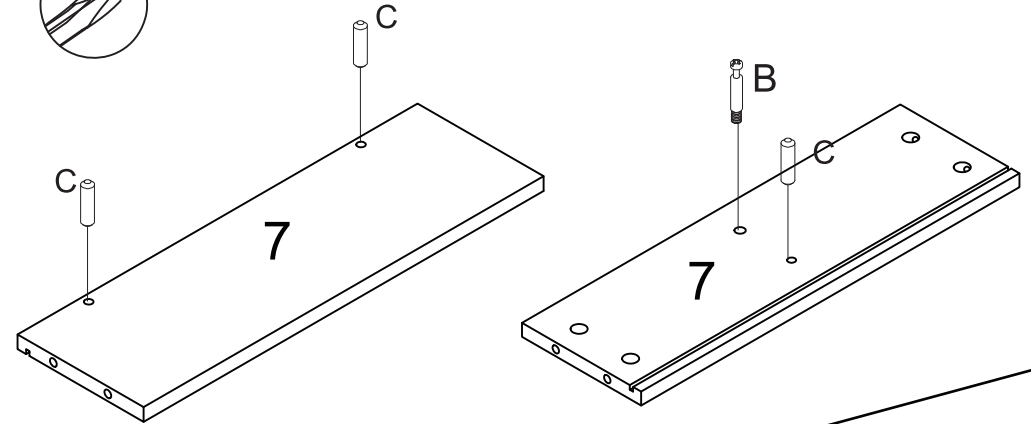
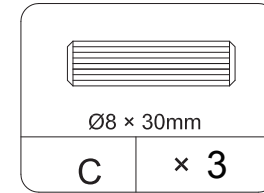
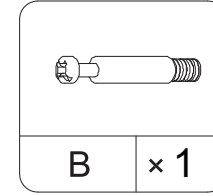
STEP 5



Please assembly screws in the holes marked with arrows

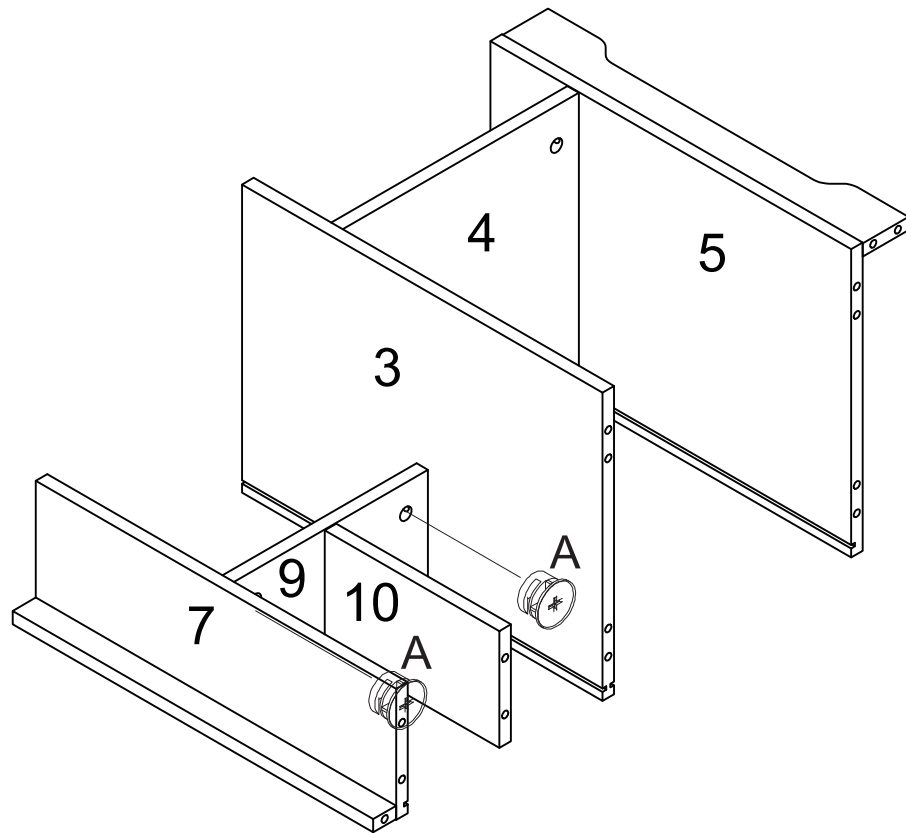
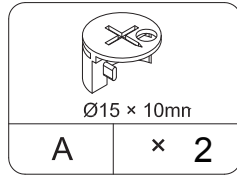
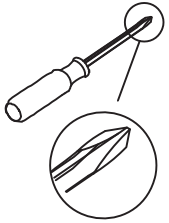
PRODUCT ASSEMBLY

STEP 6



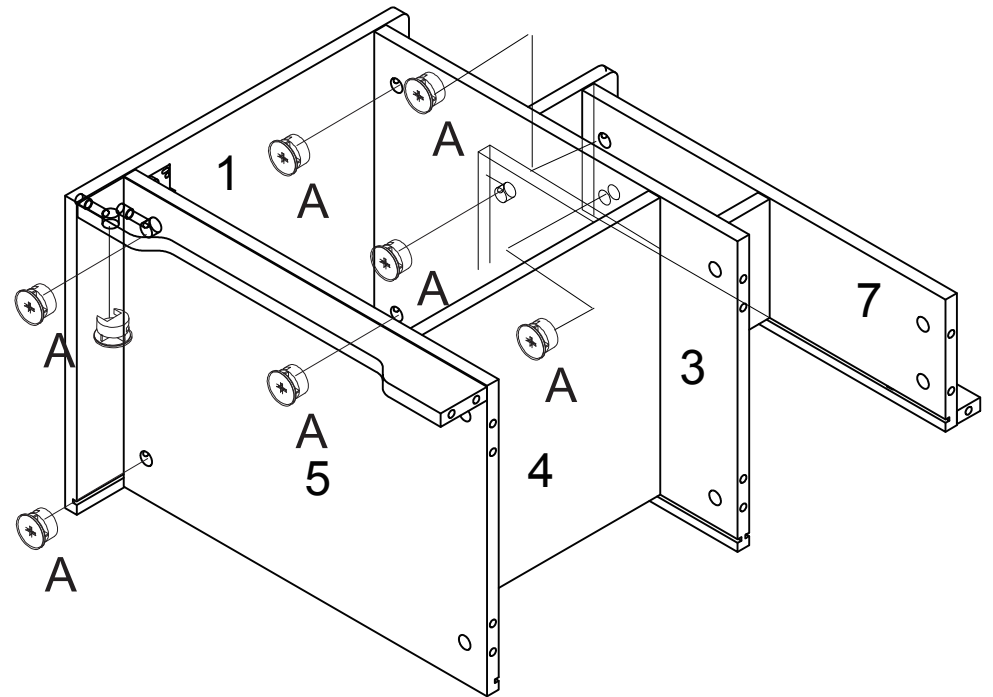
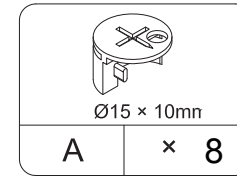
PRODUCT ASSEMBLY

STEP 7

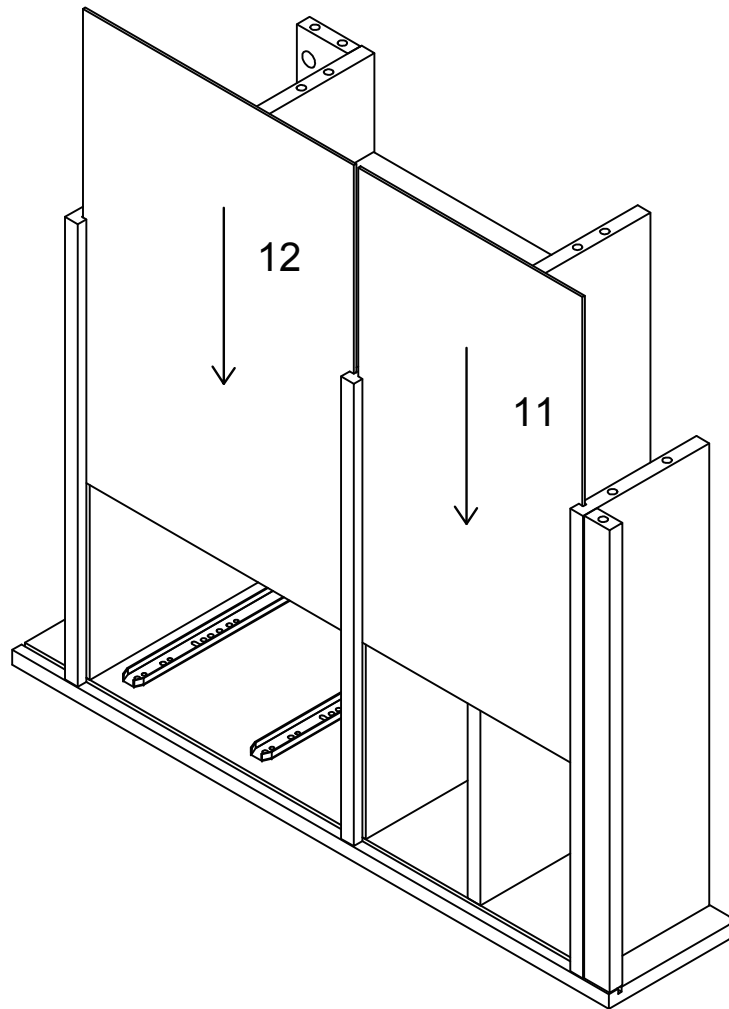


PRODUCT ASSEMBLY

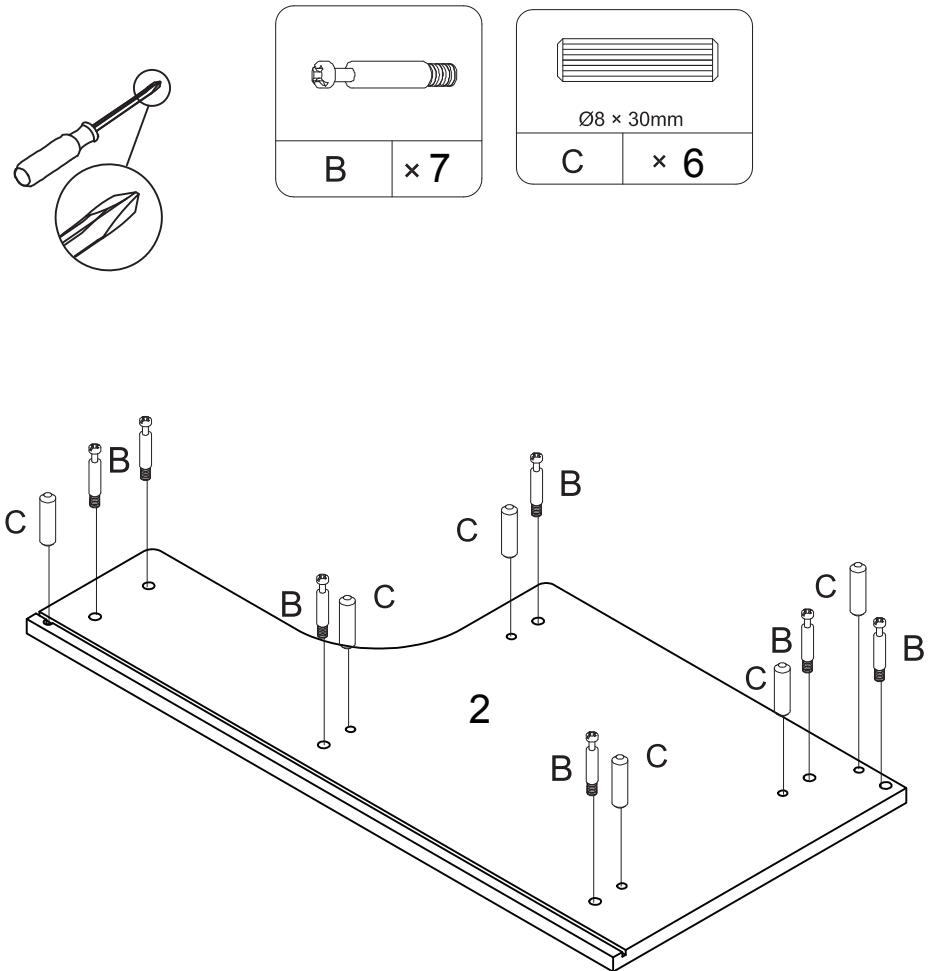
STEP 8



STEP 9

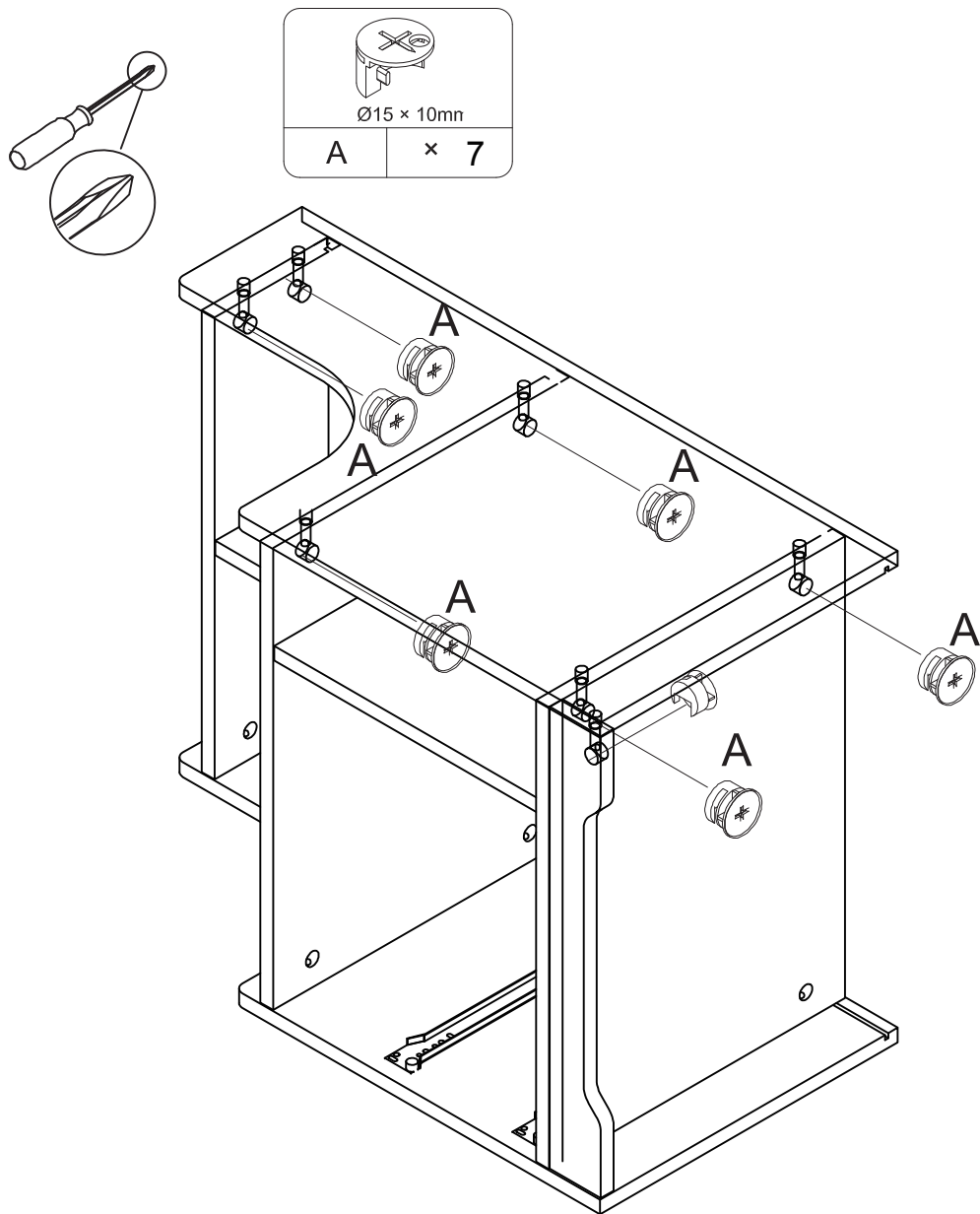


STEP 10



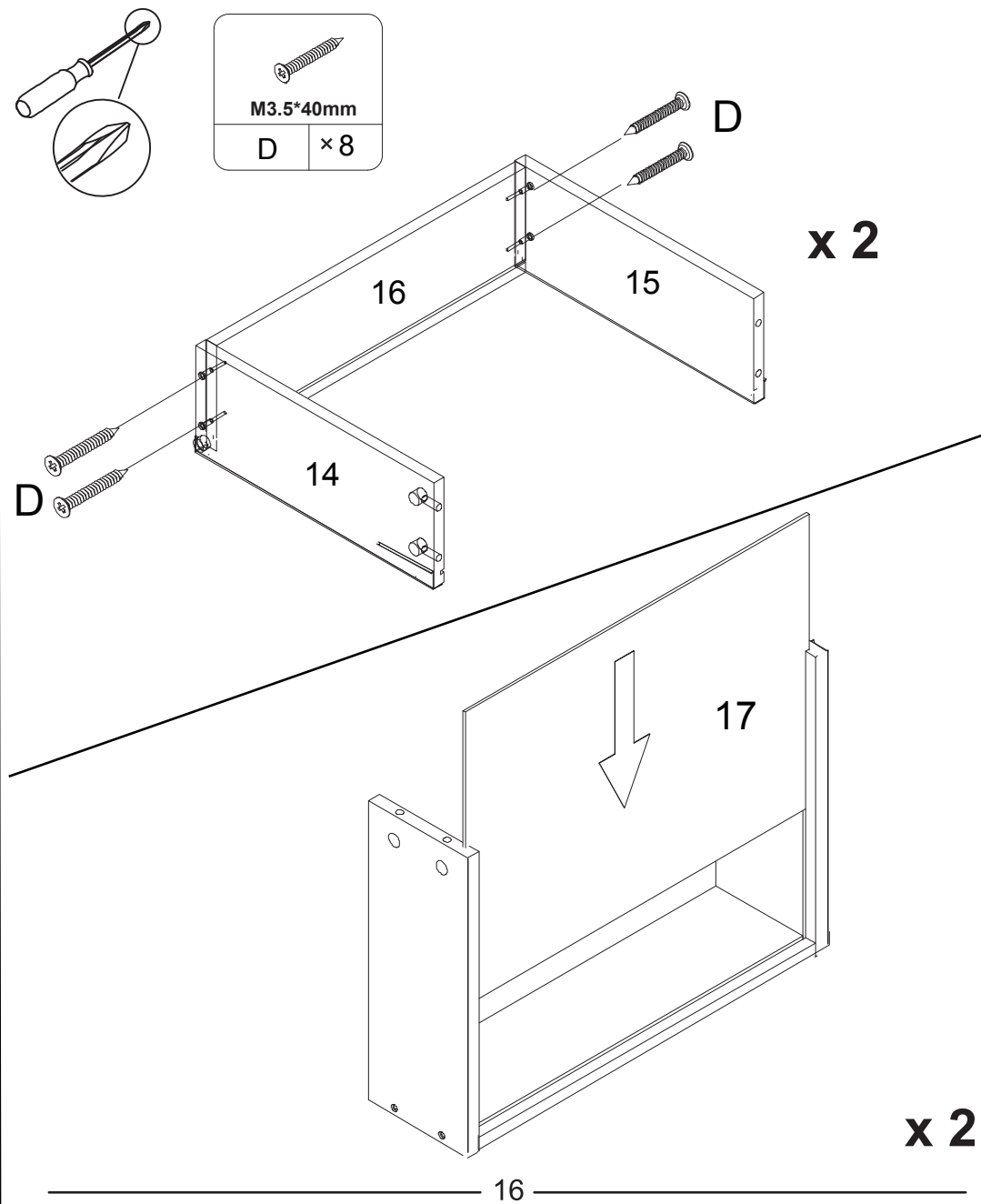
PRODUCT ASSEMBLY

STEP 11



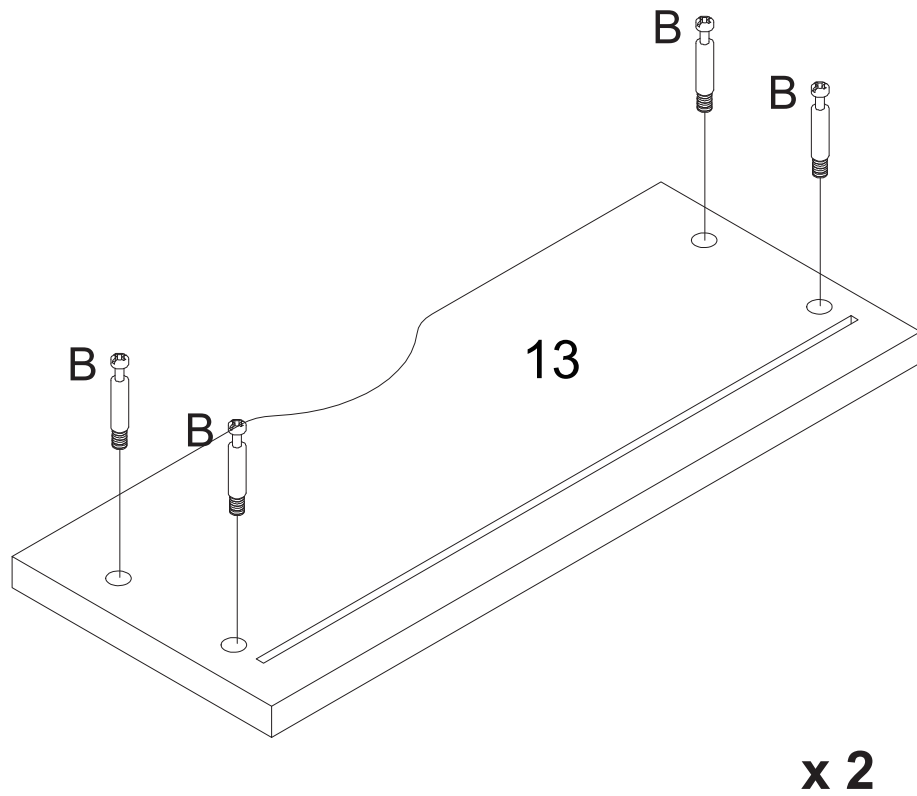
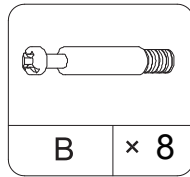
PRODUCT ASSEMBLY

STEP 12



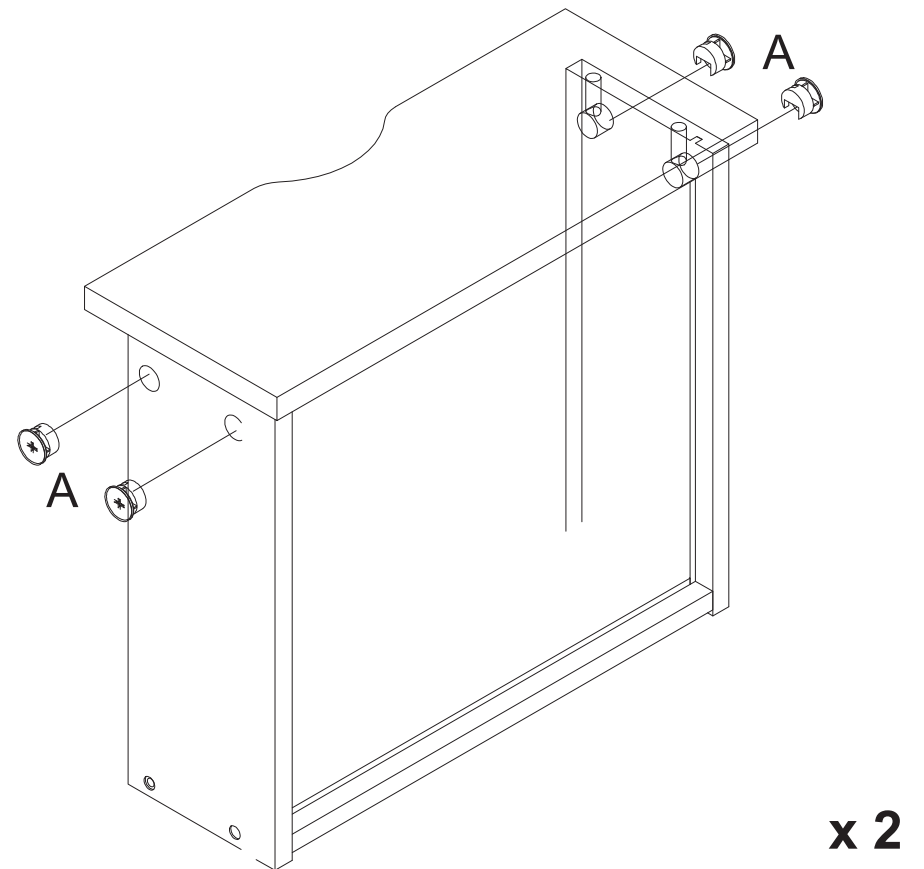
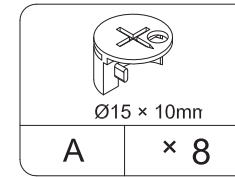
PRODUCT ASSEMBLY

STEP 13



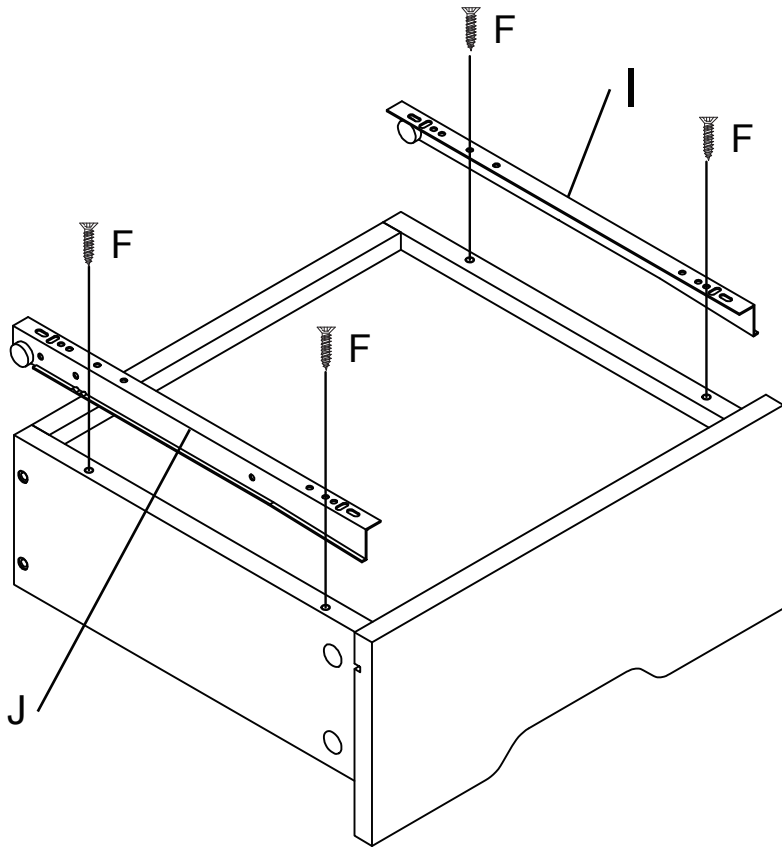
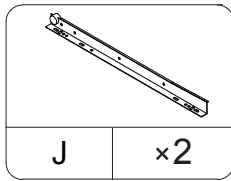
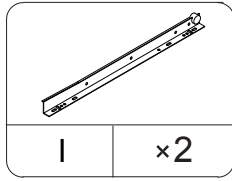
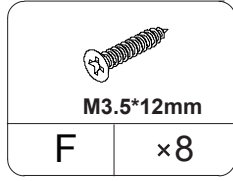
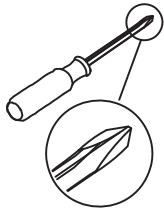
PRODUCT ASSEMBLY

STEP 14



PRODUCT ASSEMBLY

STEP 15



x 2

PRODUCT ASSEMBLY

STEP 16

