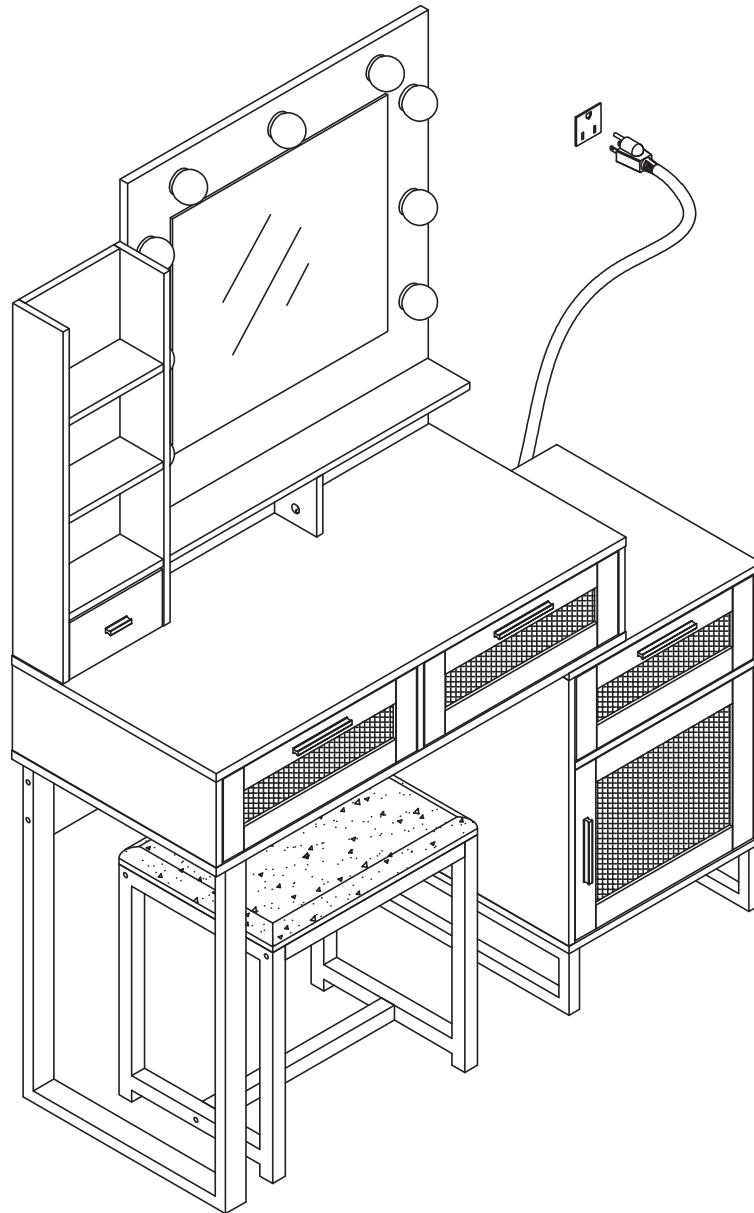
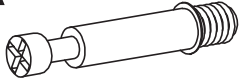






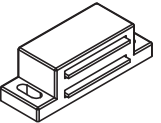


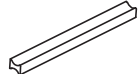


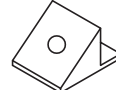



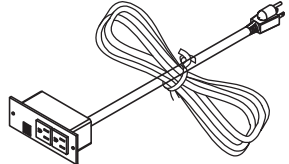
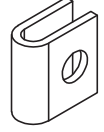
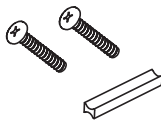

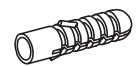
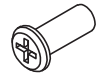




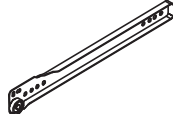
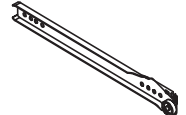
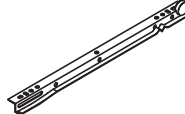
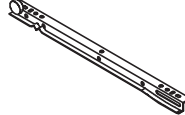
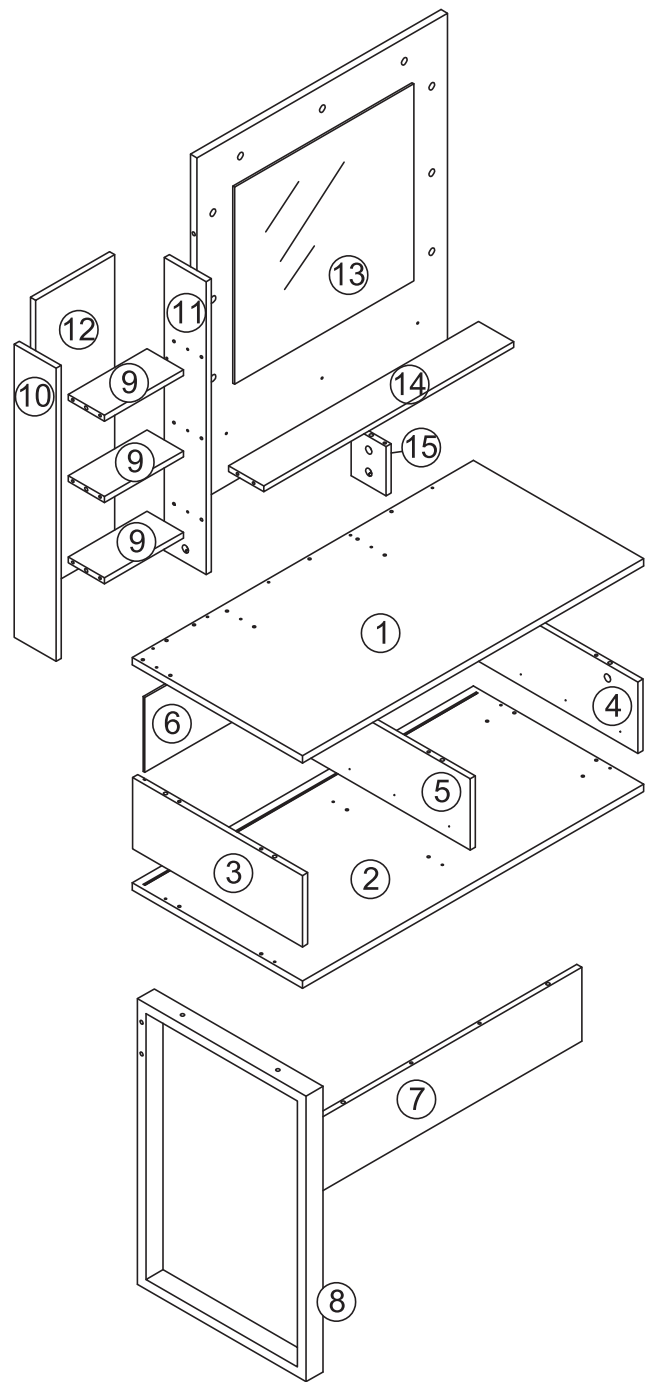


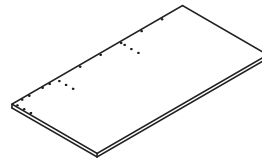
US-IF007-WH-X



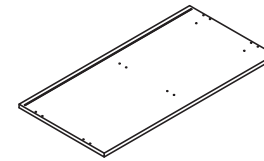
<p>A</p>  <p>Ø6x35mm 51 (+2)pcs</p>	<p>B</p>  <p>Ø15x10mm (+2)pcs</p>	<p>C</p>  <p>Ø6x30mm 50 (+1)pcs</p>	<p>D</p>  <p>Ø4x35mm 36(+2)pcs</p>	<p>E</p>  <p>Ø3.5x12mm 39 (+2)pcs</p>	<p>F</p>  <p>Ø6x30mm 6pcs</p>	<p>G</p>  <p>2pcs</p>
<p>H</p>  <p>1pc</p>	<p>I</p>  <p>1pc</p>	<p>J</p>  <p>4mm 1pc</p>	<p>K</p>  <p>3pcs</p>	<p>L</p>  <p>6 pcs</p>	<p>M</p>  <p>2pcs</p>	<p>N</p>  <p>12pcs</p>
<p>O</p>  <p>Ø3x16mm 14 pcs</p>	<p>P</p>  <p>2pcs</p>	<p>Q</p>  <p>5pcs</p>	<p>R</p>  <p>1pc</p>		<p>S</p>  <p>1pc</p>	<p>T</p>  <p>1pc</p>
<p>U</p>  <p>Ø6x70mm 2pcs</p>	<p>V</p>  <p>2pcs</p>	<p>W</p>  <p>Ø8x22mm 2pcs</p>	<p>X</p>  <p>Ø6x16mm 2pcs</p>	<p>Y</p> <p>Y-1 x9 Y-2 x9 Y-3 x1 Y-4 x1</p>  <p>1set</p>		
<p>Z</p>  <p>Ø6x40mm 6pcs</p>	<p>AA</p>  <p>Ø4x35mm 4pcs</p>	<p>CL</p>  <p>3pcs</p>	<p>CR</p>  <p>3pcs</p>	<p>DL</p>  <p>3pcs</p>	<p>DR</p>  <p>3pcs</p>	



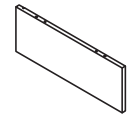
① x1



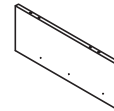
② x1



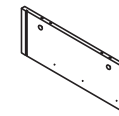
③ x1



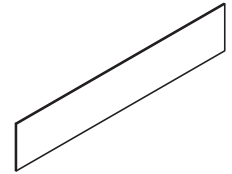
④ x1



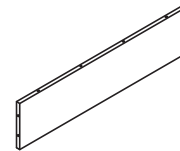
⑤ x1



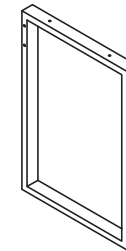
⑥ x1



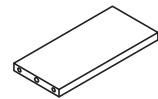
⑦ x1



⑧ x1



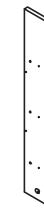
⑨ x3



⑩ x1



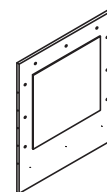
⑪ x1



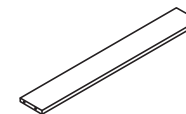
⑫ x1



⑬ x1

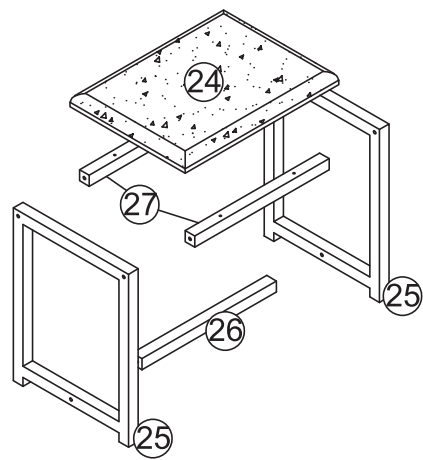
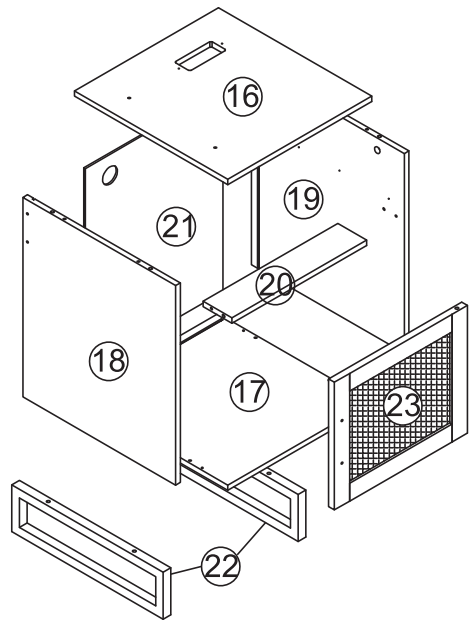


⑭ x1

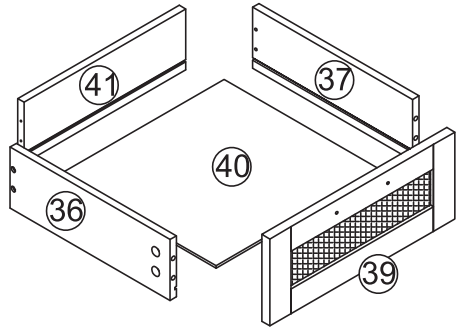
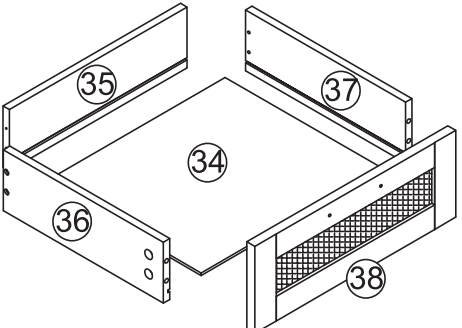
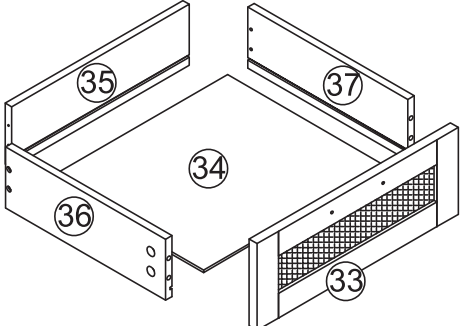
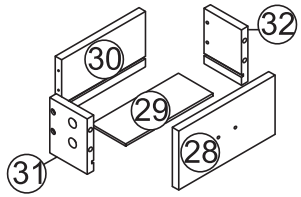


⑮ x1

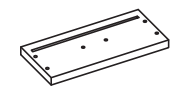




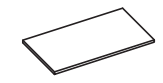
<p>①⑥ x1</p>	<p>①⑦ x1</p>	<p>①⑧ x1</p>
<p>①⑨ x1</p>	<p>②⑦ x1</p>	<p>②① x1</p>
<p>②② x2</p>	<p>②③ x1</p>	<p>②④ x1</p>
<p>②⑤ x2</p>	<p>②⑥ x1</p>	<p>②⑦ x2</p>



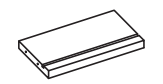
28 x1



29 x1



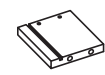
30 x1



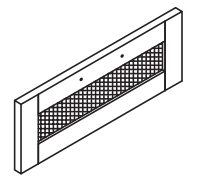
31 x1



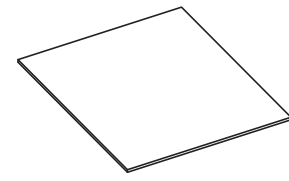
32 x1



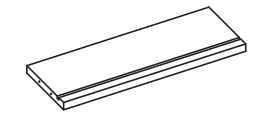
33 x1



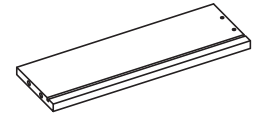
34 x2



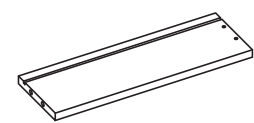
35 x2



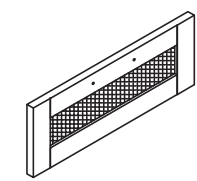
36 x3



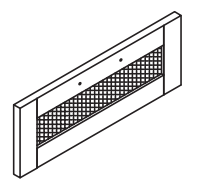
37 x3



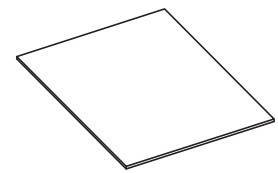
38 x1



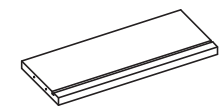
39 x1



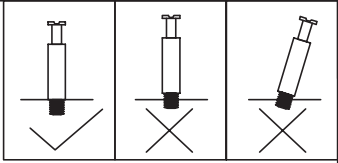
40 x1



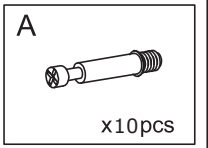
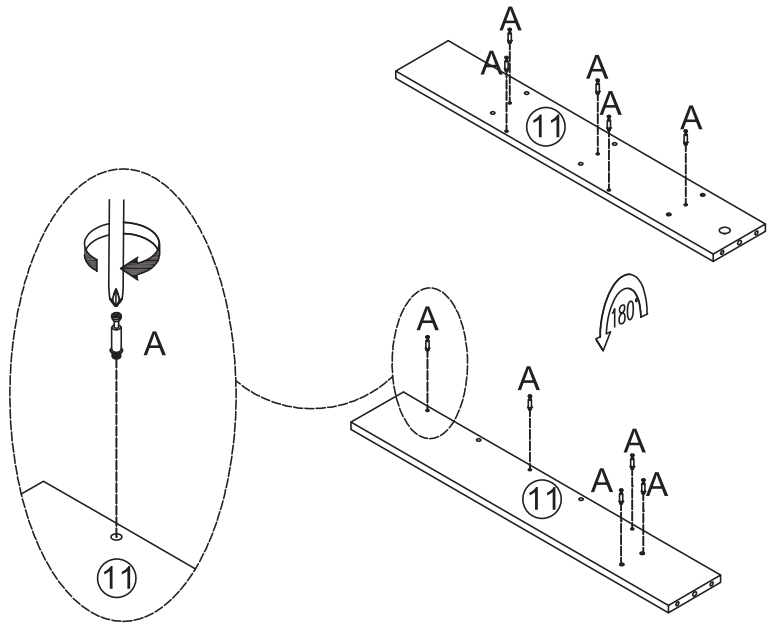
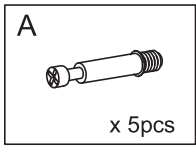
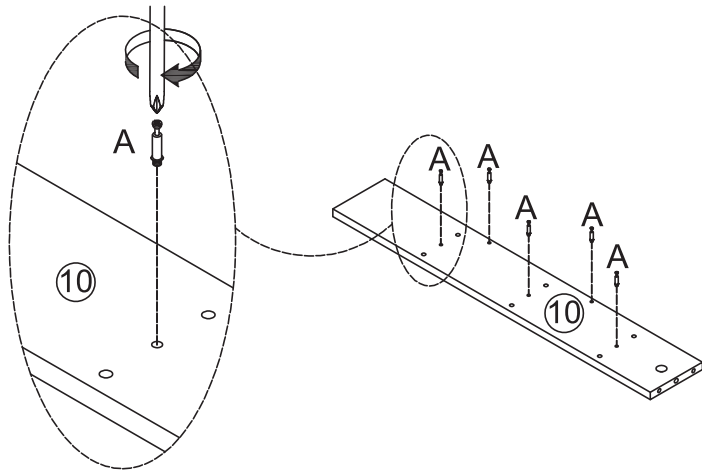
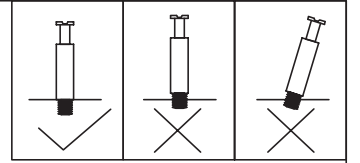
41 x1



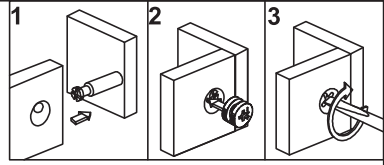
1



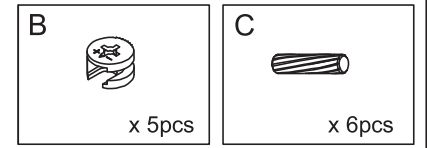
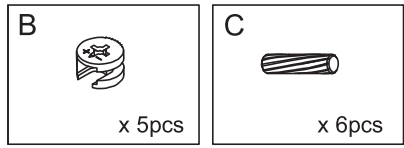
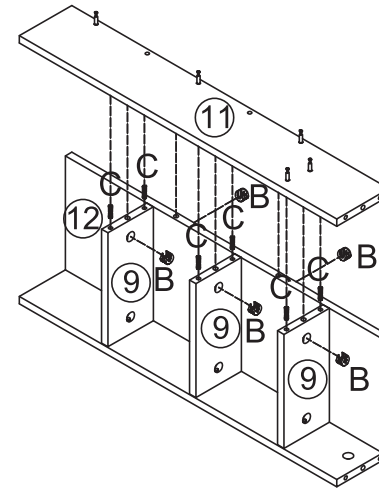
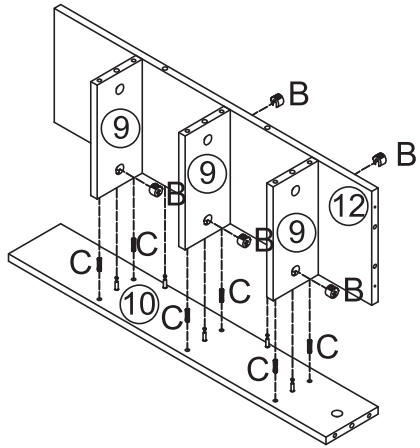
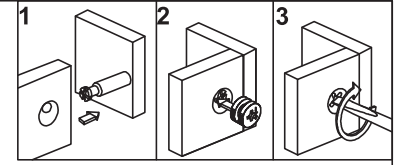
2



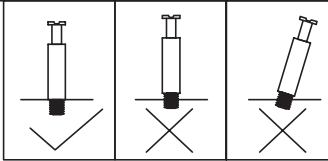
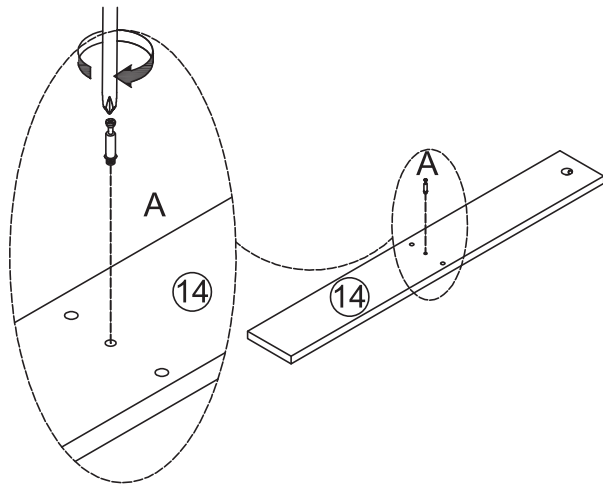
3



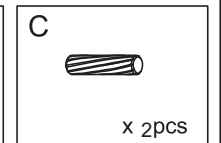
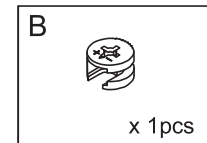
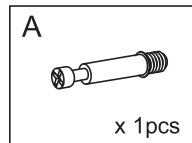
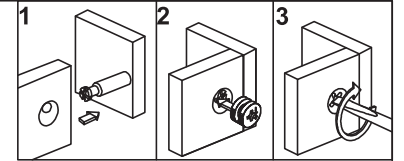
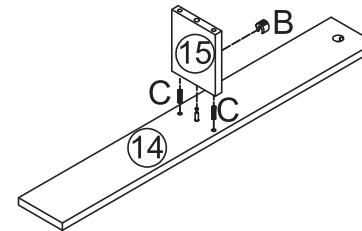
4



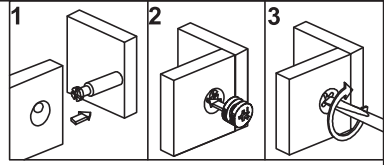
5



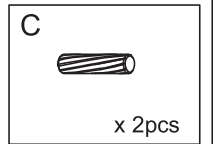
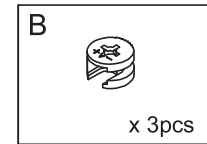
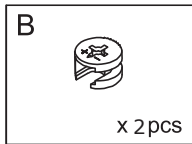
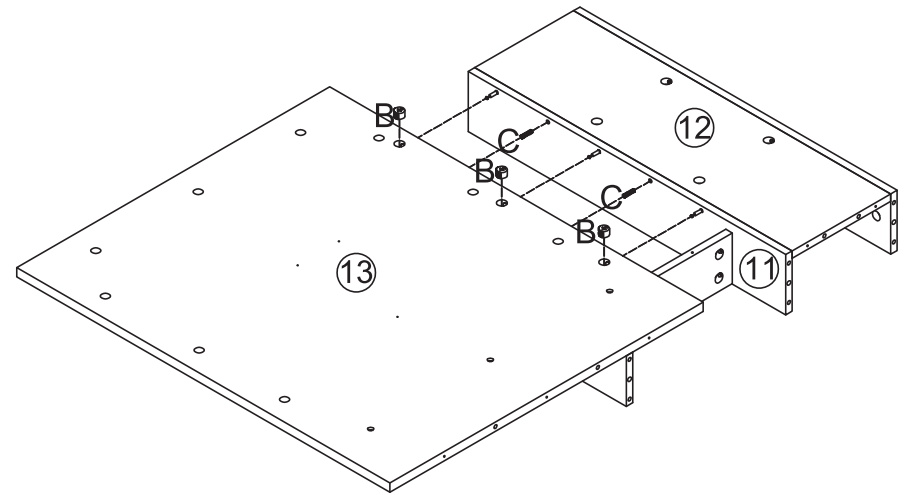
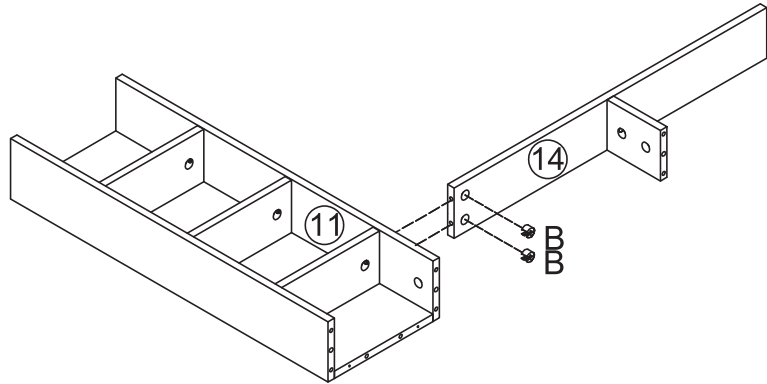
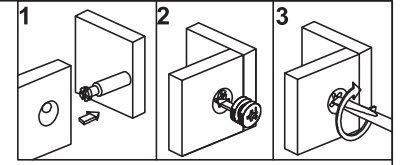
6



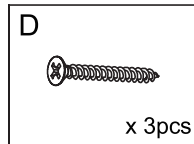
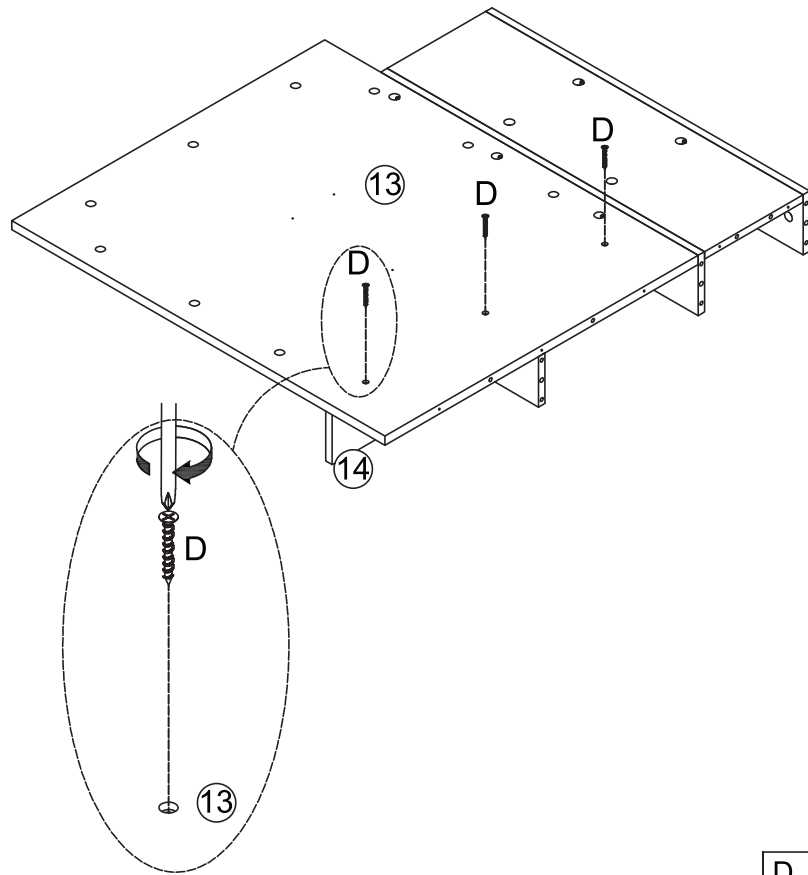
7



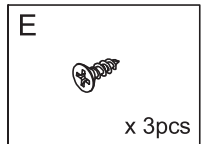
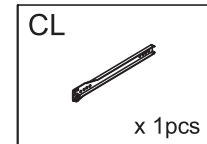
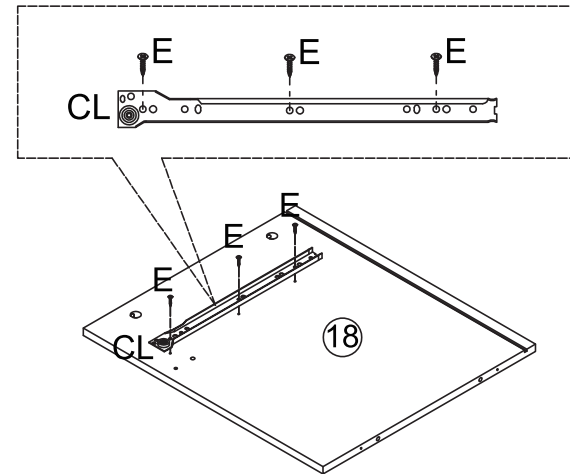
8



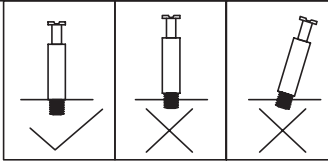
9



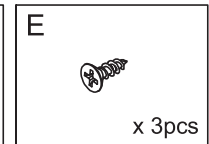
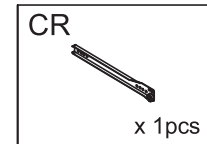
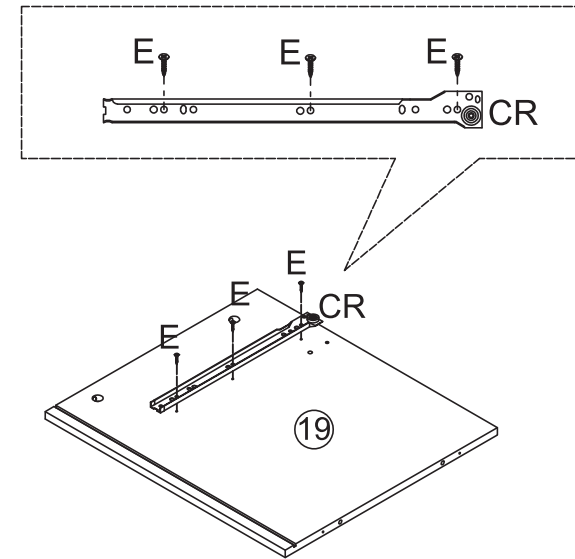
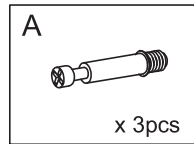
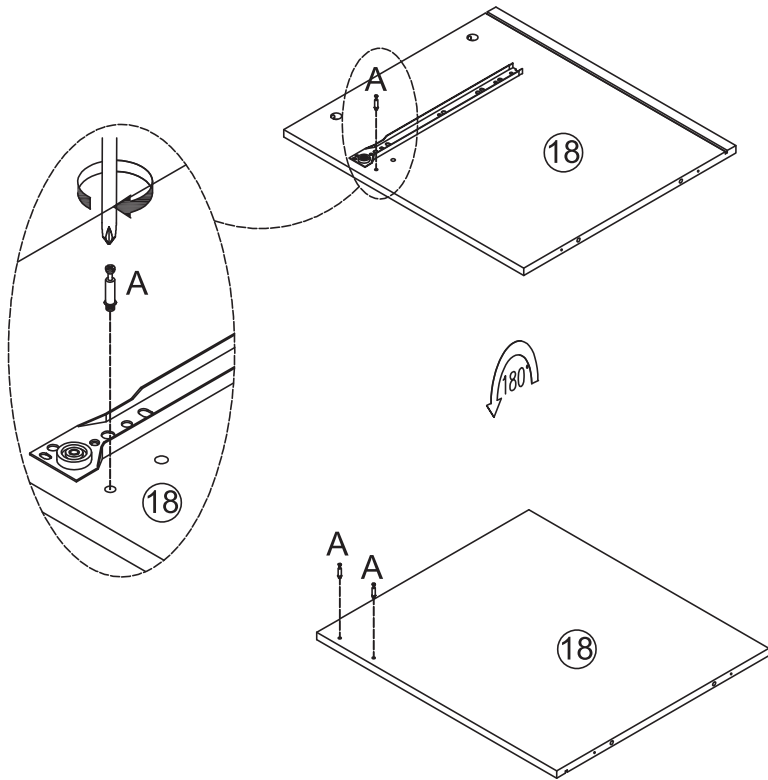
10



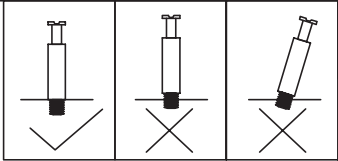
11



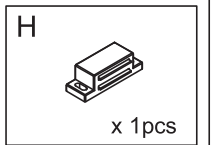
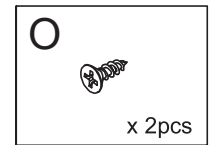
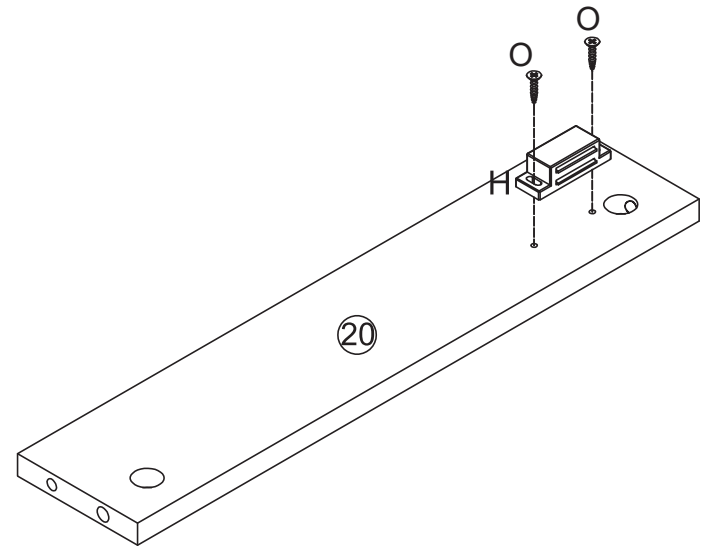
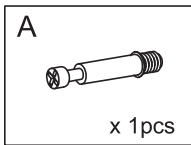
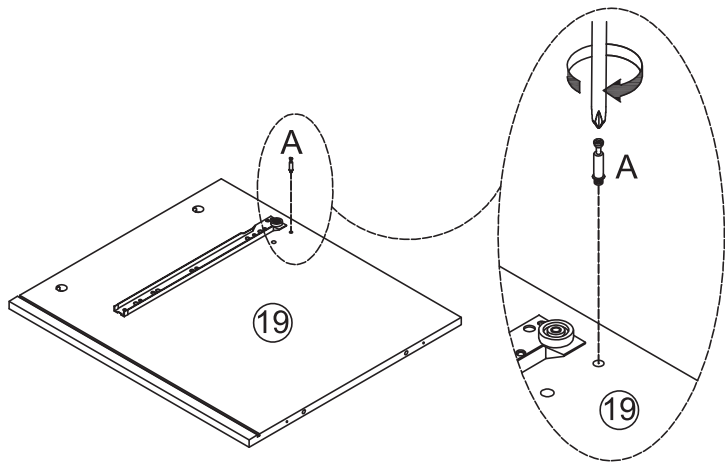
12



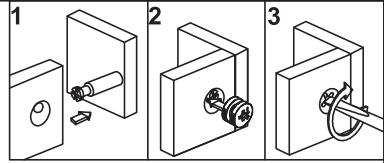
13



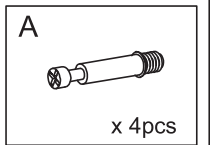
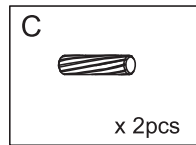
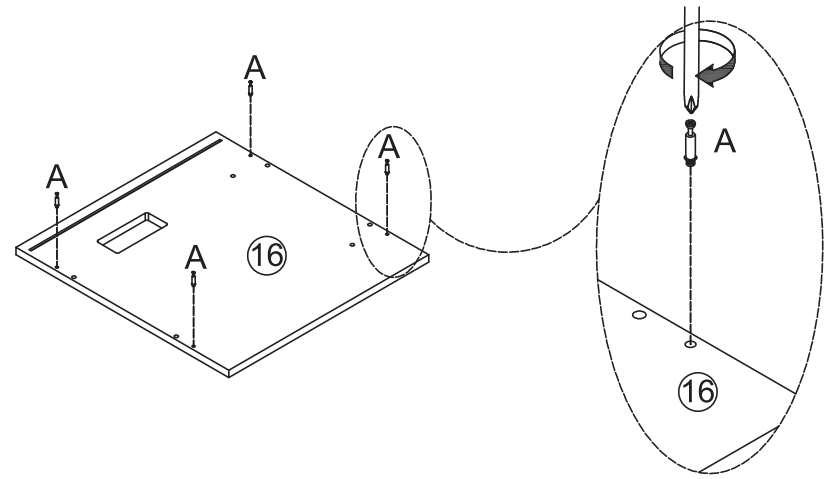
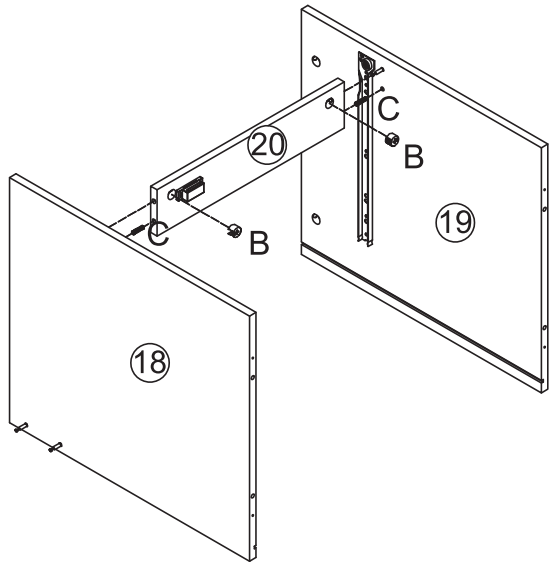
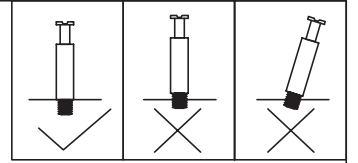
14



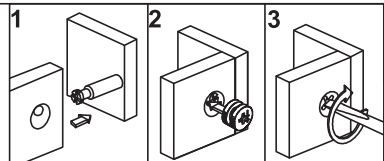
15



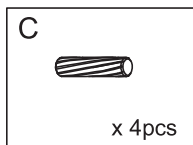
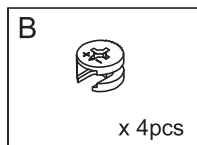
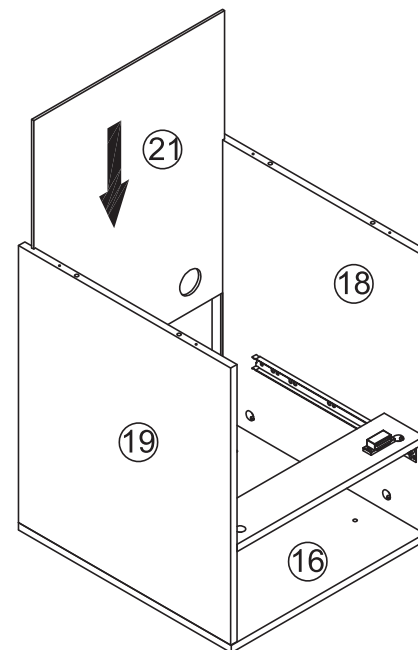
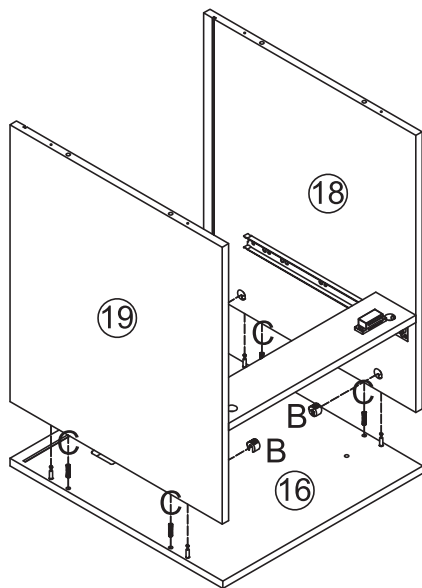
16



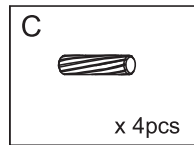
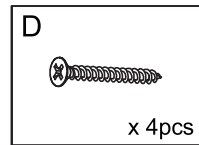
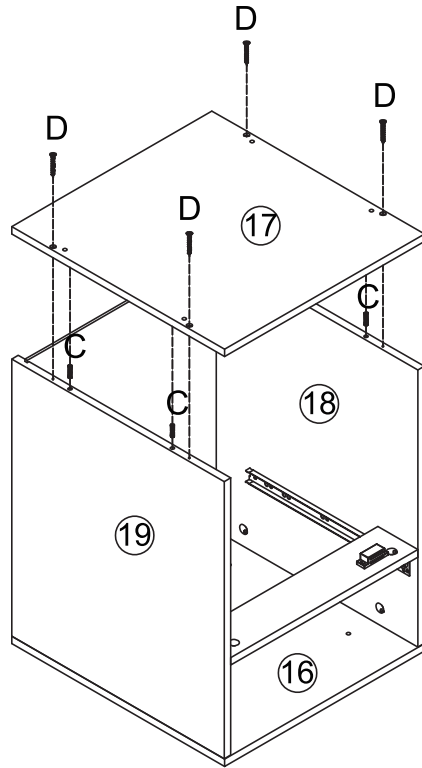
17



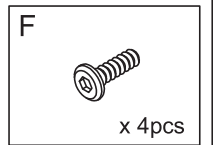
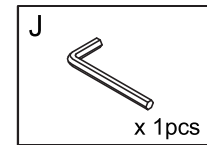
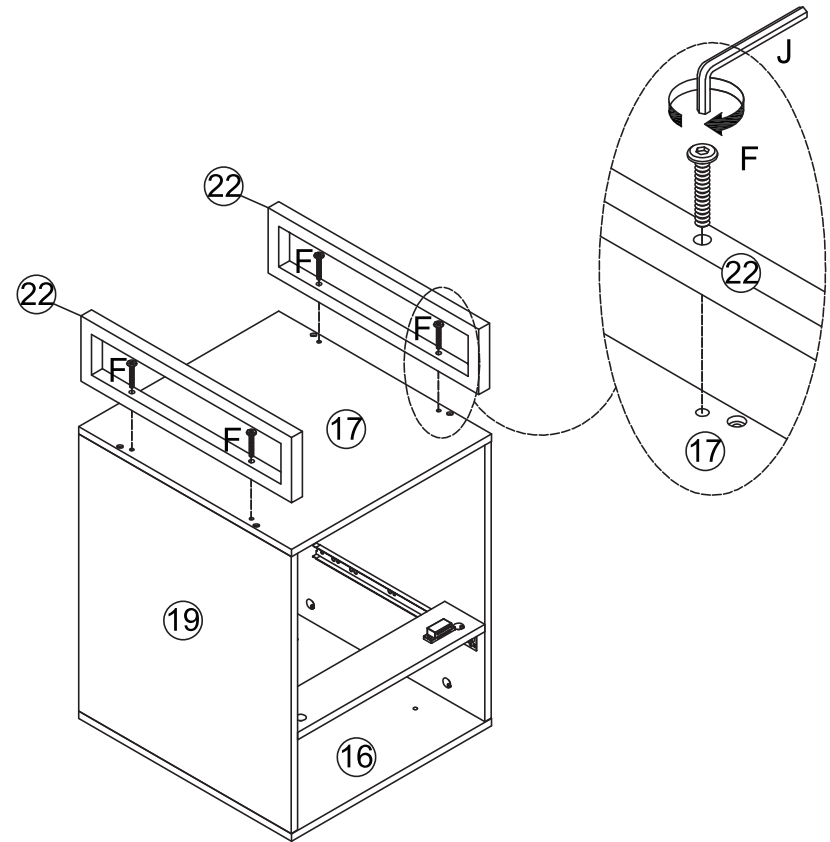
18



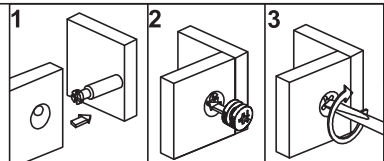
19



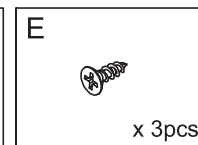
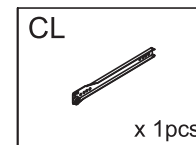
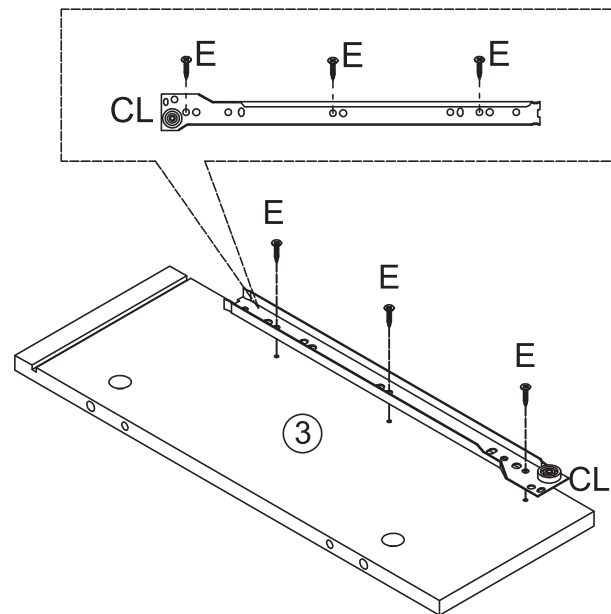
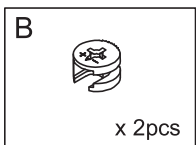
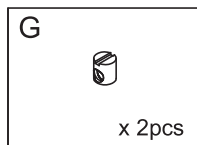
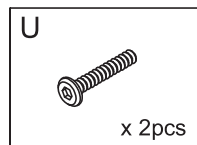
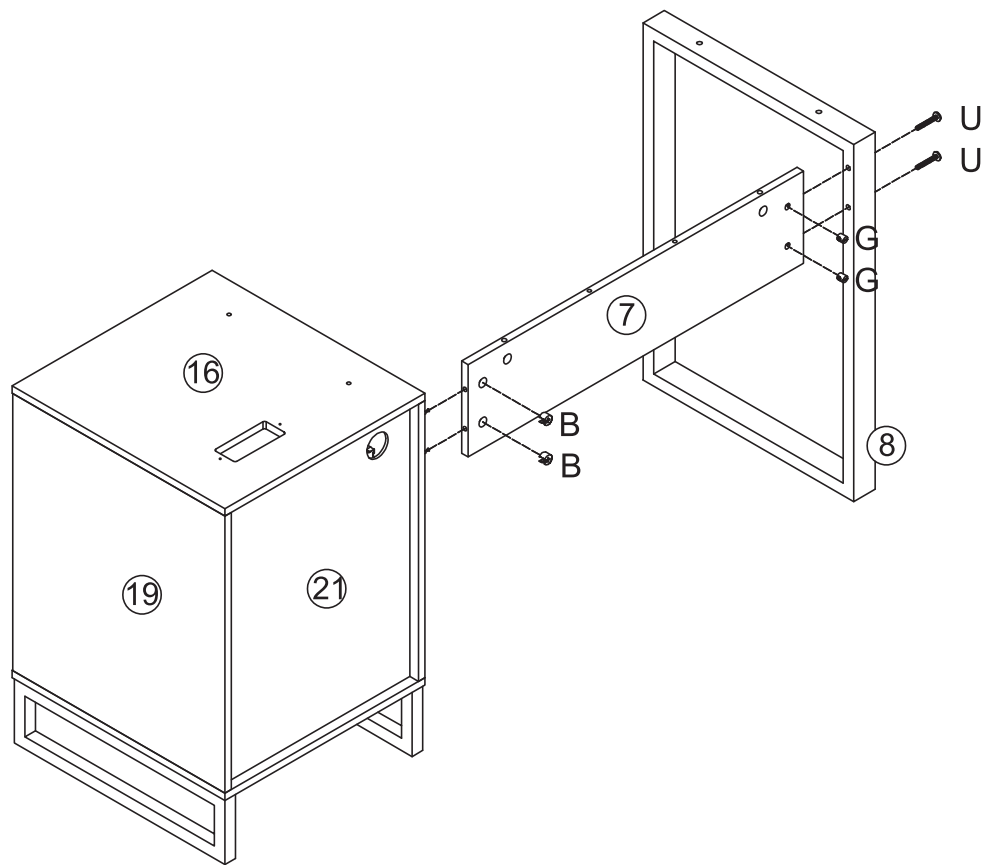
20



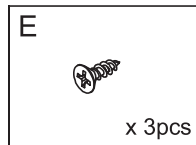
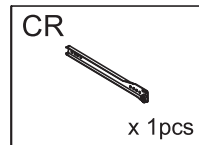
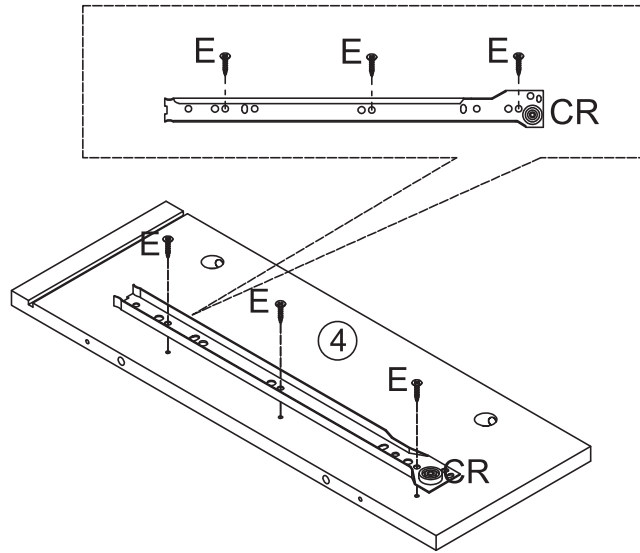
21



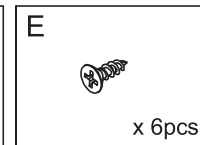
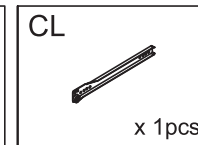
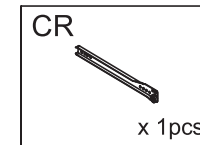
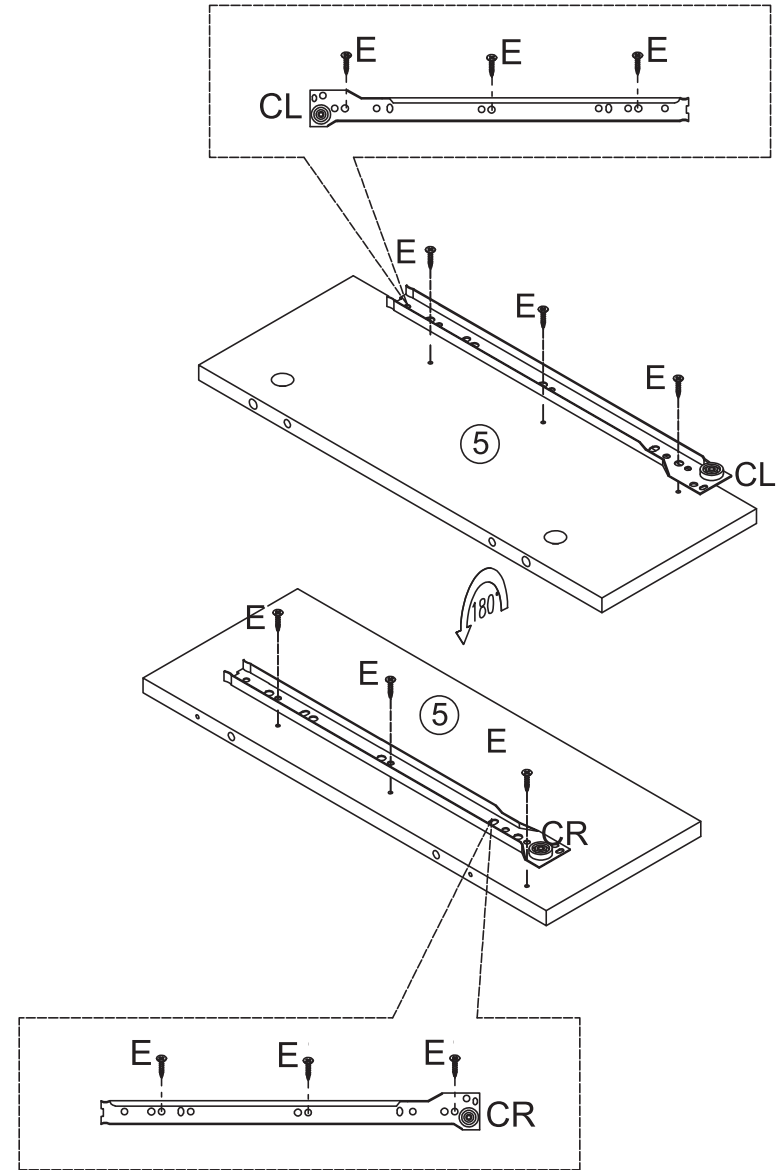
22



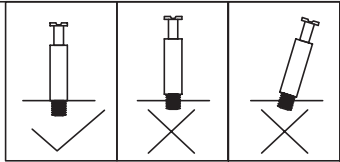
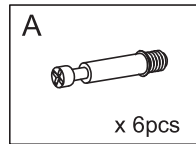
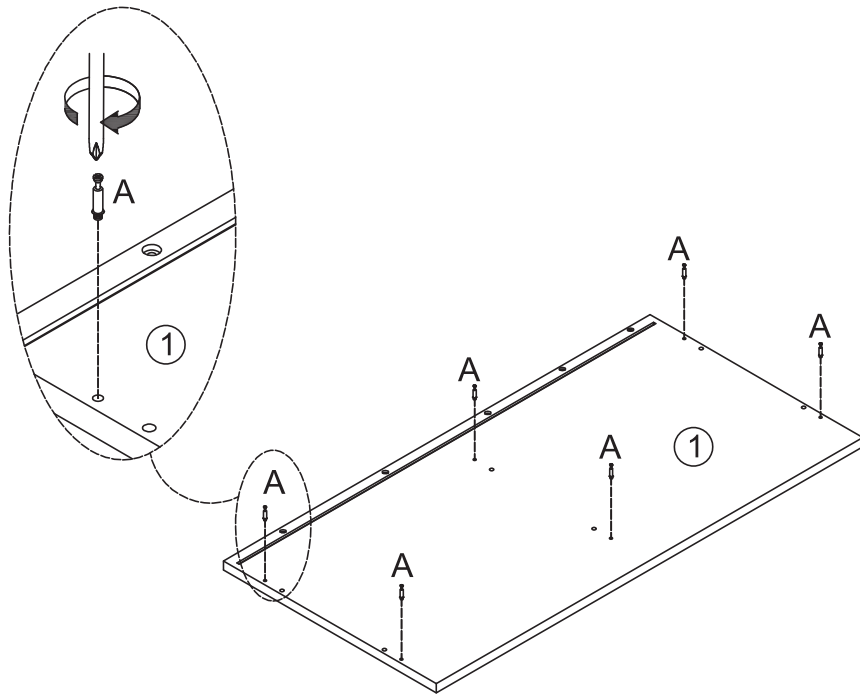
23



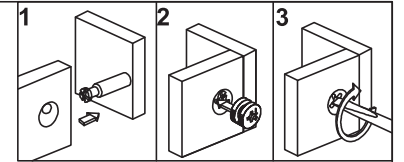
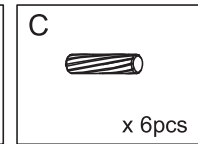
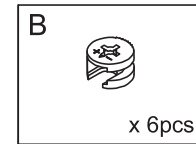
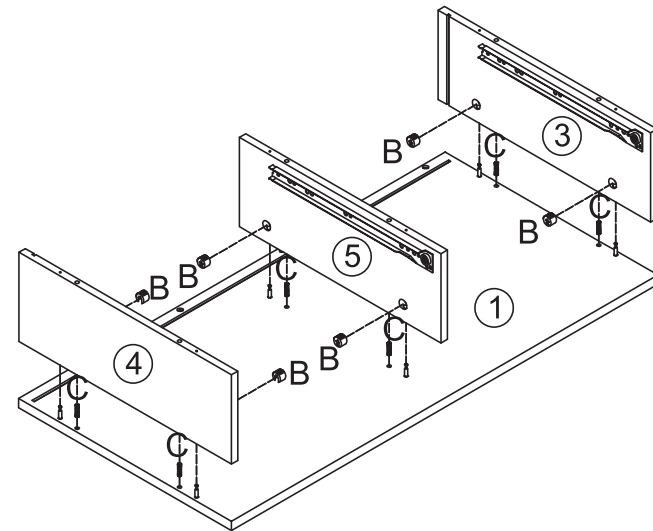
24



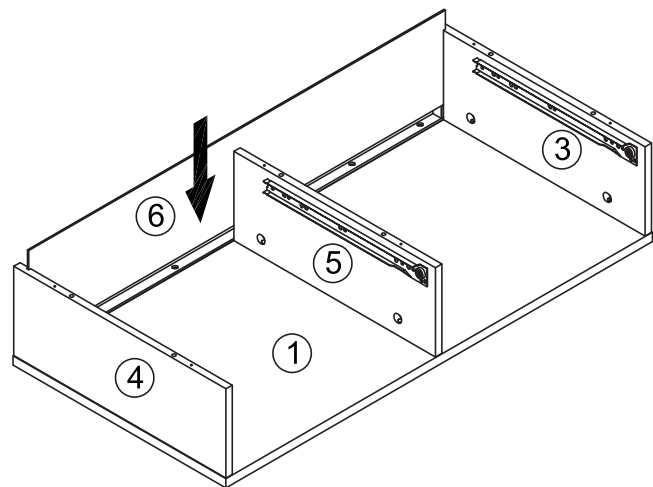
25



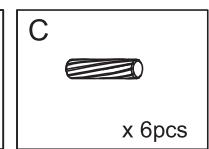
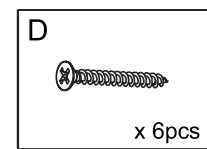
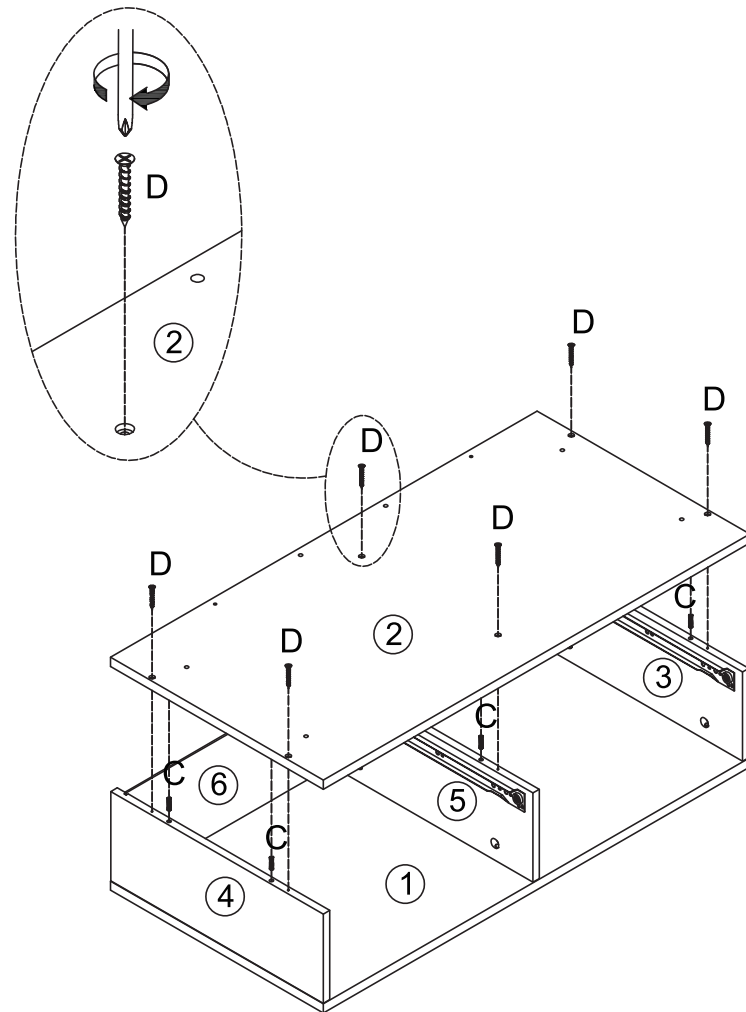
26



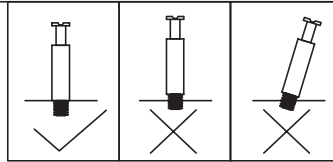
27



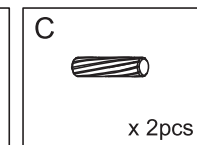
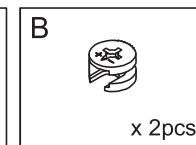
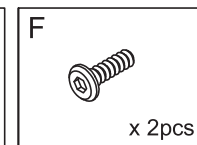
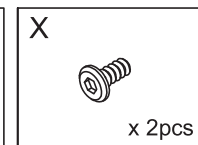
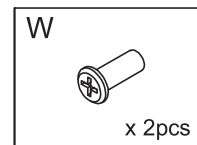
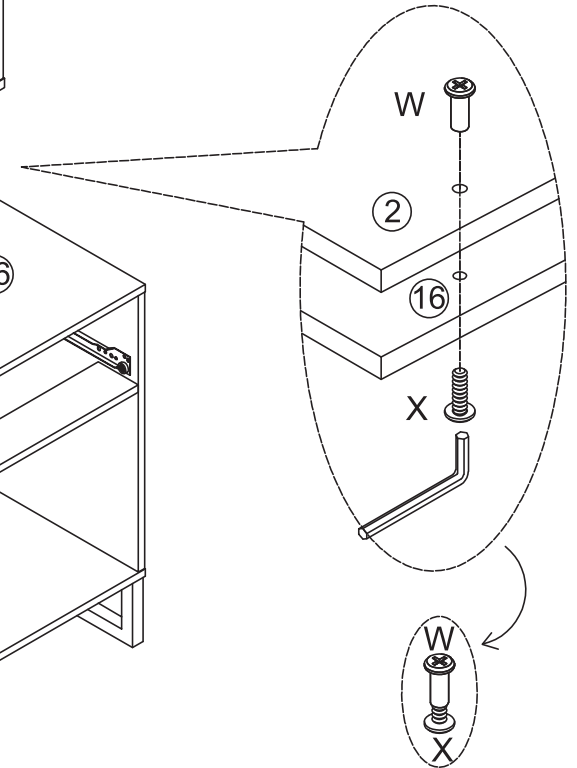
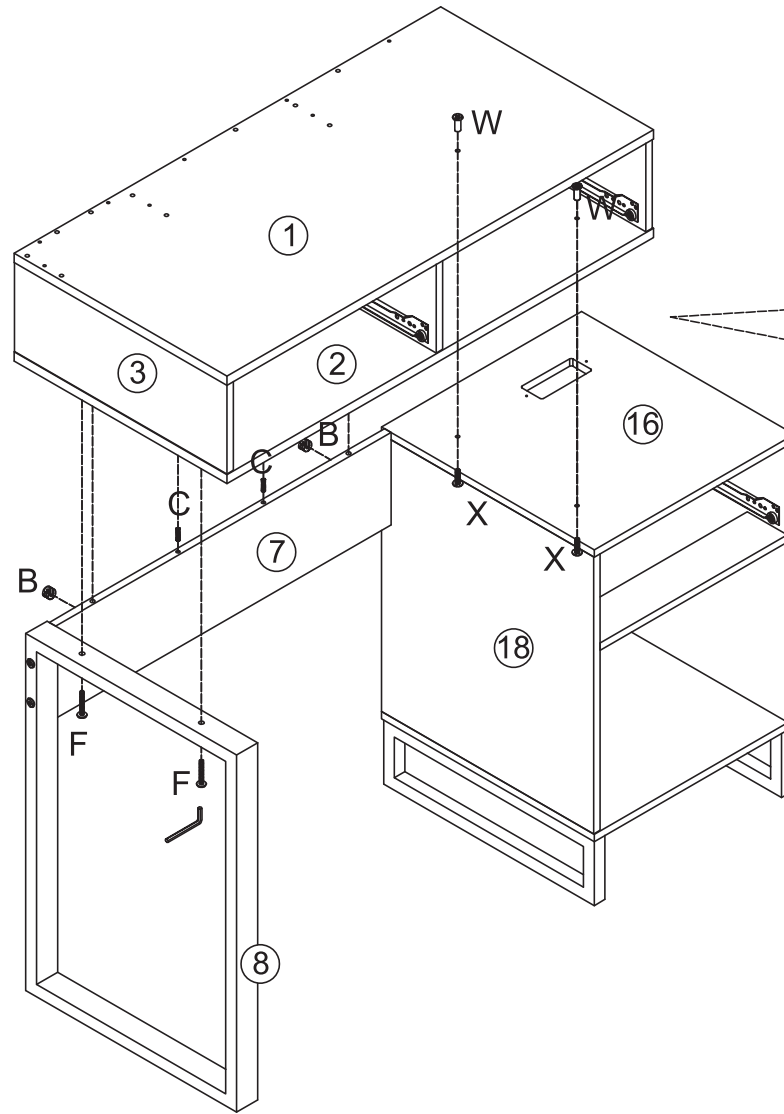
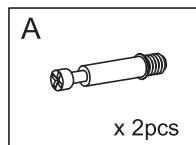
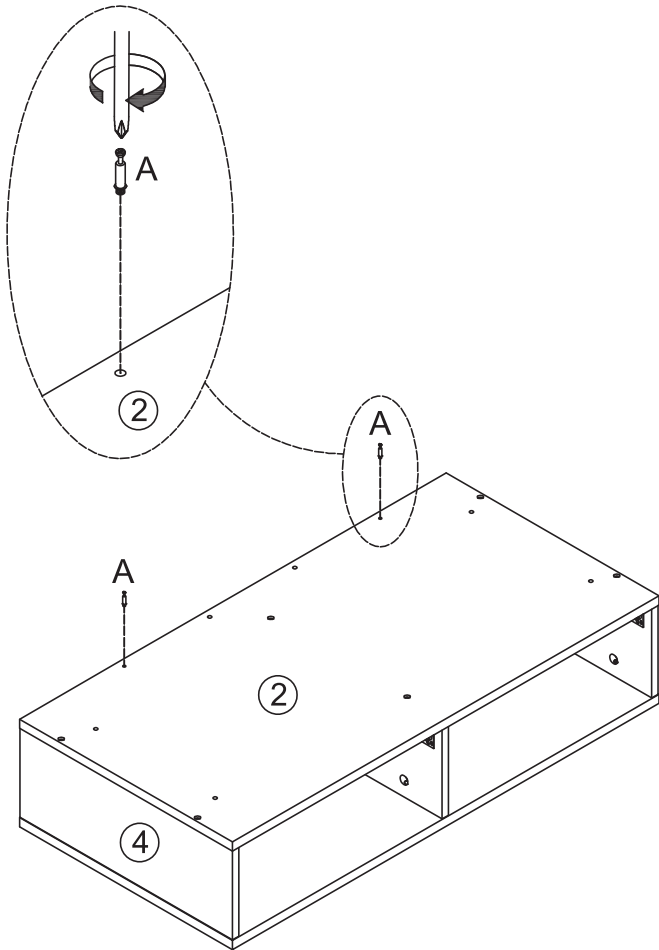
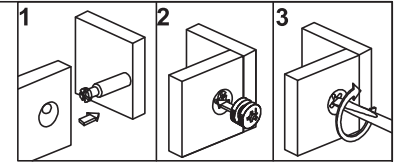
28



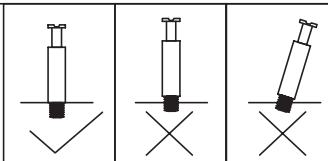
29



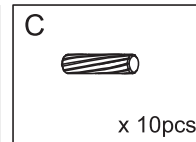
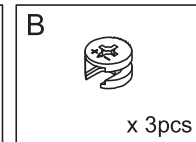
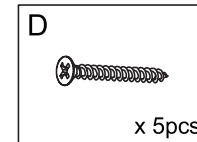
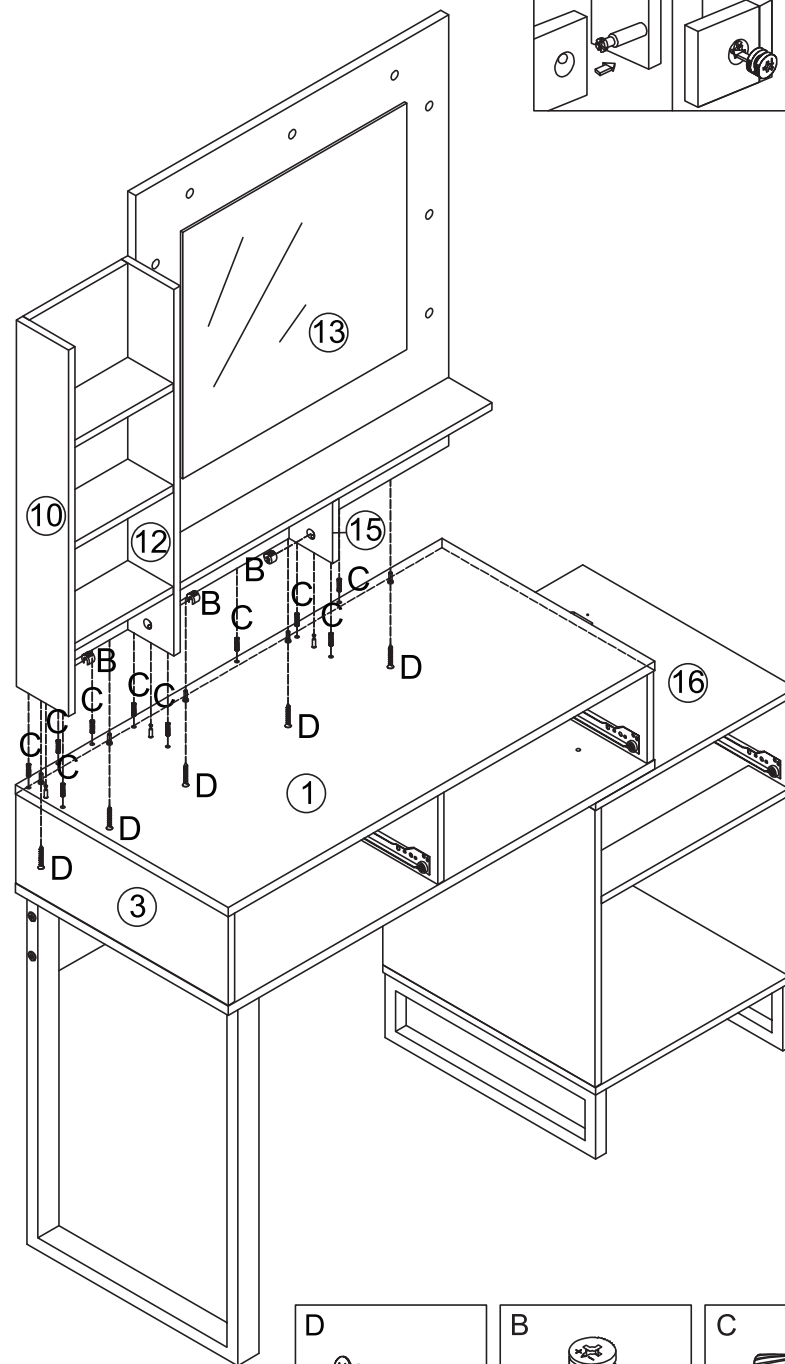
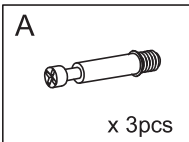
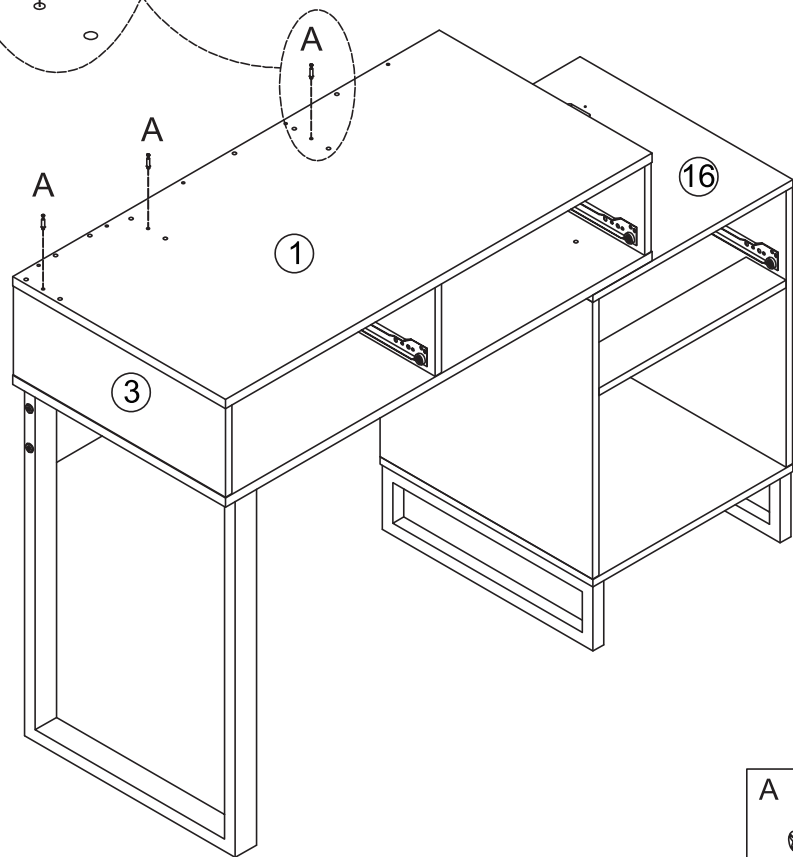
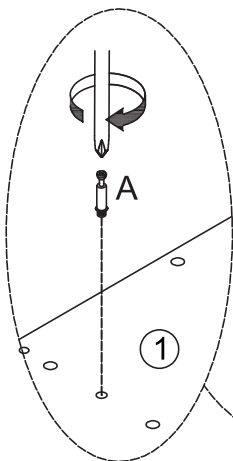
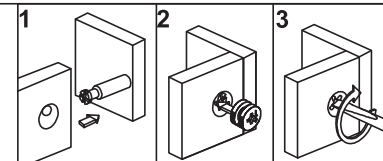
30



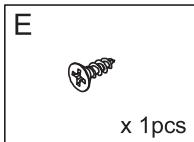
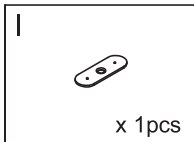
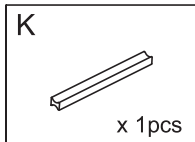
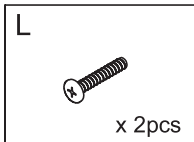
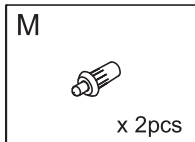
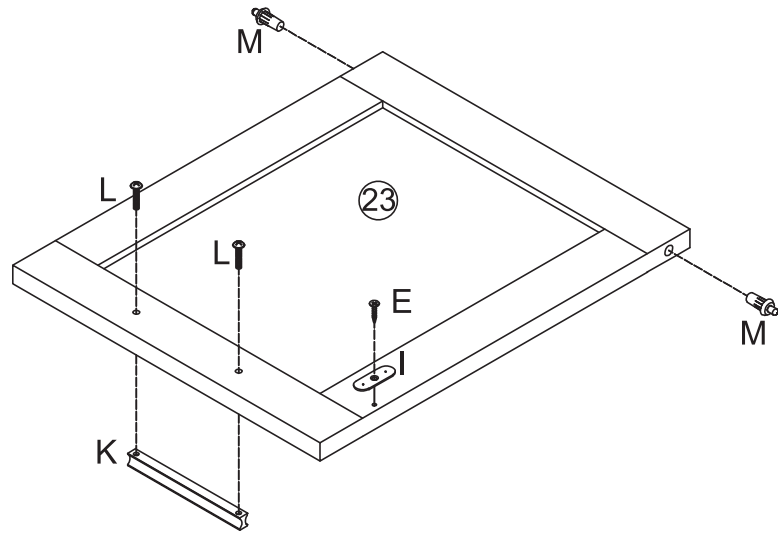
31



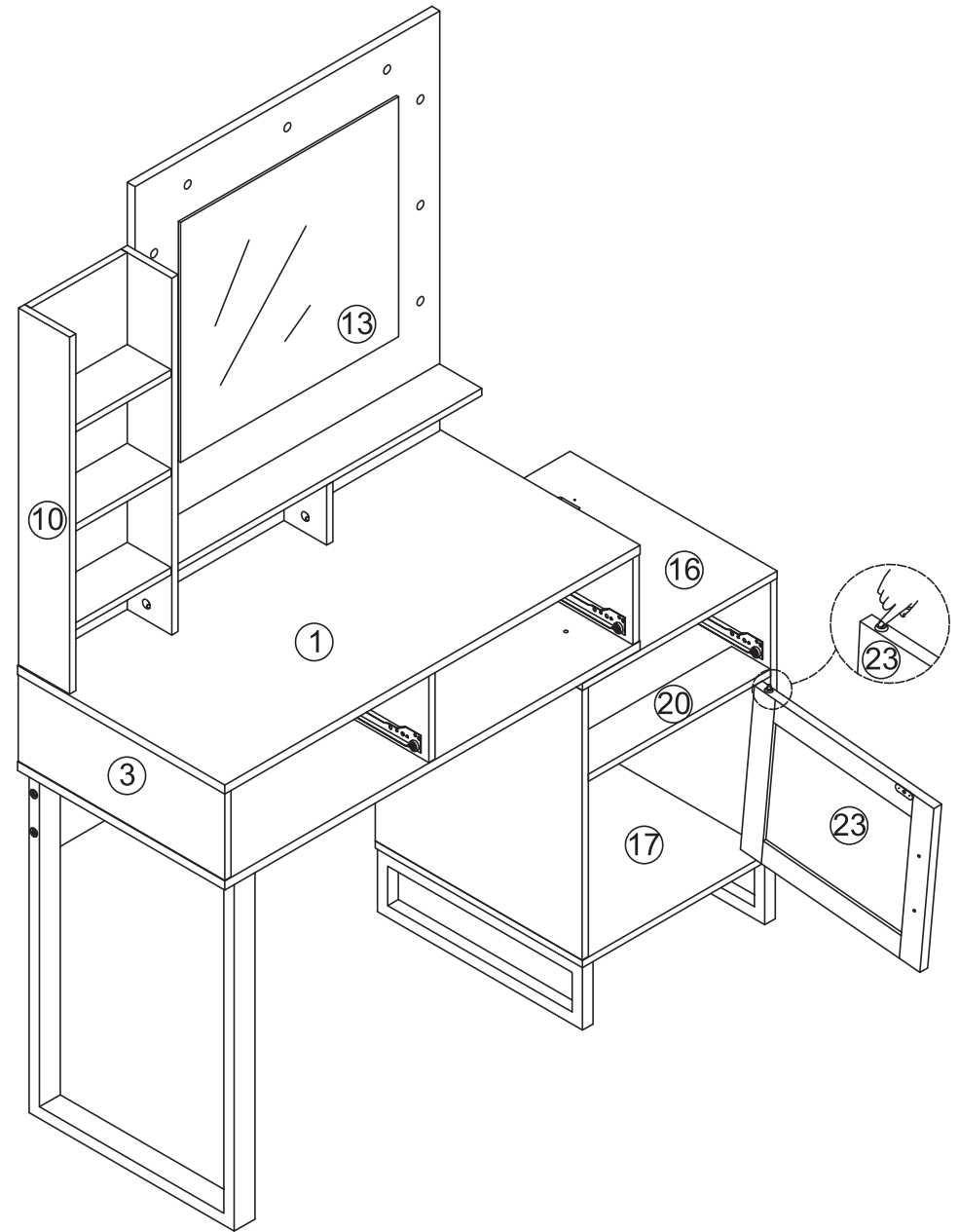
32



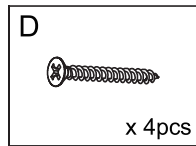
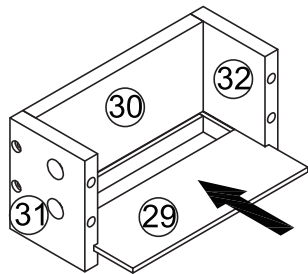
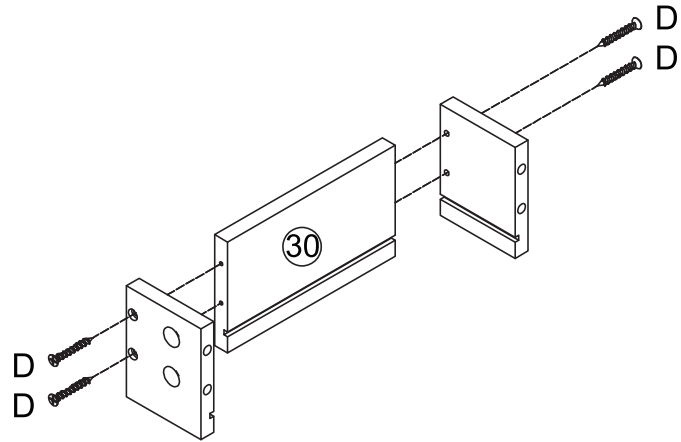
33



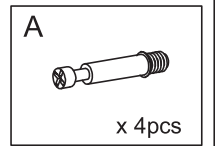
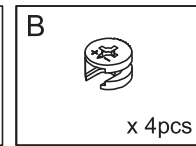
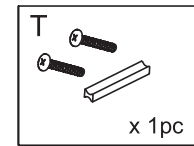
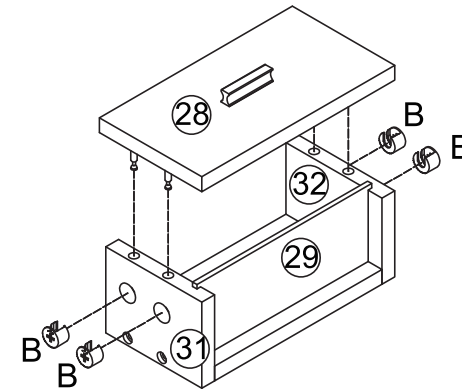
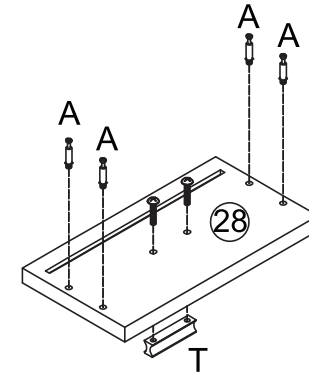
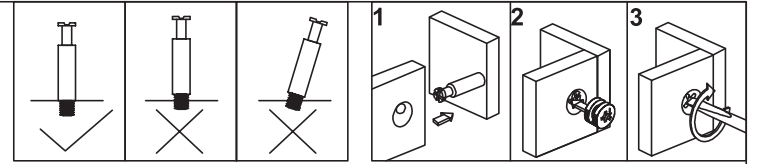
34



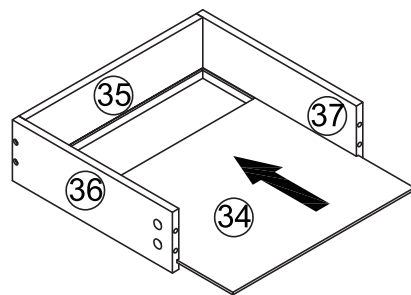
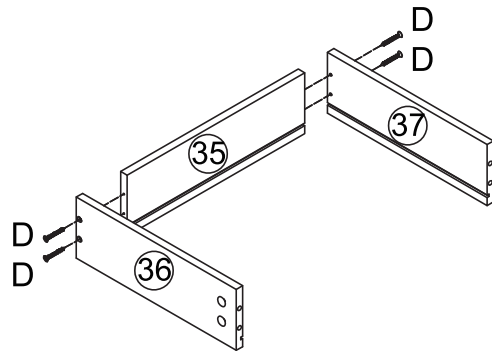
35



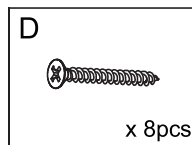
36



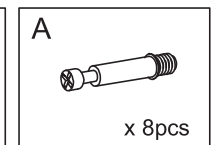
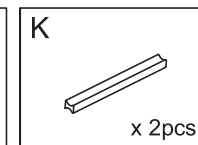
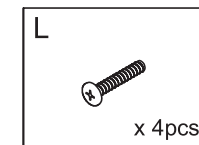
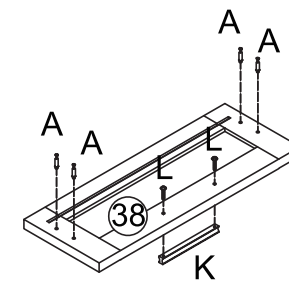
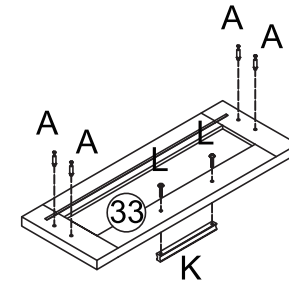
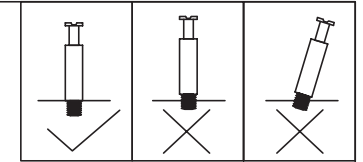
37



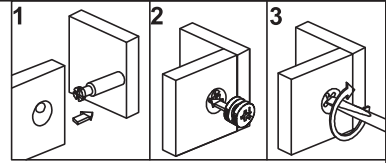
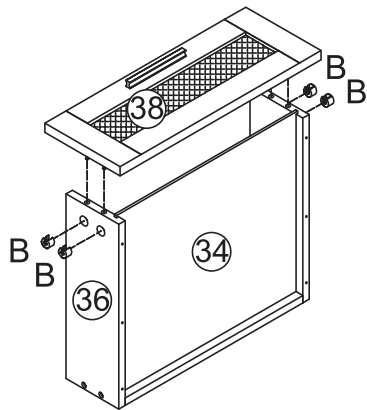
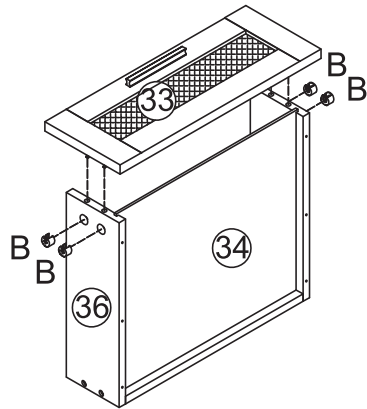
X2



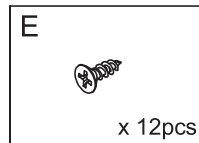
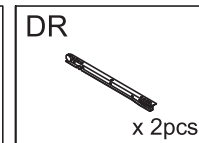
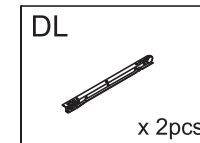
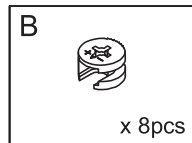
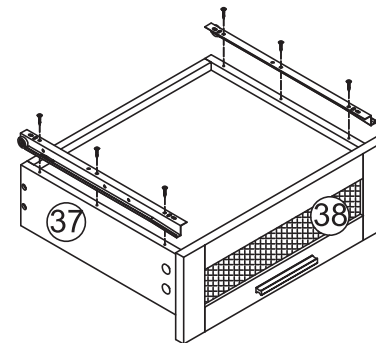
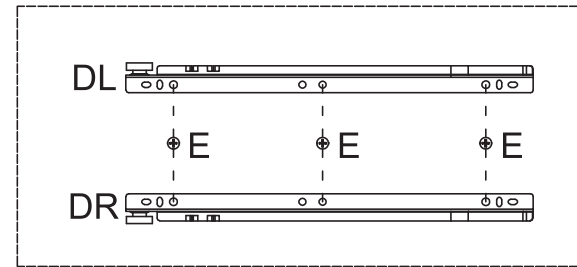
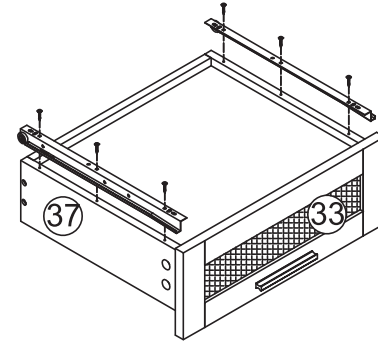
38



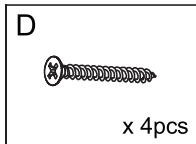
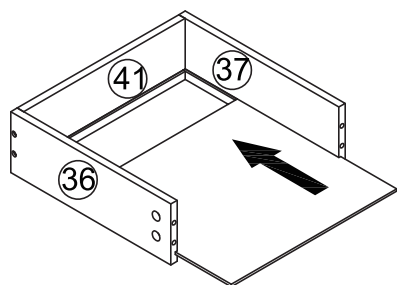
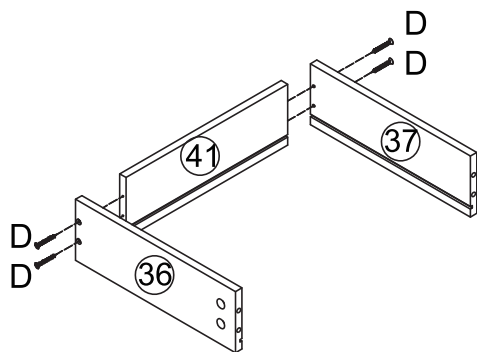
39



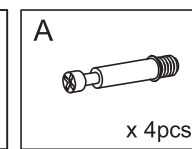
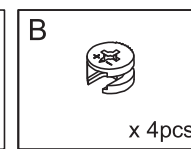
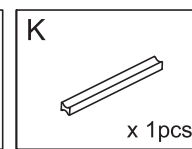
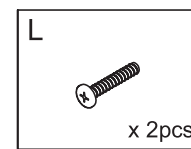
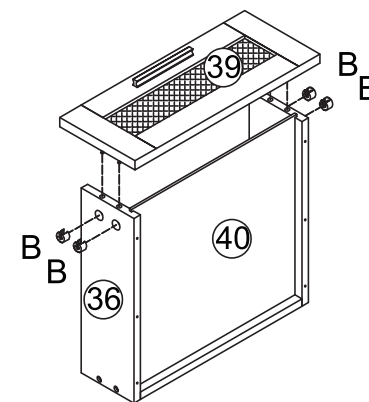
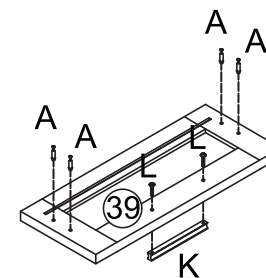
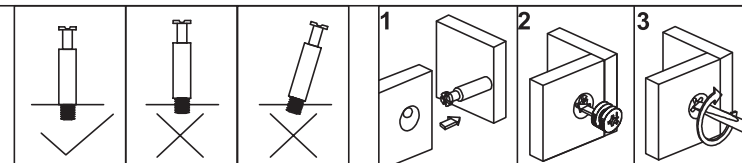
40



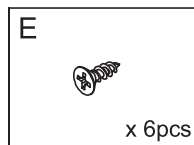
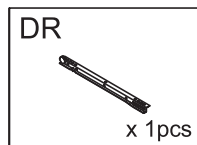
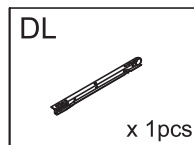
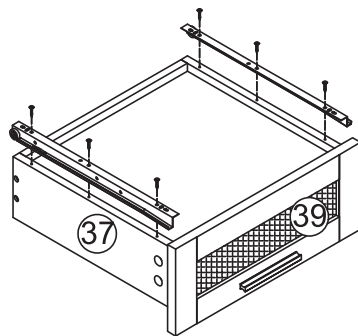
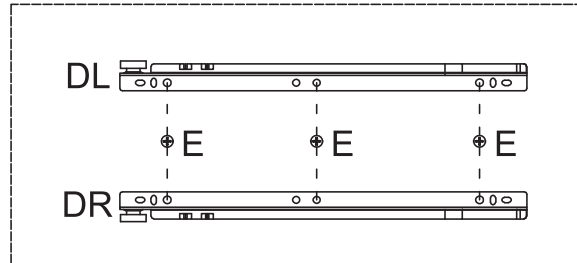
41



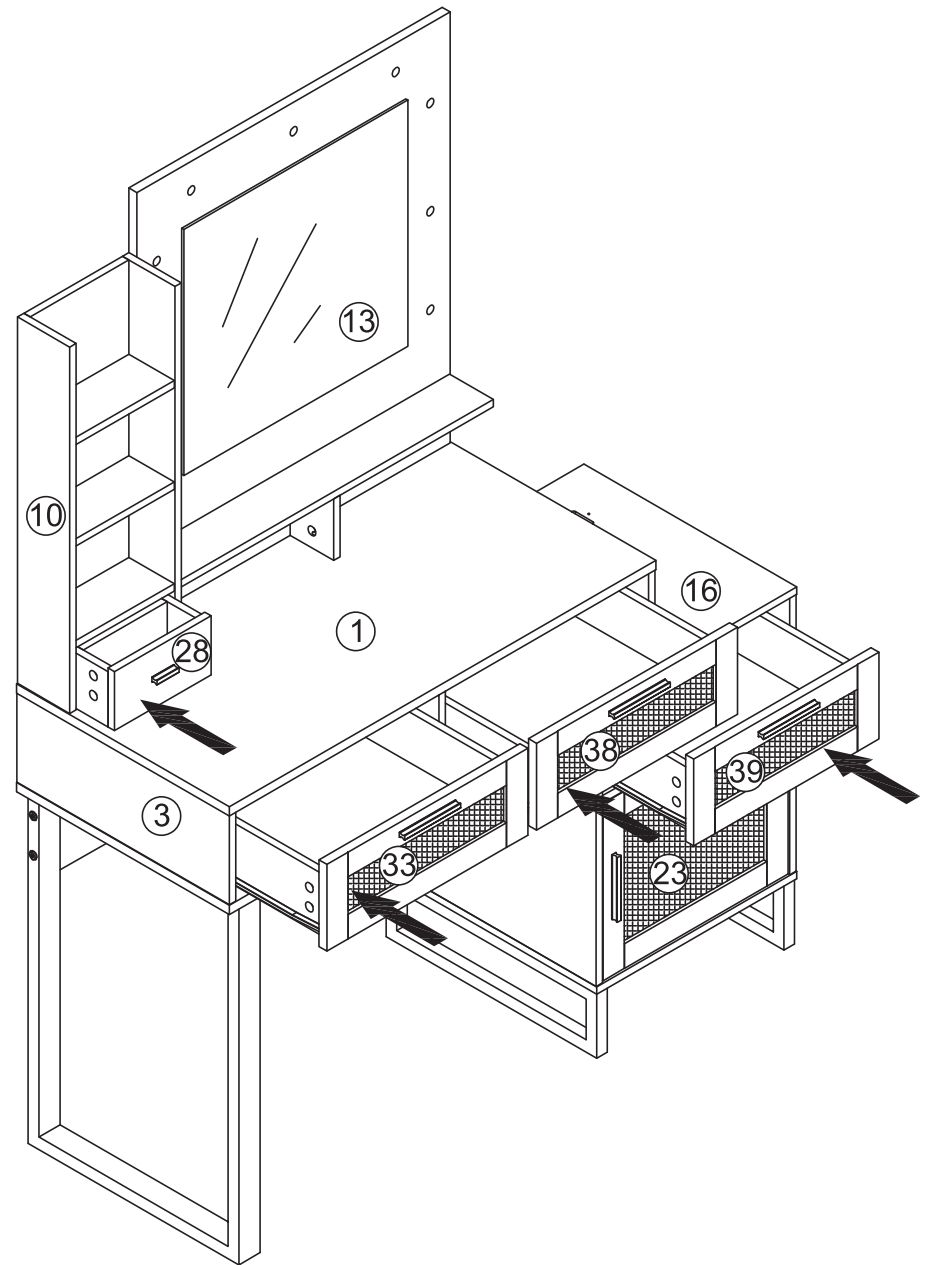
42

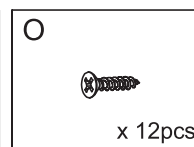
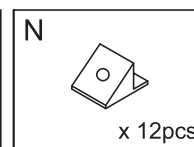
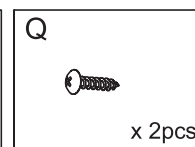
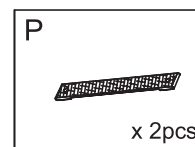
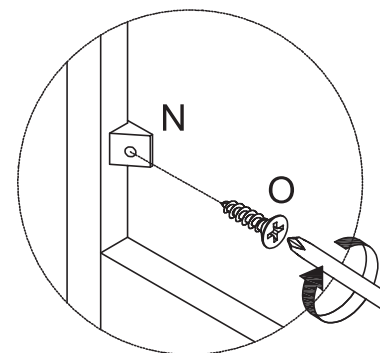
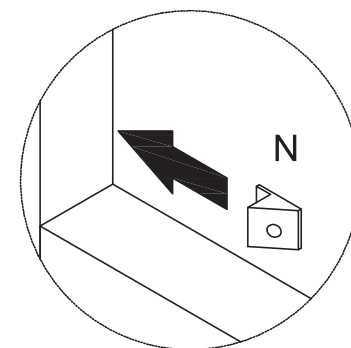
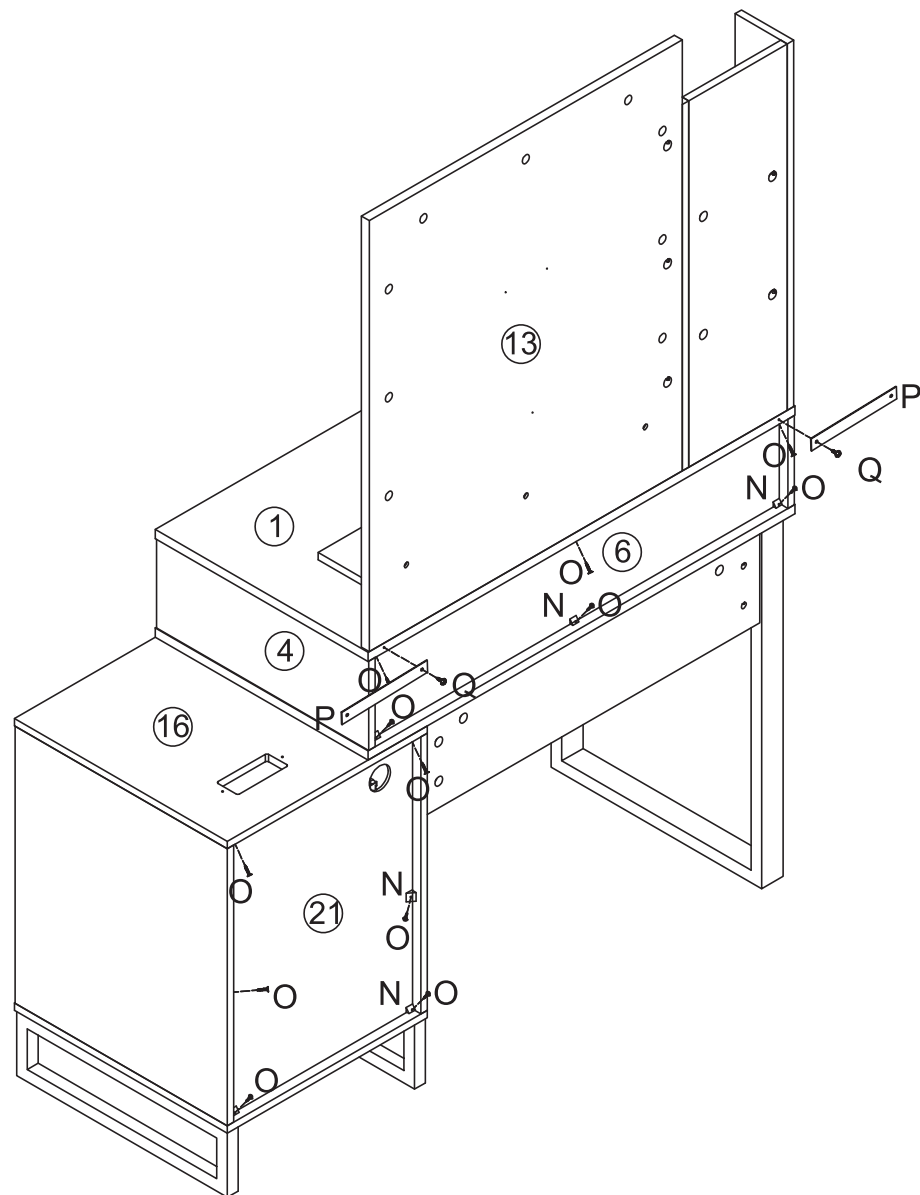


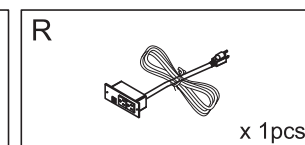
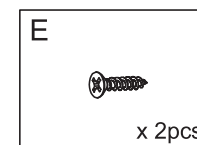
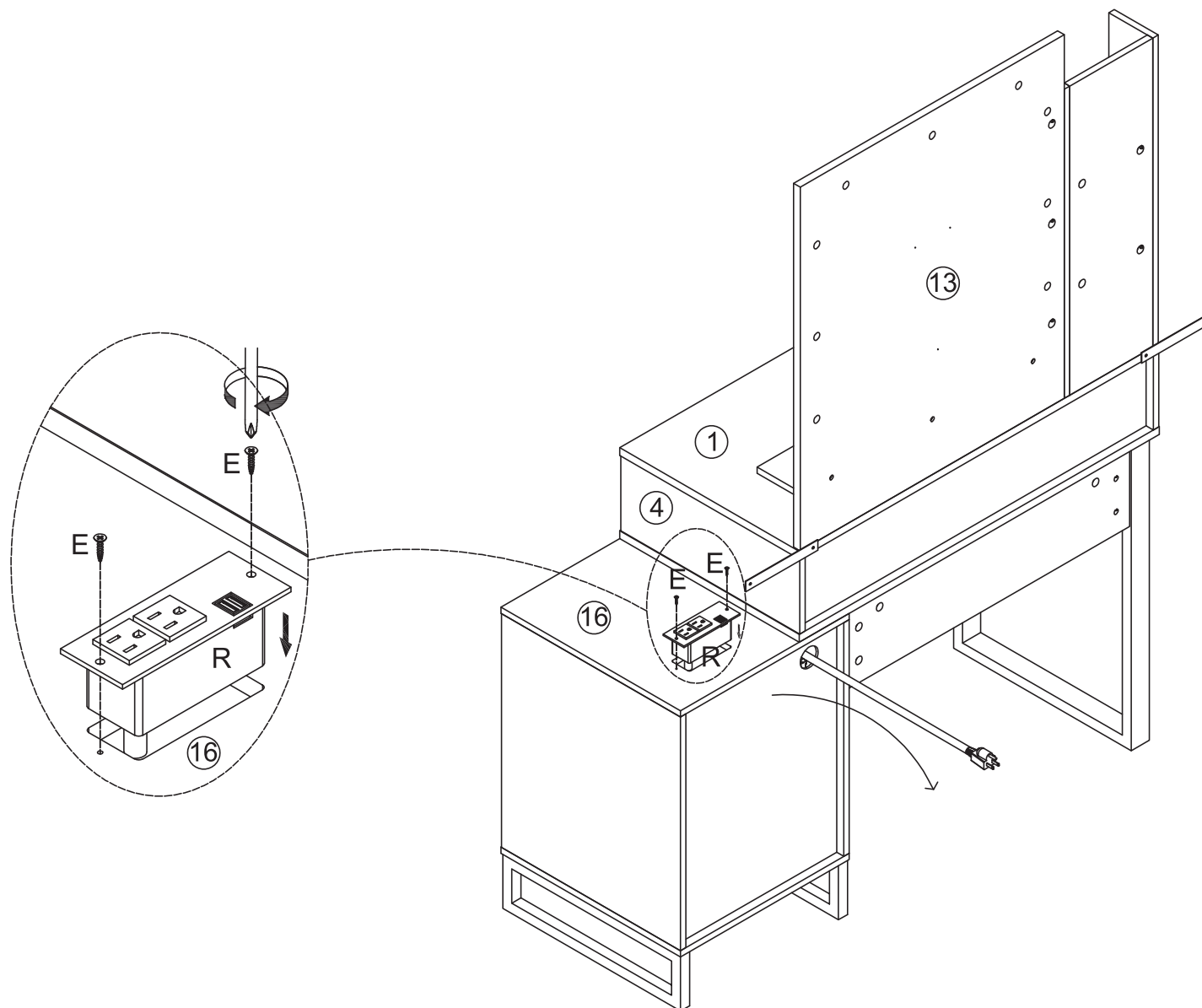
43

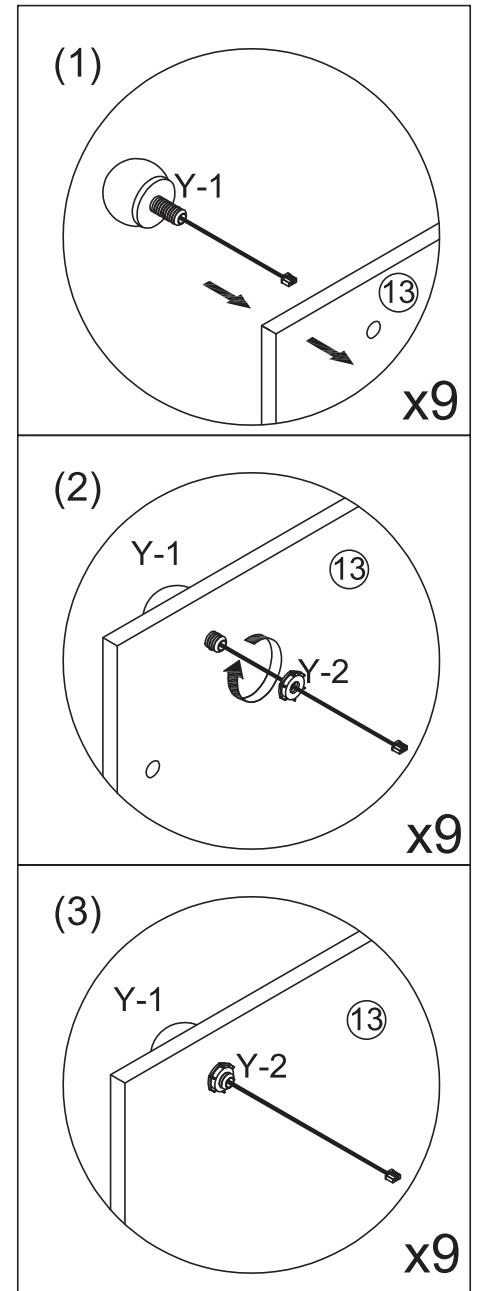
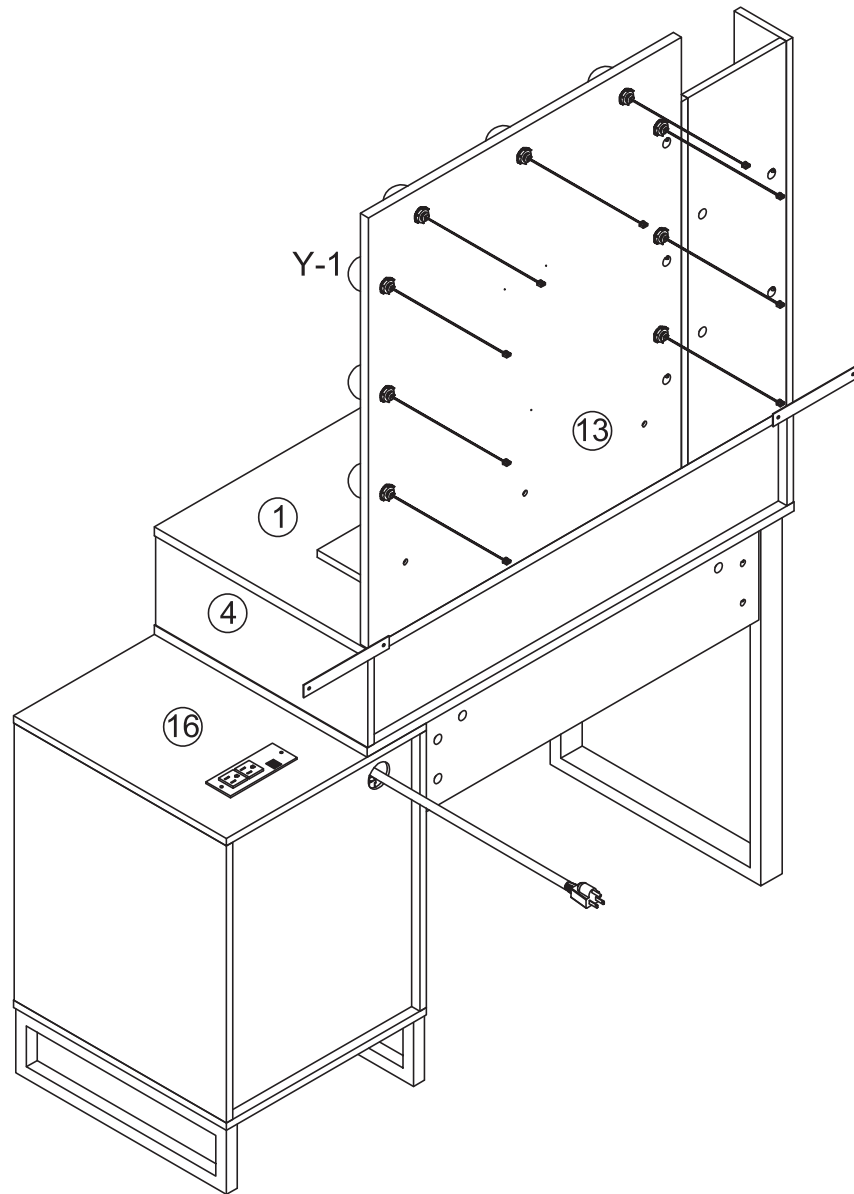




44

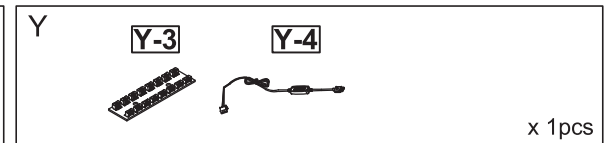
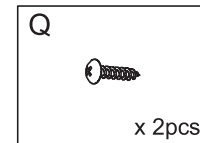
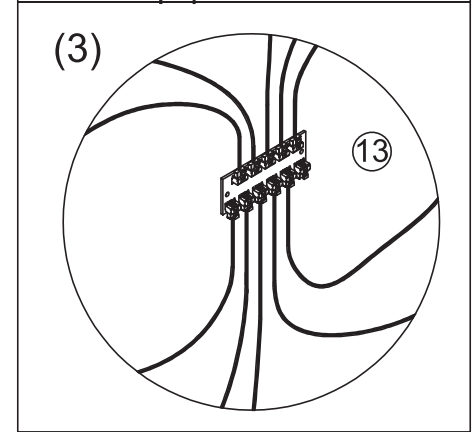
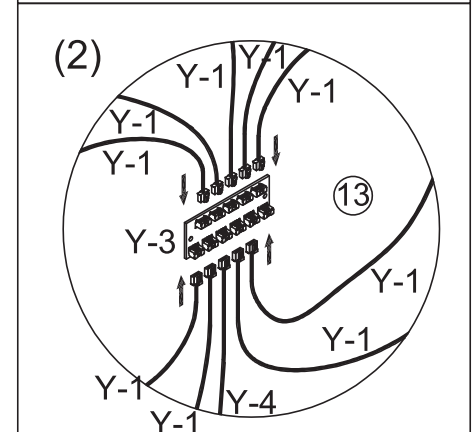
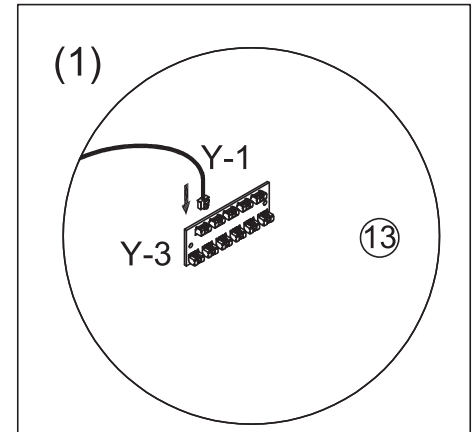
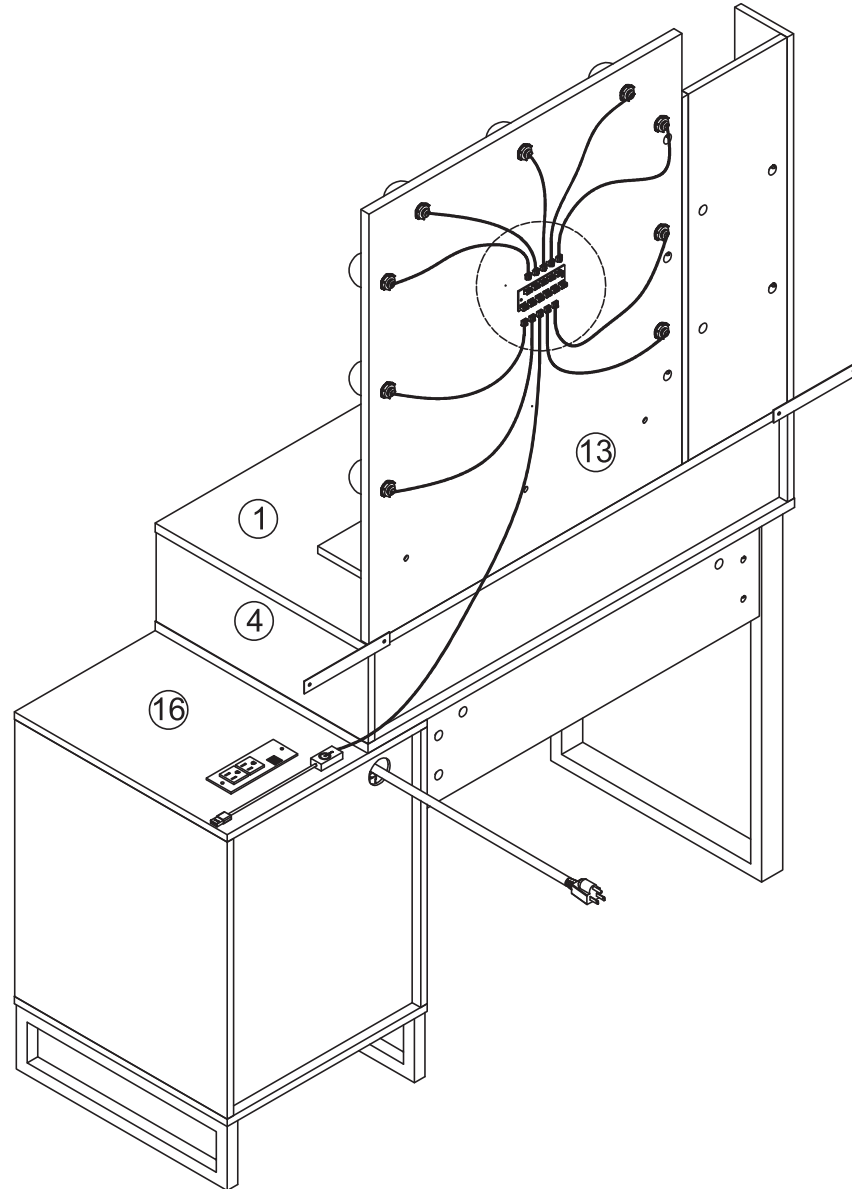


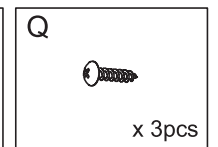
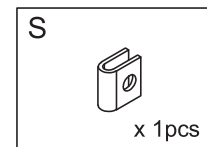
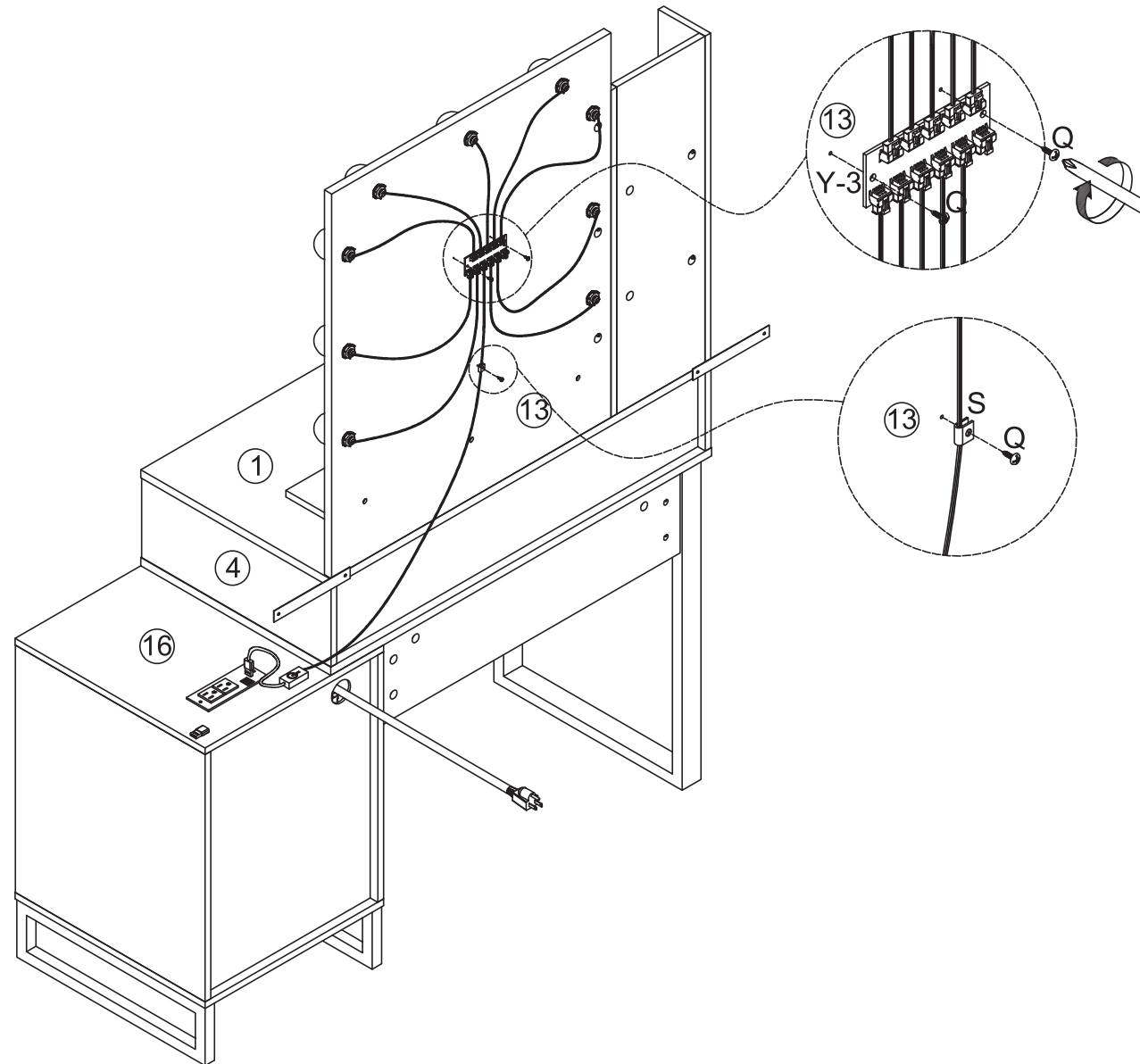


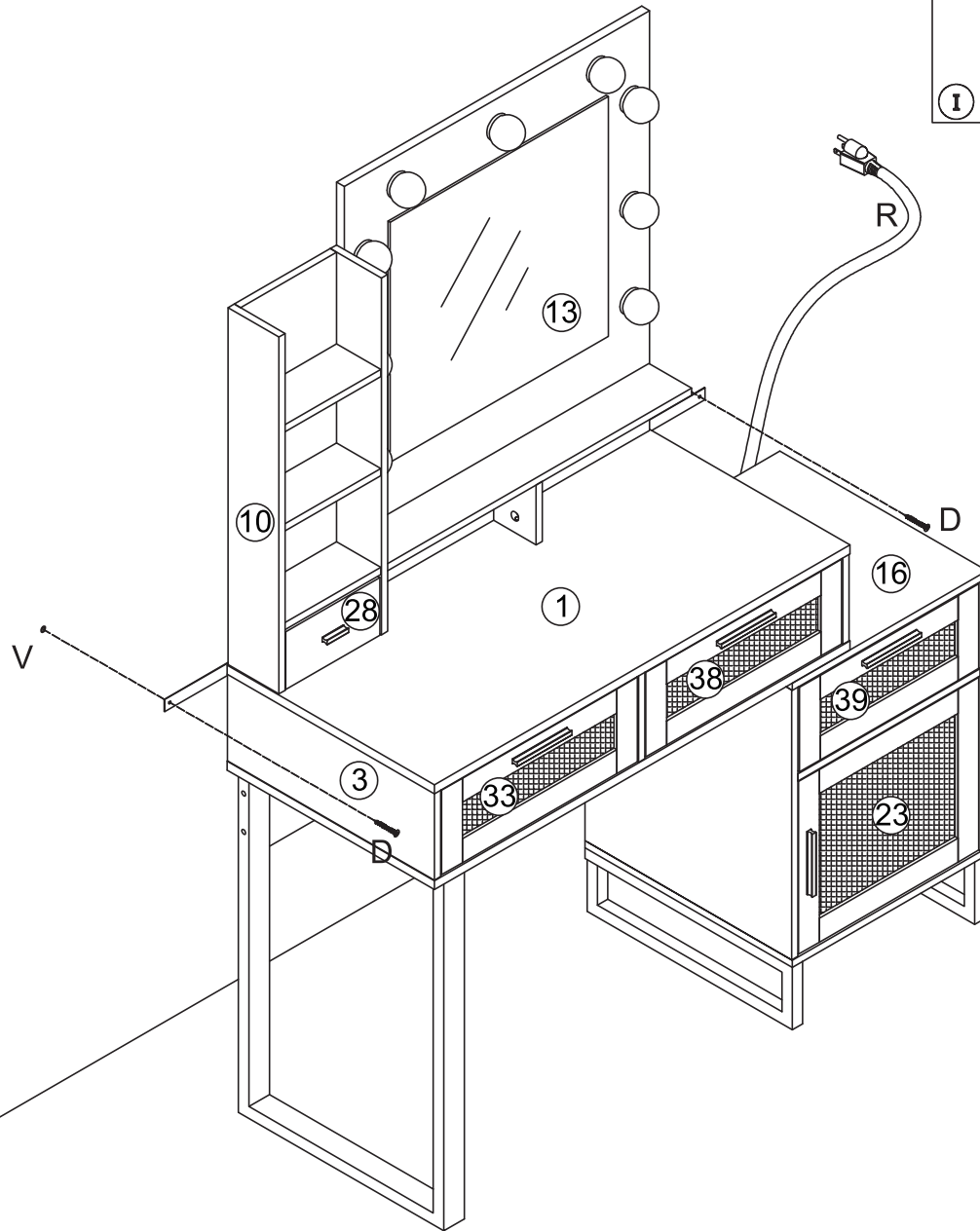
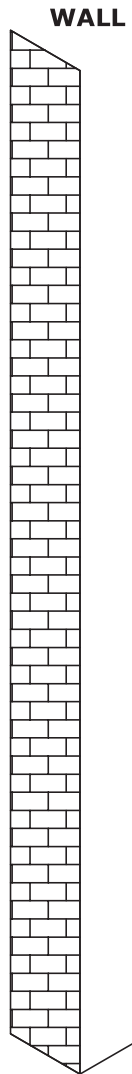




Y	Y-1 x9	Y-2 x9	
			x 1pcs



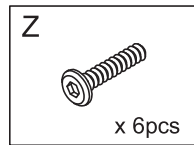
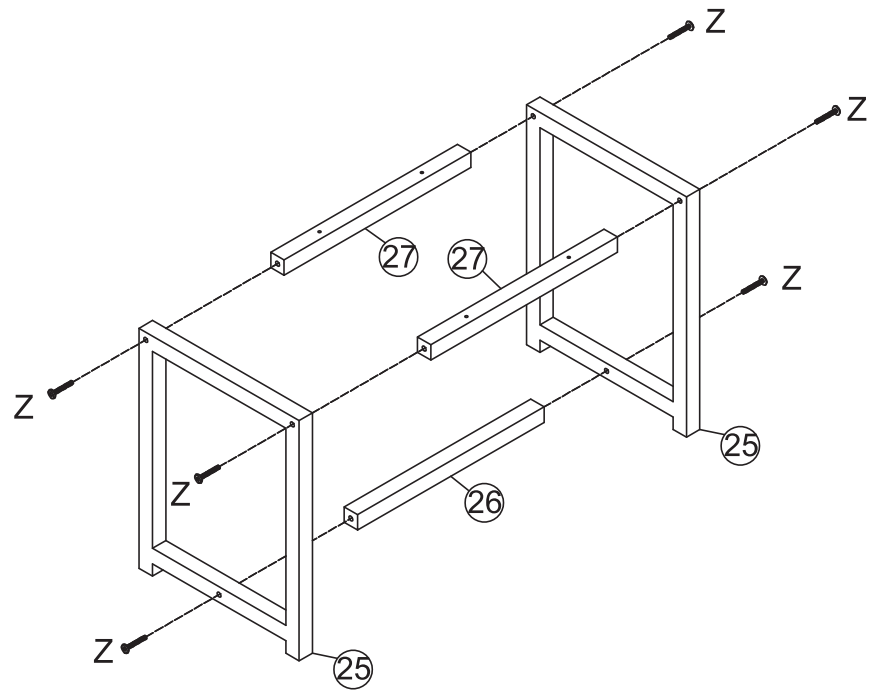




<p>WALL</p> <p>I x2</p>	<p>WALL + drilling hole Ø6x30mm</p> <p>II x2</p>	<p>WALL</p> <p>III x2</p>
-------------------------	--	---------------------------

<p>V</p> <p>x 2pcs</p>	<p>D</p> <p>x 2pcs</p>
------------------------	------------------------

52



53

