
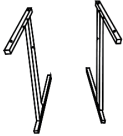



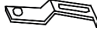





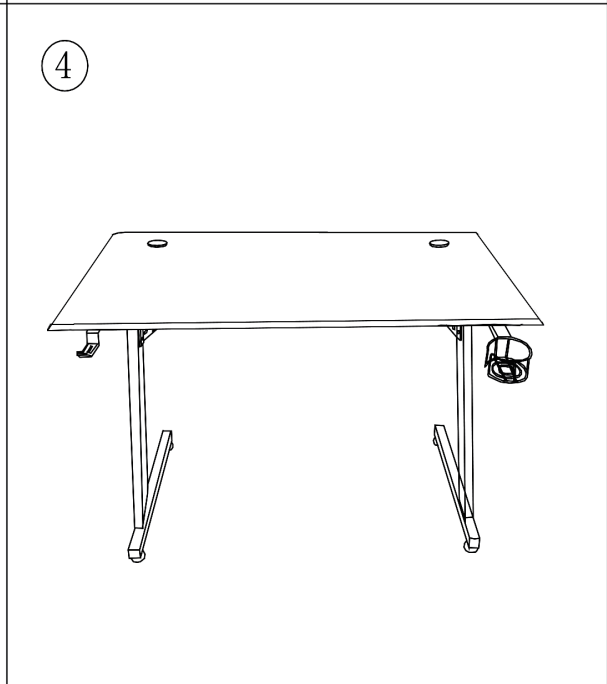
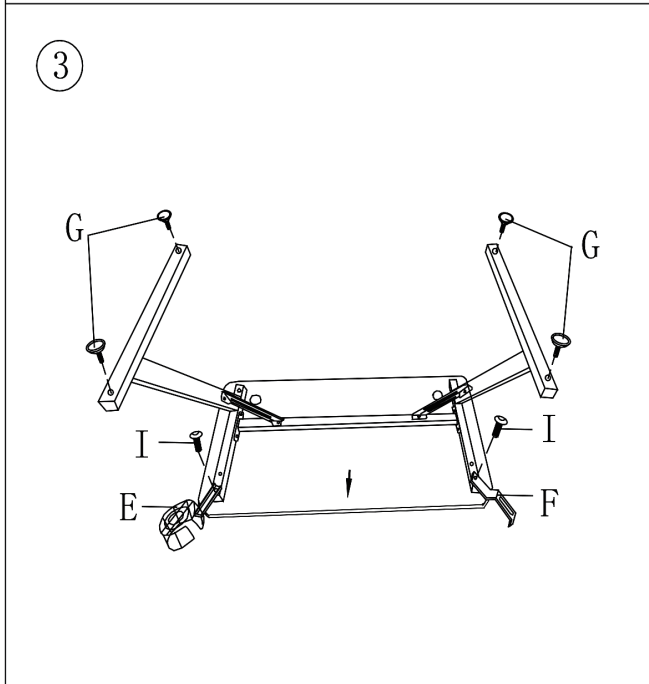
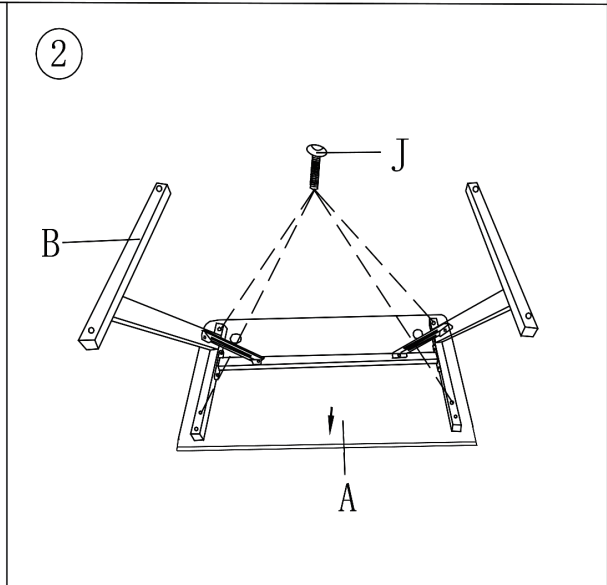
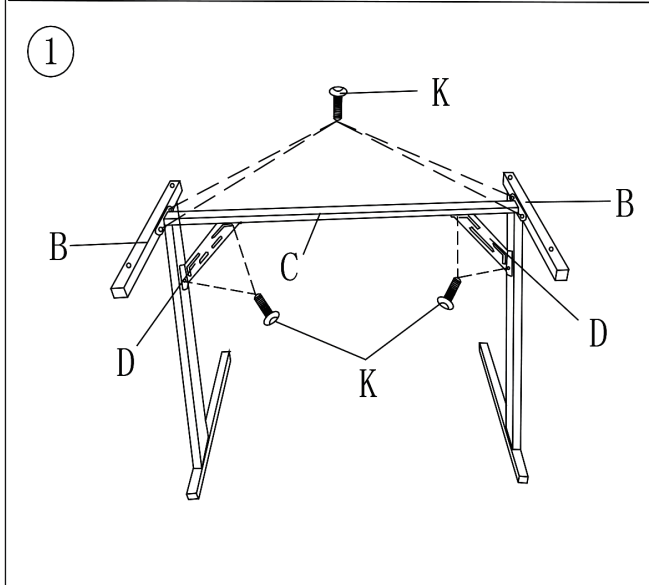


A	B*2	C	D*2	E	F	G*4
						
I*2	J*4	K*8	L			
 M6*16	 M6*50	 M6*16				



Safety & Warnings

1. Indoor use only
2. Any quality or operation problem of the product can be dealt with after-sale by notifying the seller through the platform. If the power cord is damaged, notify the seller via the platform for specialised replacement by the manufacturer or professional to avoid danger.
3. Persons with reduced physical, sensory or mental capacity or lack of experience or knowledge should use the product under supervision and with knowledge of the dangers.

4. Keep the appliance and its cord out of the reach of children under 8 years of age. Do not allow children to operate the machine independently to avoid accidents.
5. Never leave the appliance unattended while it is connected to a power source.