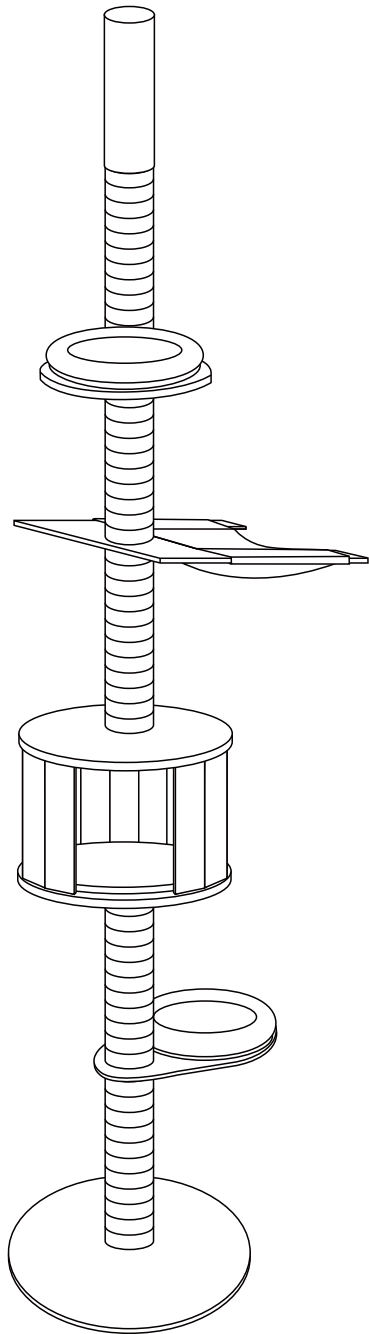
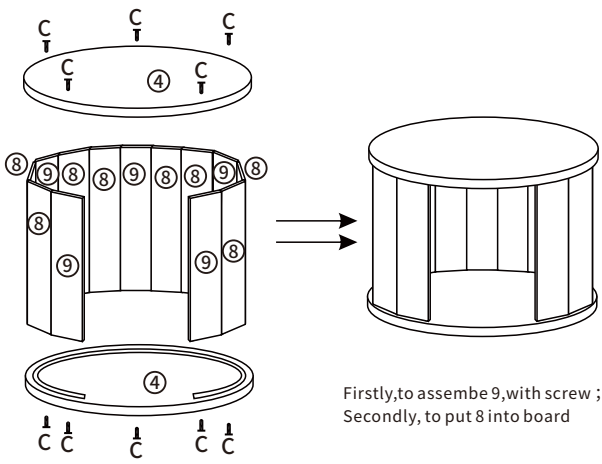


CAT TREE ASSEMBLY INSTRUCTION

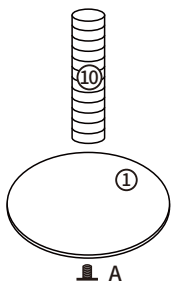


①		1pc	48*48cm	⑨		5pc	26*8cm
②		2pc	44*34cm	⑩		5pcs	40cm
③		2pc	∅ 30cm	⑪		1pc	M10*30cm
④		2pc	∅ 45cm	A		3pcs	M10*40mm
⑤		1pc	40*40cm	B		3pcs	M10*90mm
⑥		1pc	44.5*25cm	C		10pcs	M4*27mm
⑦		1pc	∅ 40cm	D		1pcs	M5
⑧		8pc	26*8cm				

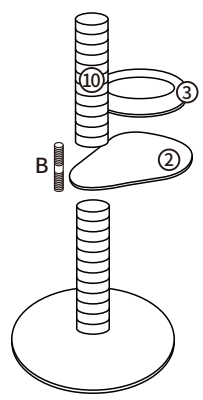


Firstly, to assemble 9, with screw ;
Secondly, to put 8 into board

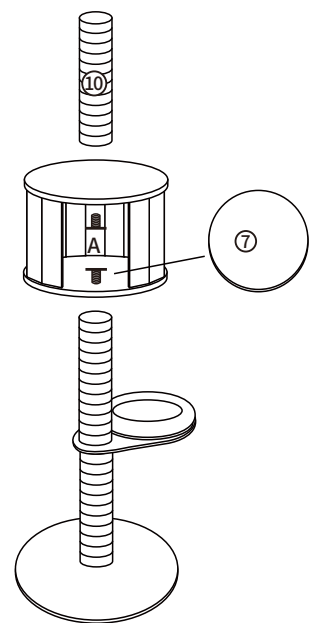
Step 1



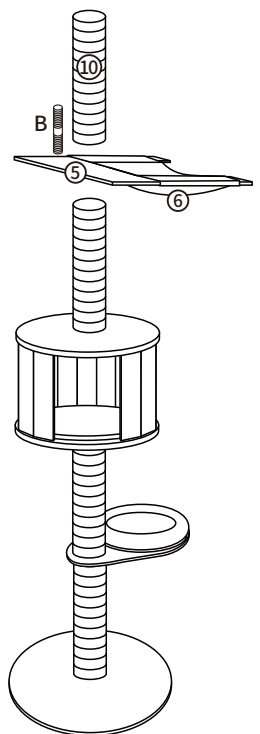
Step 2



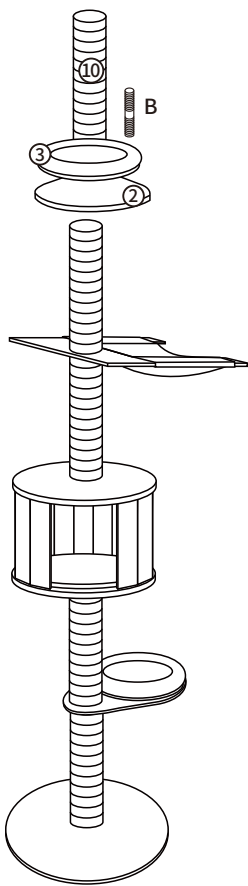
Step 3



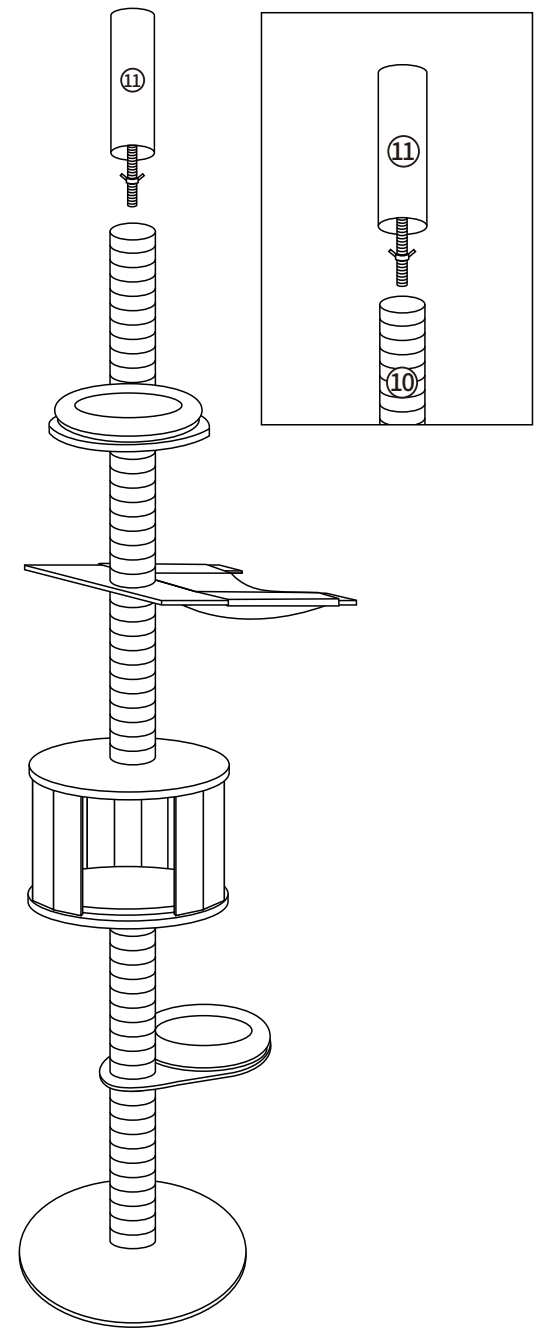
Step 4



Step 5



Step 6



Step 7