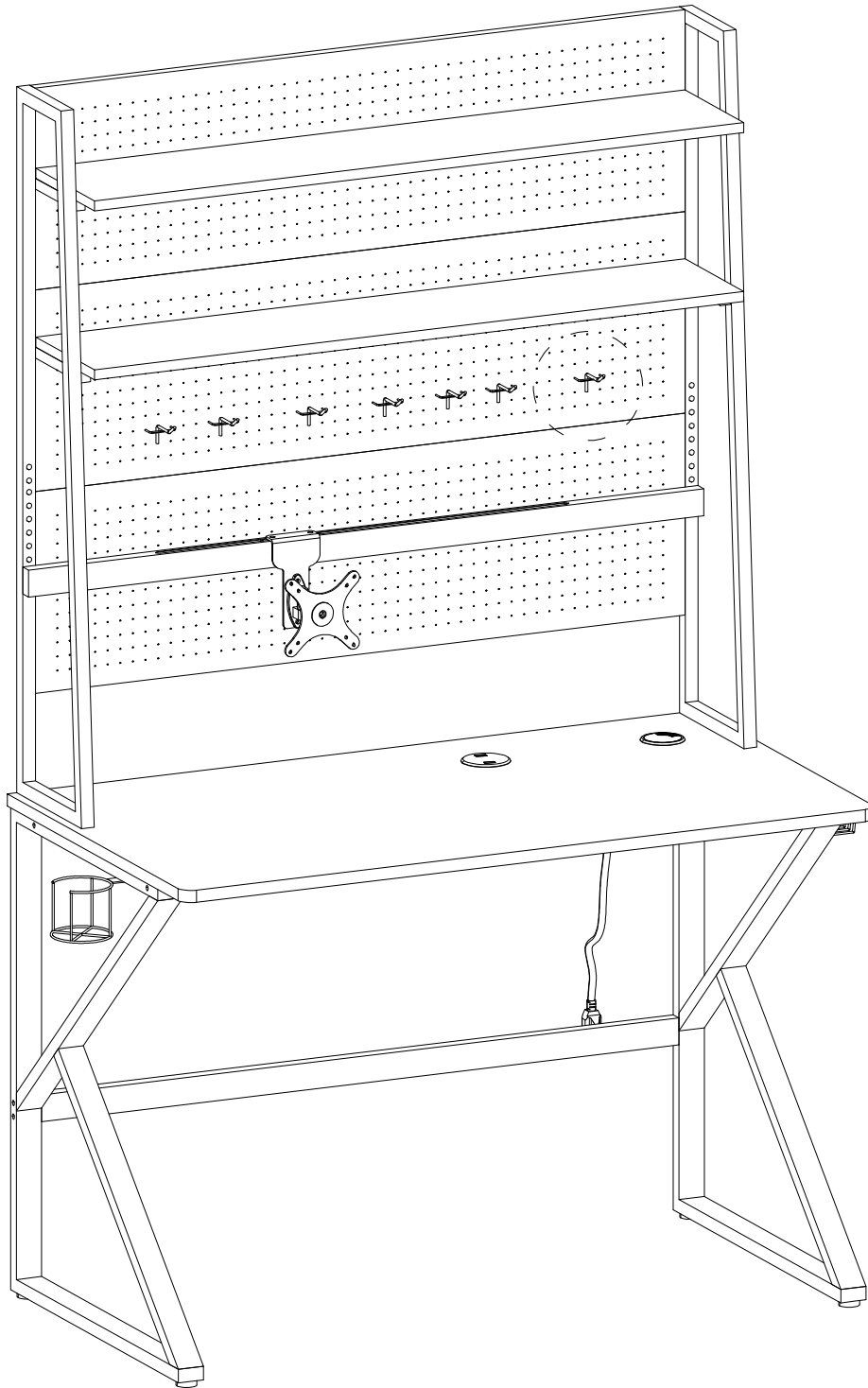
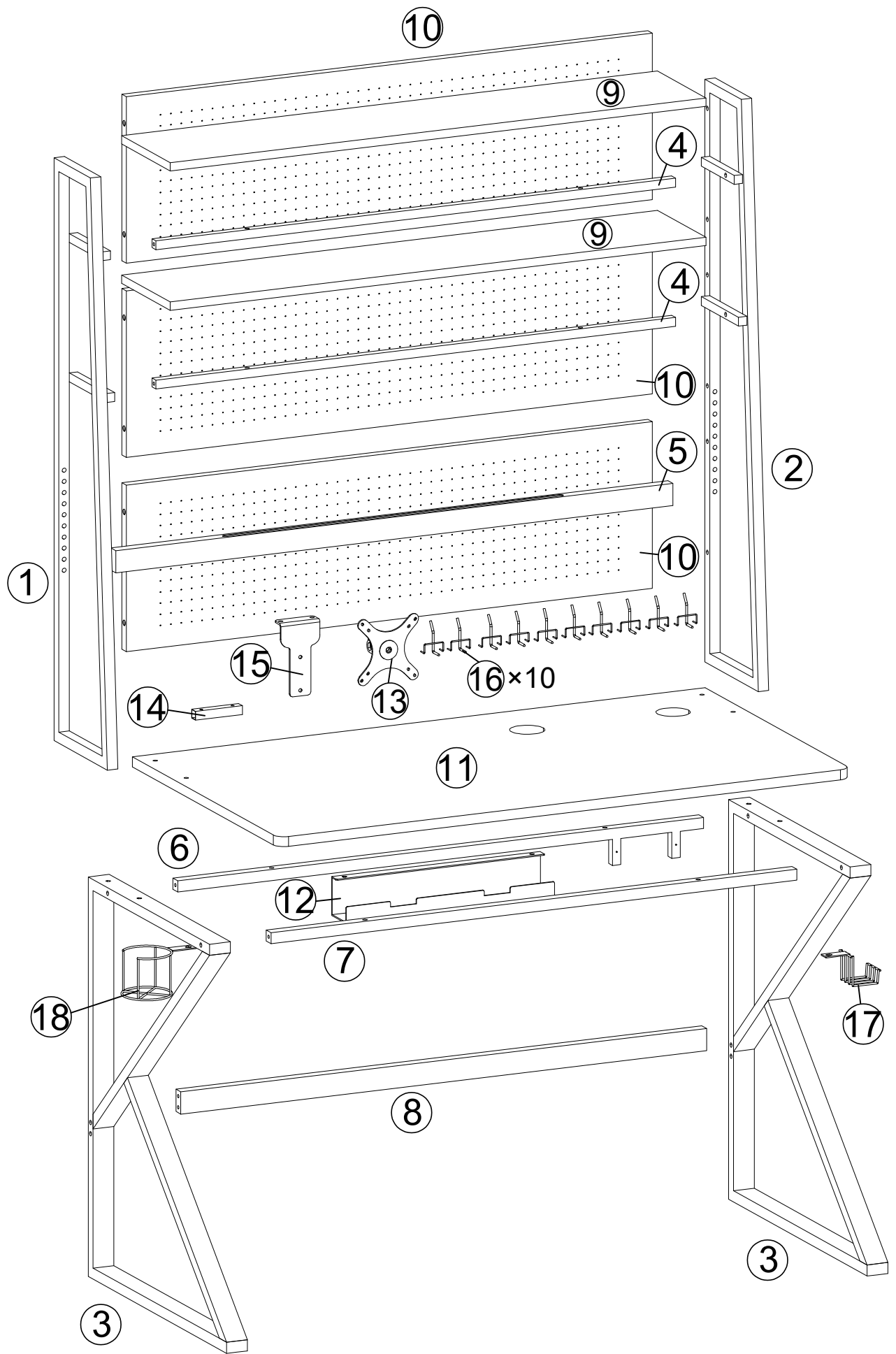


US-0C126-BX-X

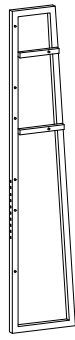






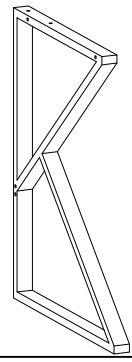
①

1PC



②

1PC



③

2PCS



④

2PCS



⑤

1PC



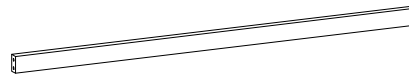
⑥

1PC



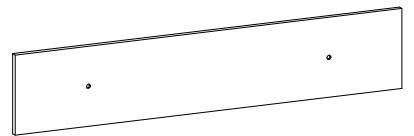
⑦

1PC



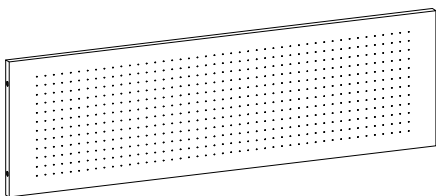
⑧

1PC



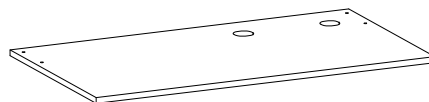
⑨

2PCS



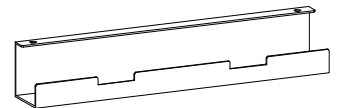
⑩

3PCS



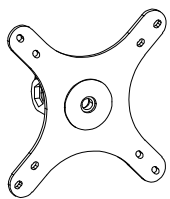
⑪

1PC



⑫

1PC



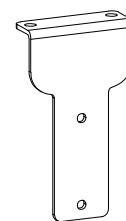
13

1PC



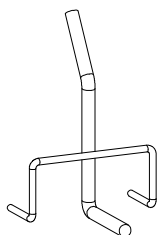
14

1PC



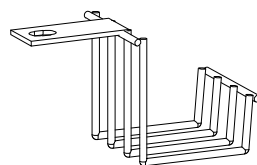
15

1PC



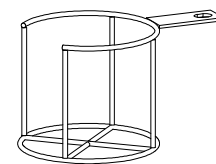
16

10PCS



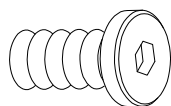
17

1PC



18

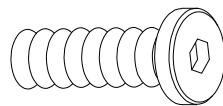
1PC



M6×15mm

A

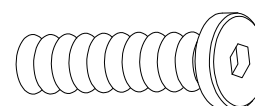
20PCS



M6×25mm

B

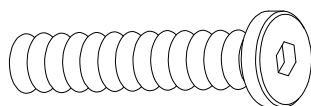
4PCS



M6×30mm

C

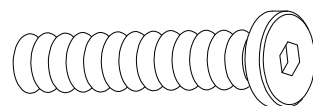
8PCS



M6×40mm

D

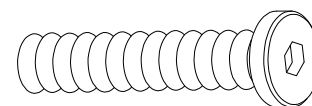
4PCS



M6×50mm

E

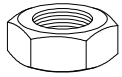
4PCS



M6×60mm

F

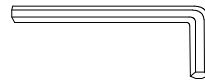
8PCS



M6×10mm

Ⓒ

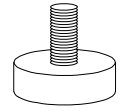
2PCS



M4mm

Ⓓ

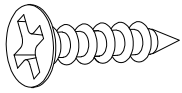
1PC



M6×Ø32mm

Ⓔ

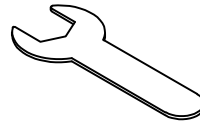
4PCS



3.5×14mm

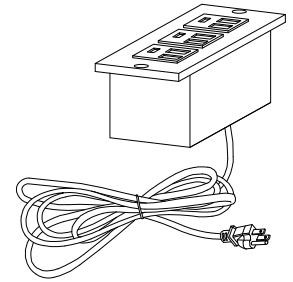
Ⓙ

2PCS



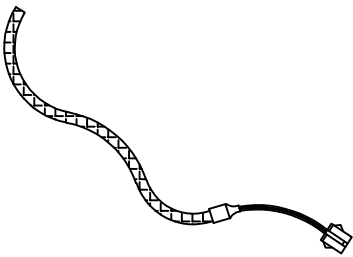
Ⓚ

1PC



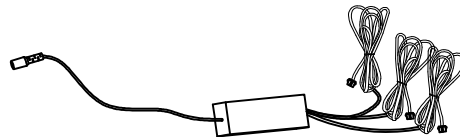
Ⓛ

1PC



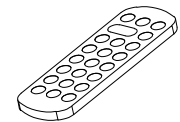
Ⓜ

2PCS



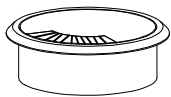
Ⓝ

1PC



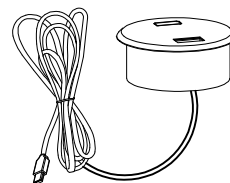
Ⓞ

1PC



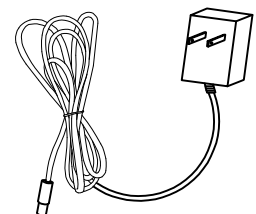
Ⓟ

1PC



Ⓠ

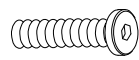
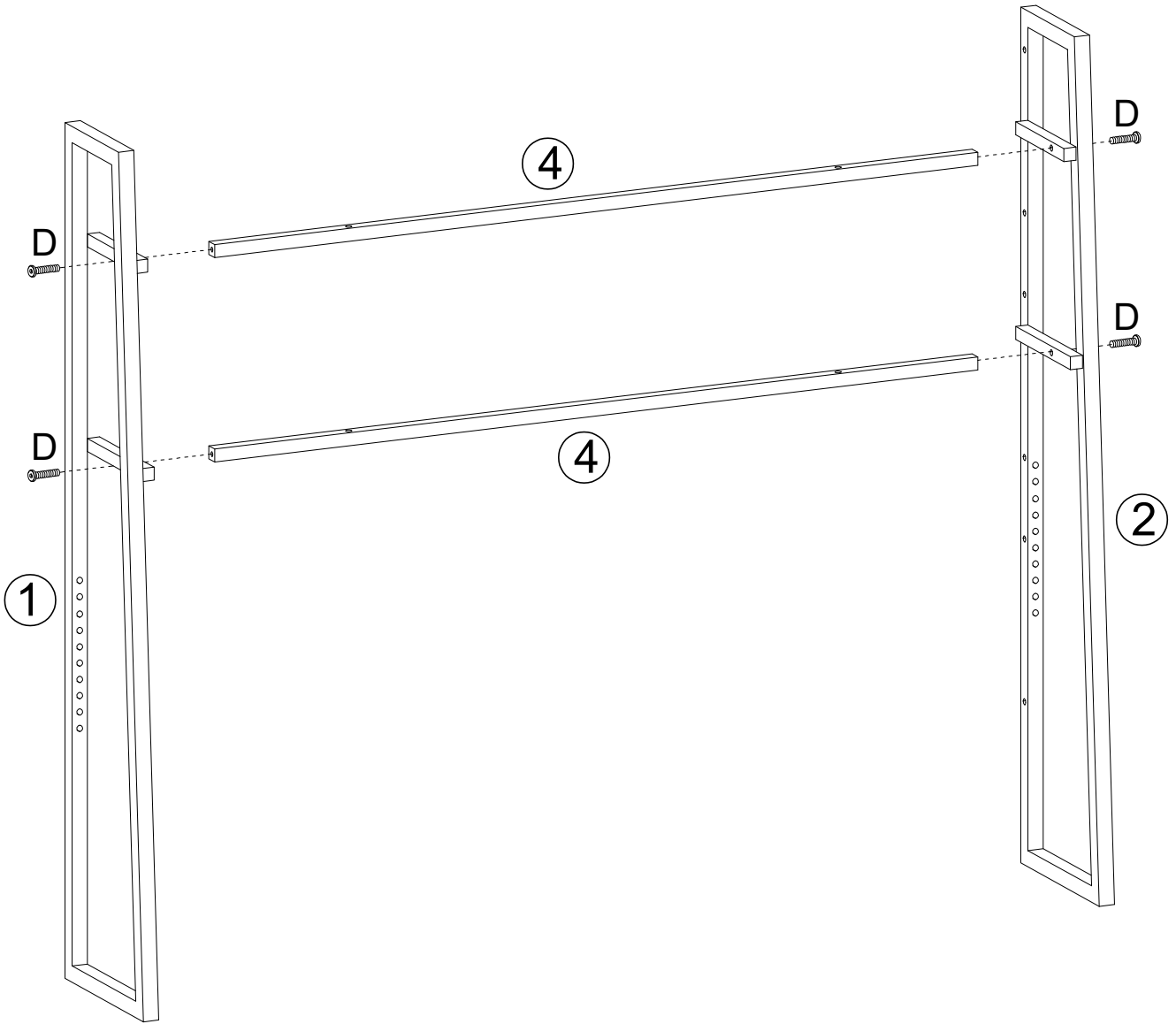
1PC



Ⓡ

1PC

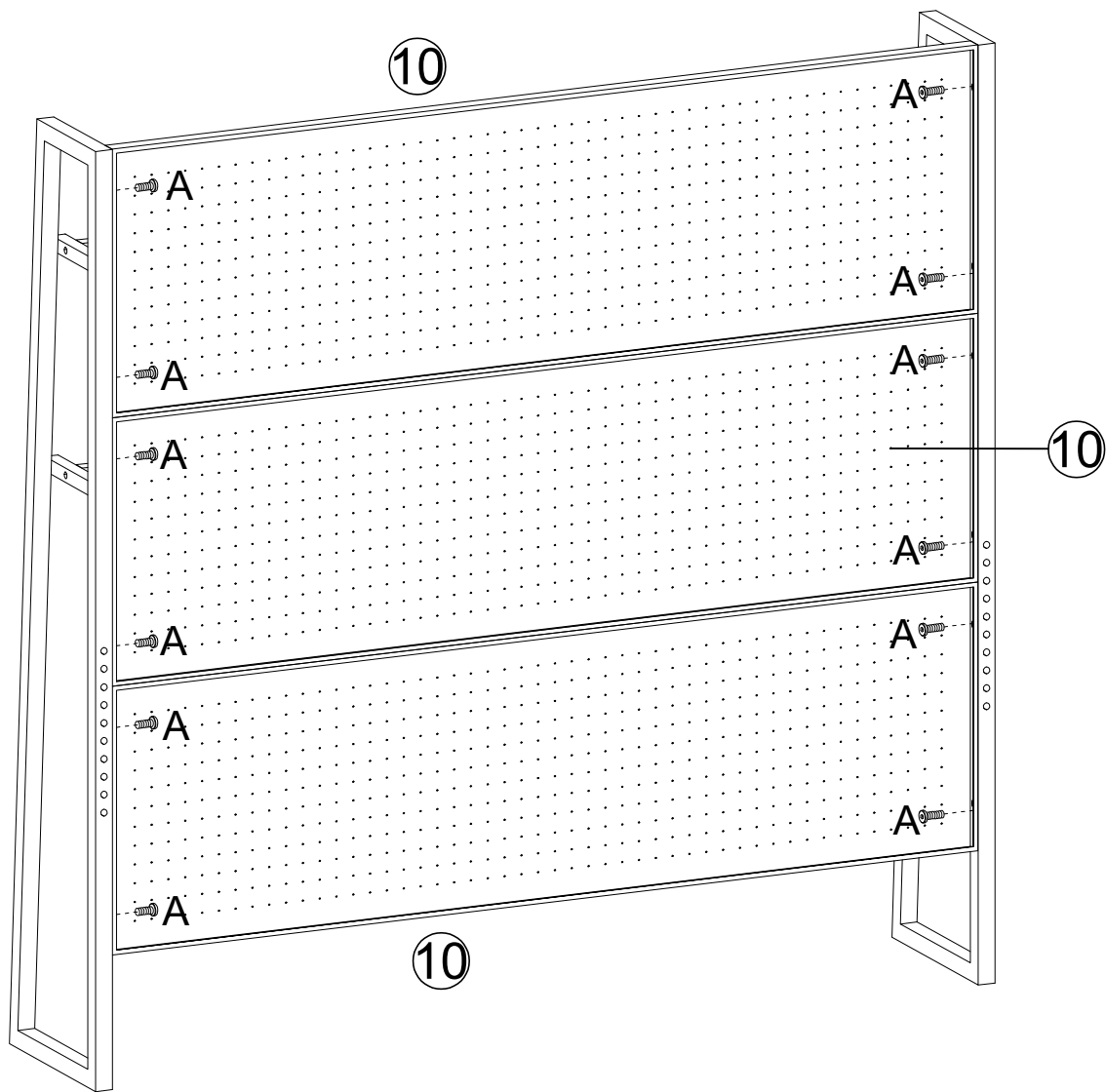
1



D×4

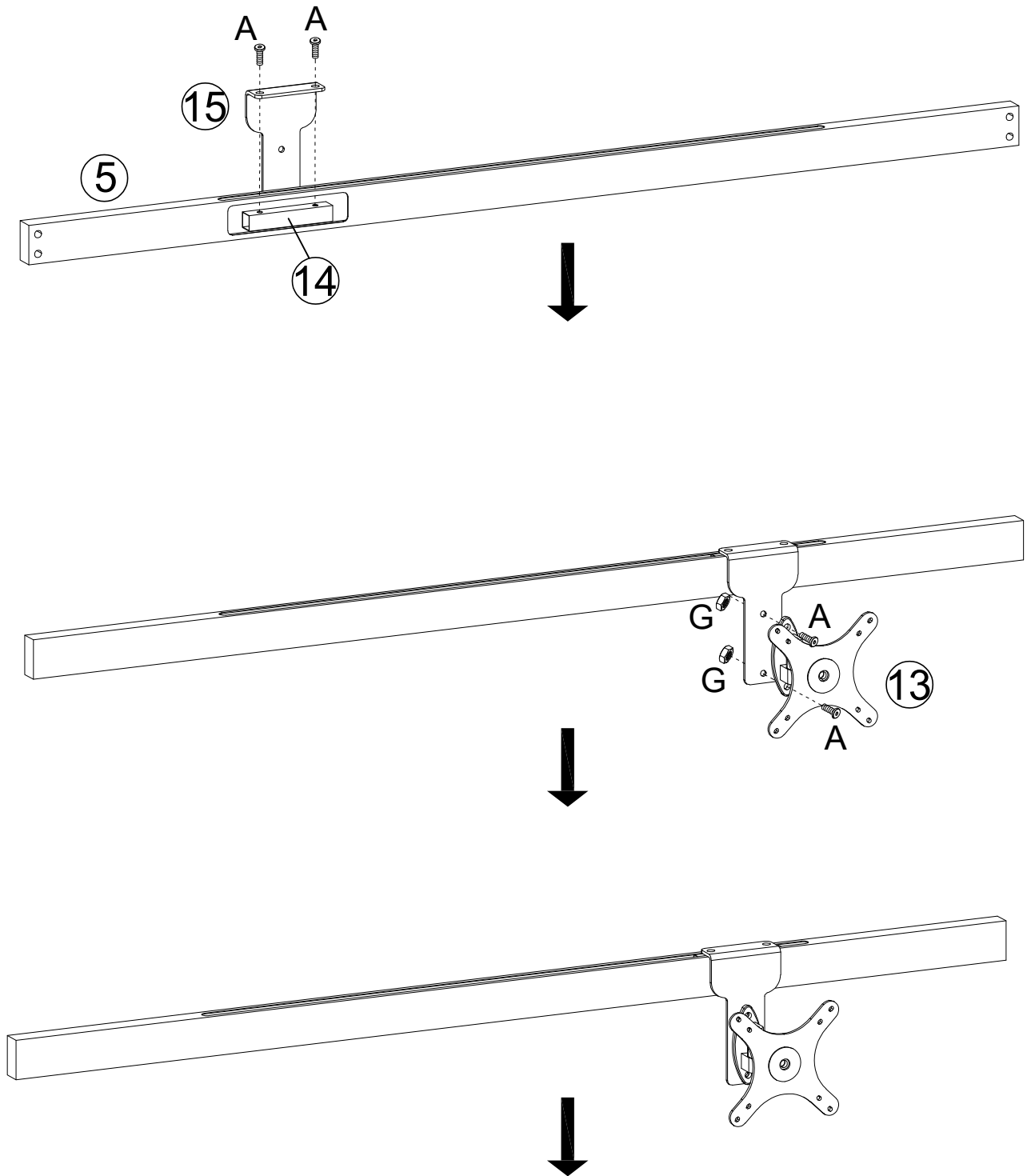


H×1



A×12

3



A×4

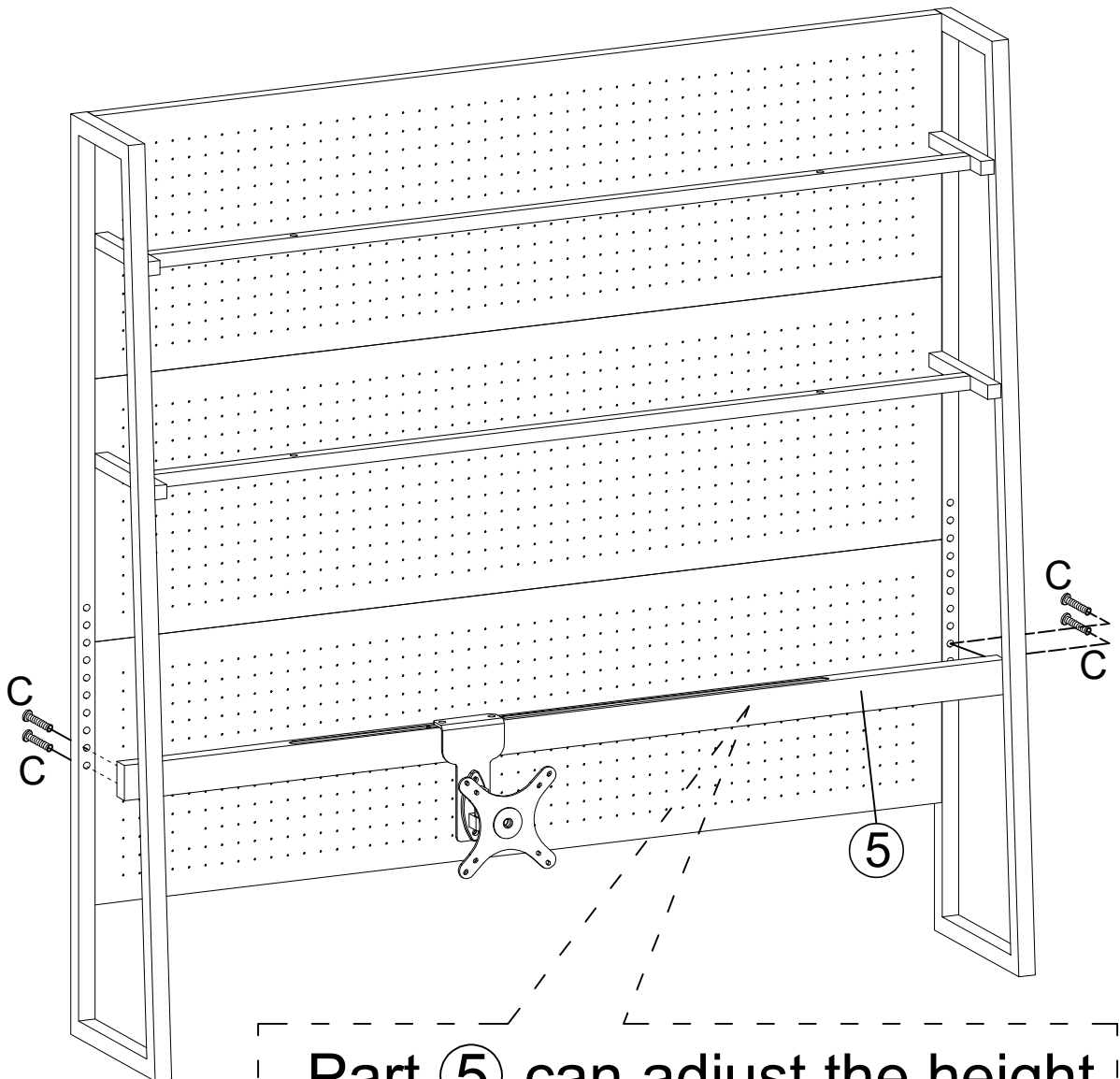


G×2

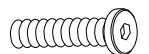


K×1



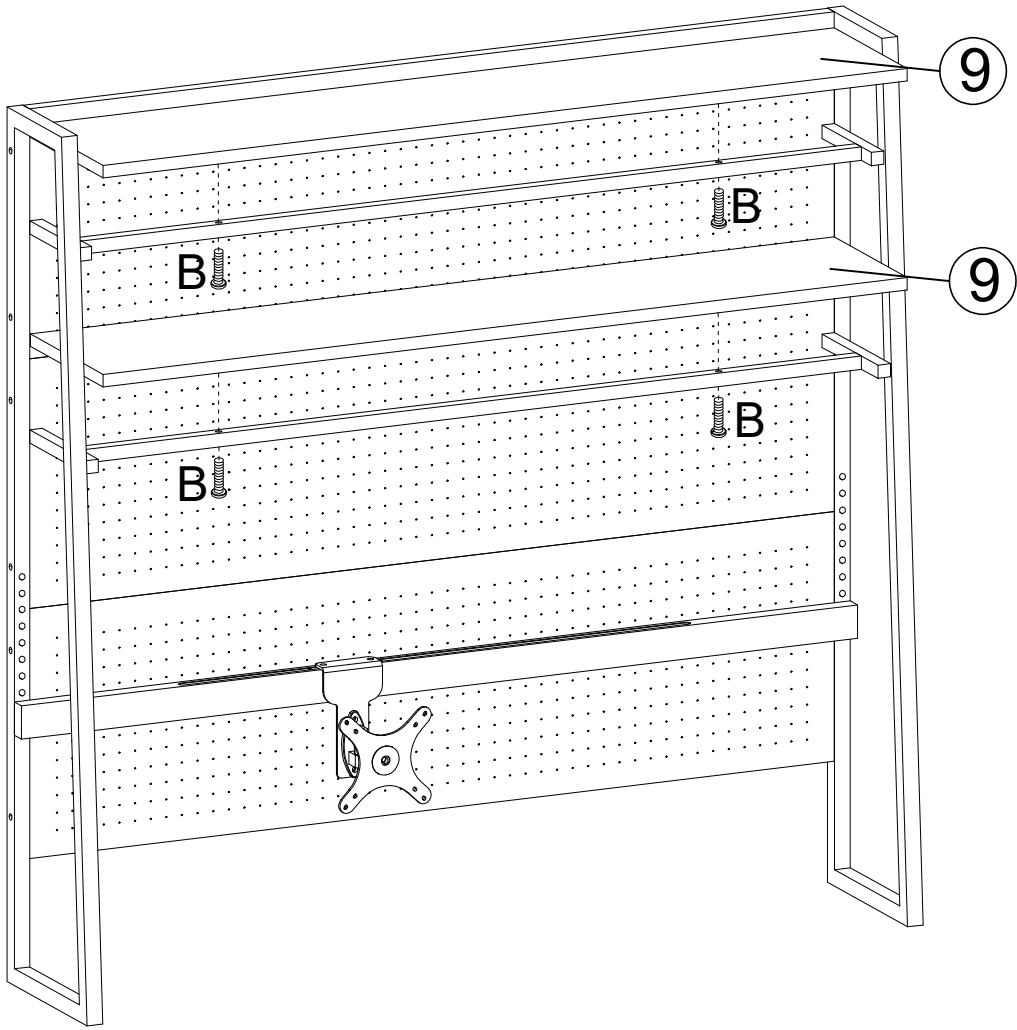


Part ⑤ can adjust the height according to your own habits

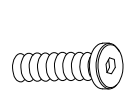
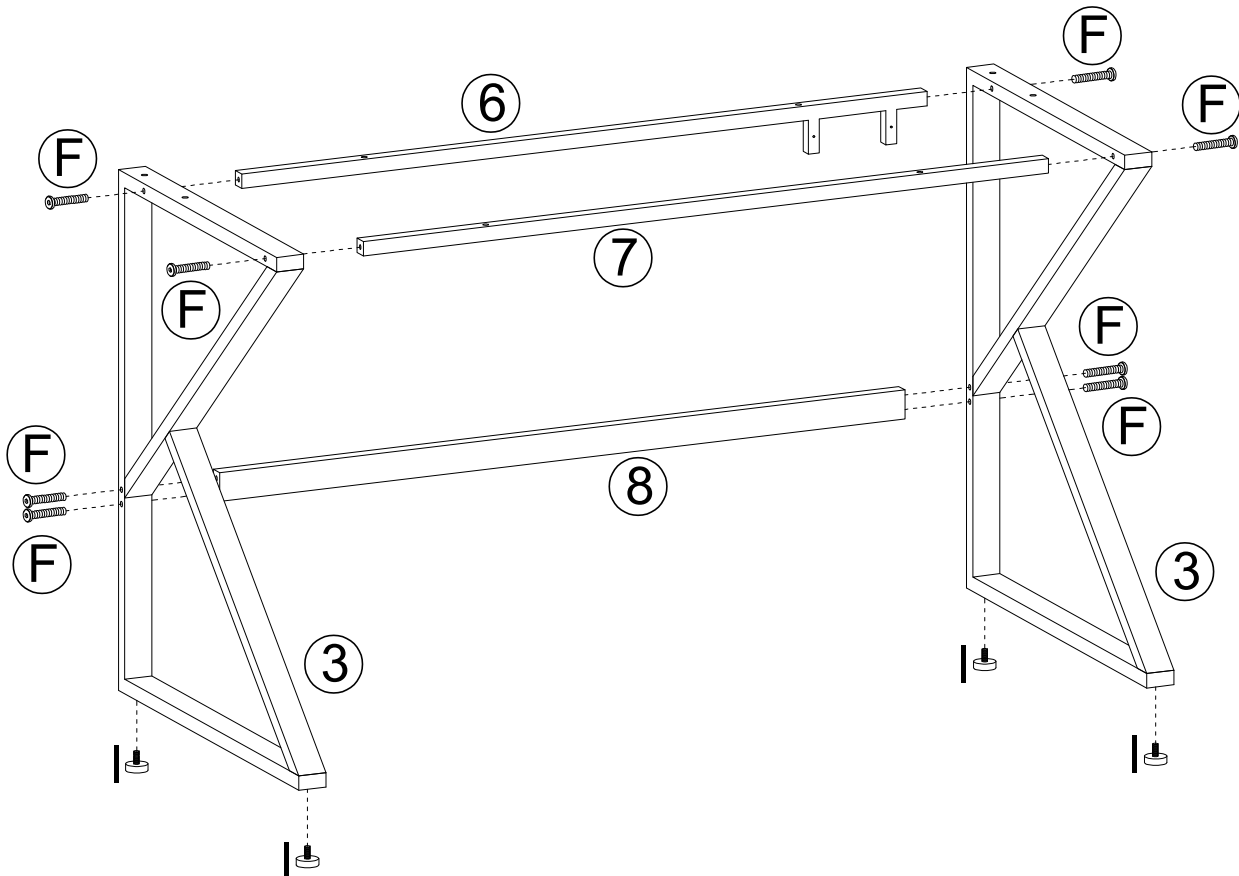


C×4

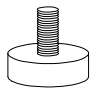
5



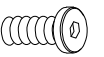
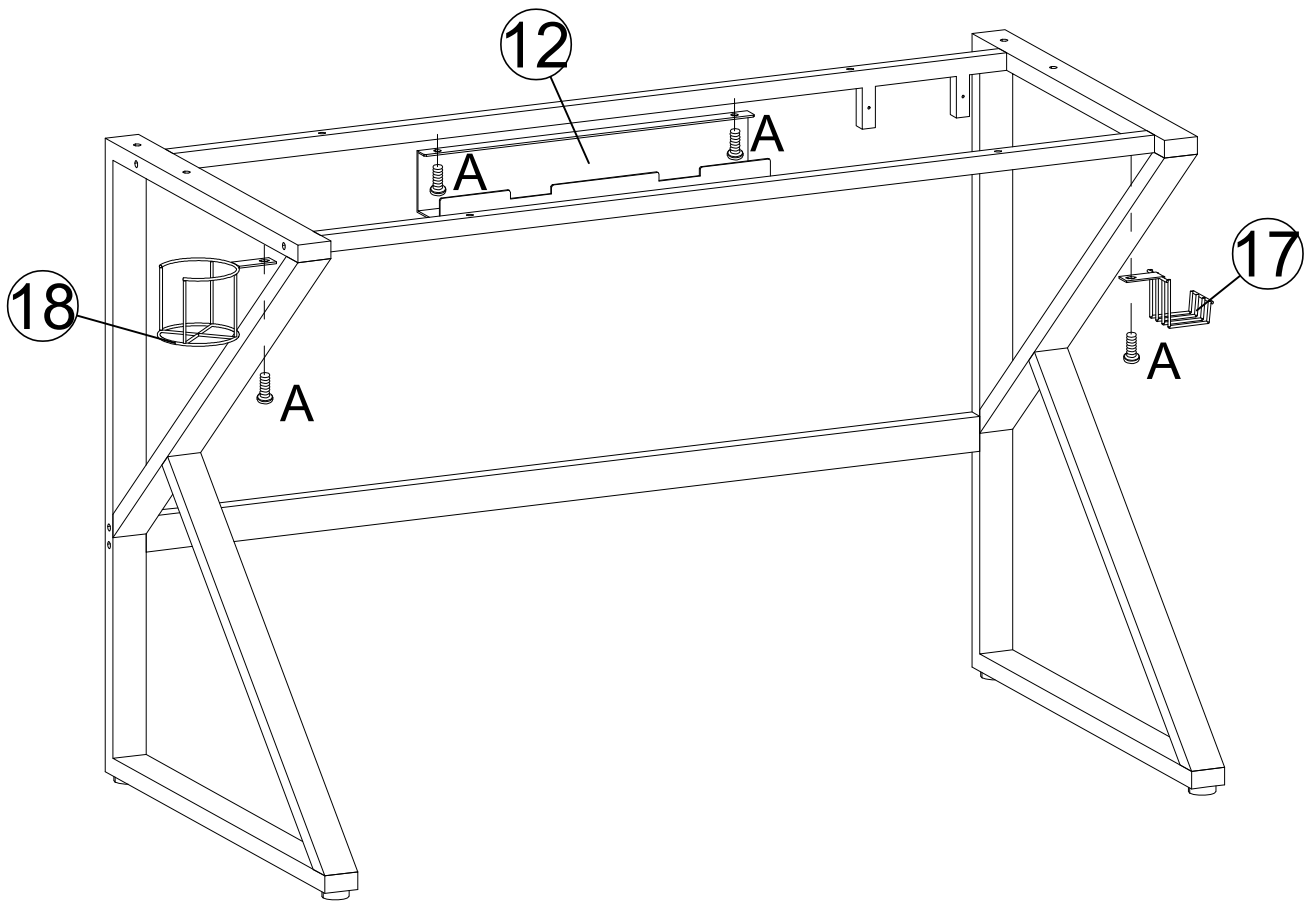
B×4



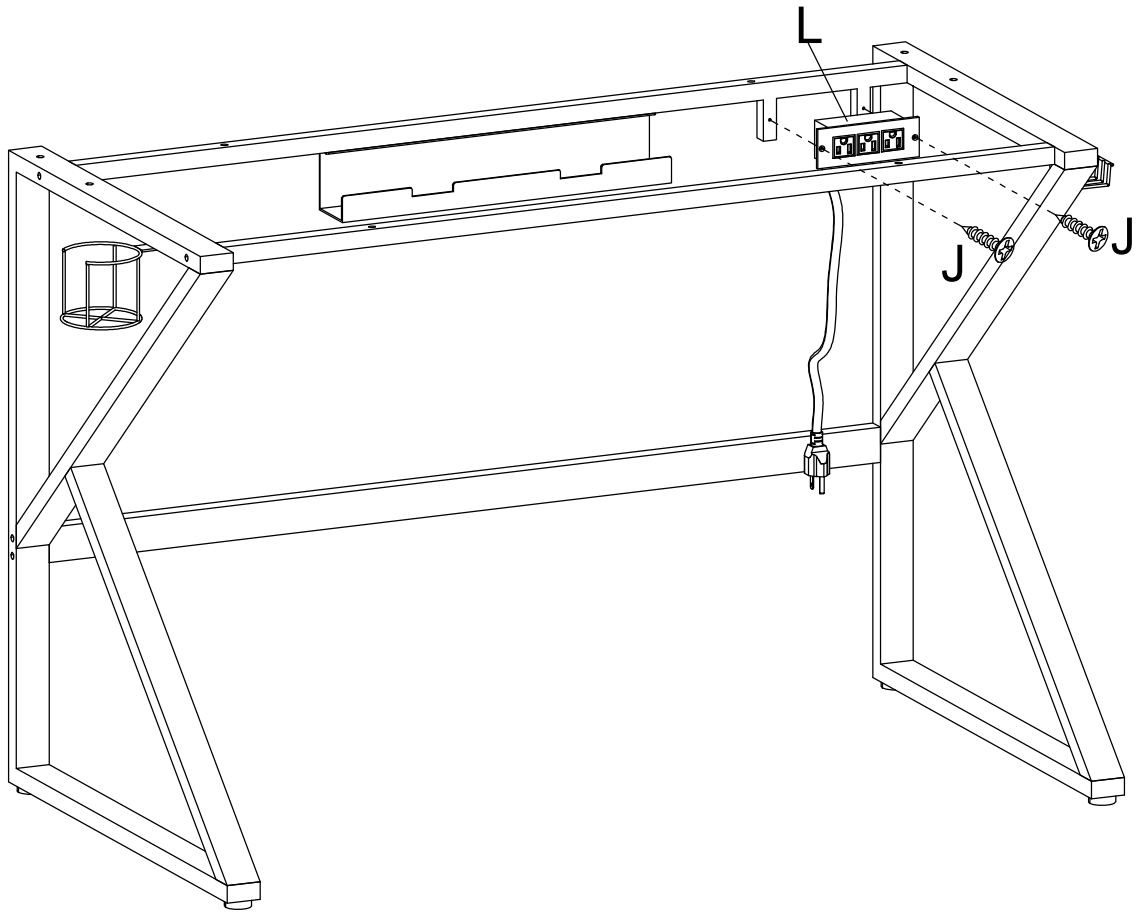
F×8



I×4



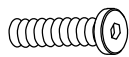
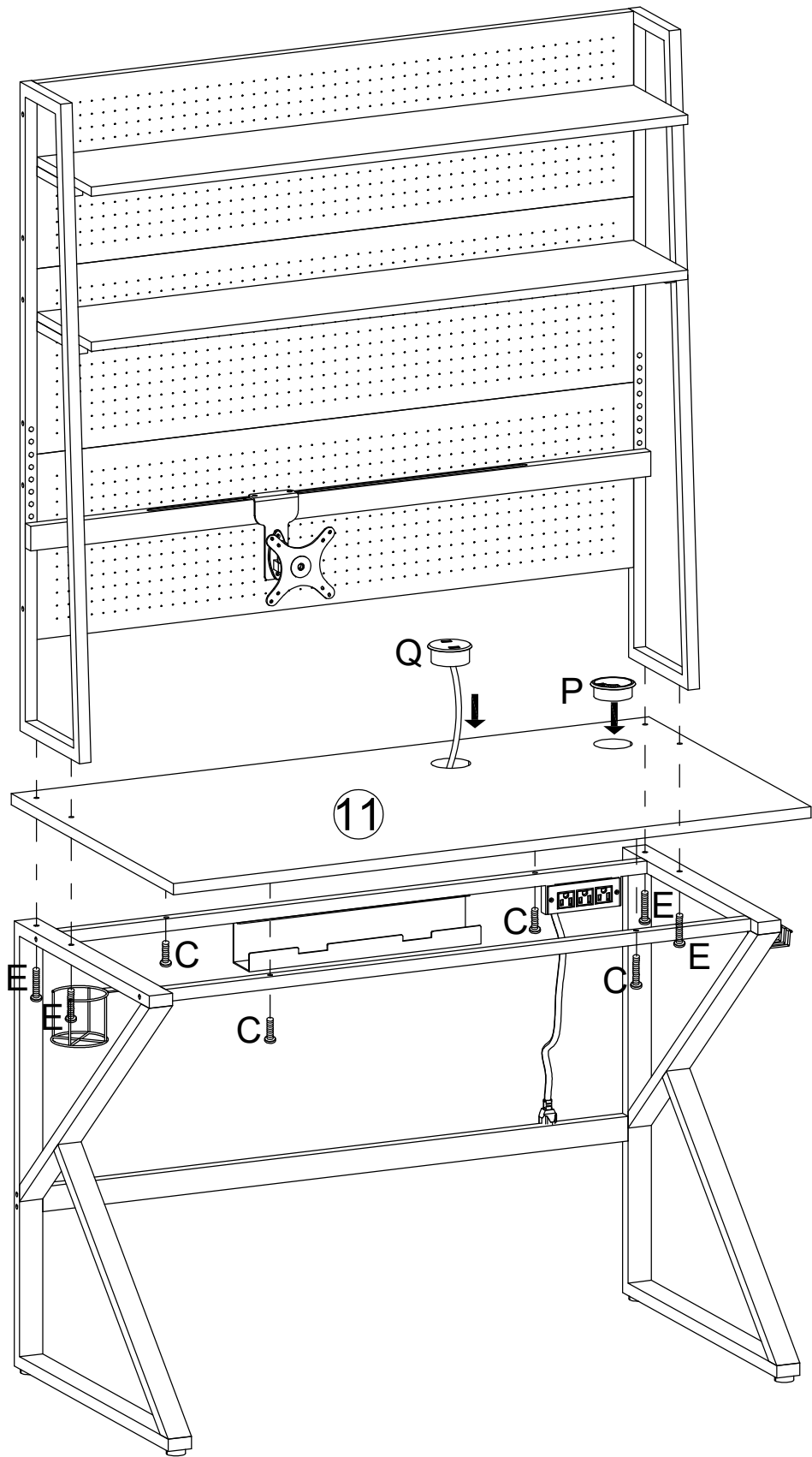
A×4



J×2



L×1



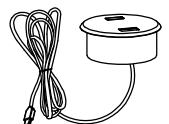
Cx4



Ex4

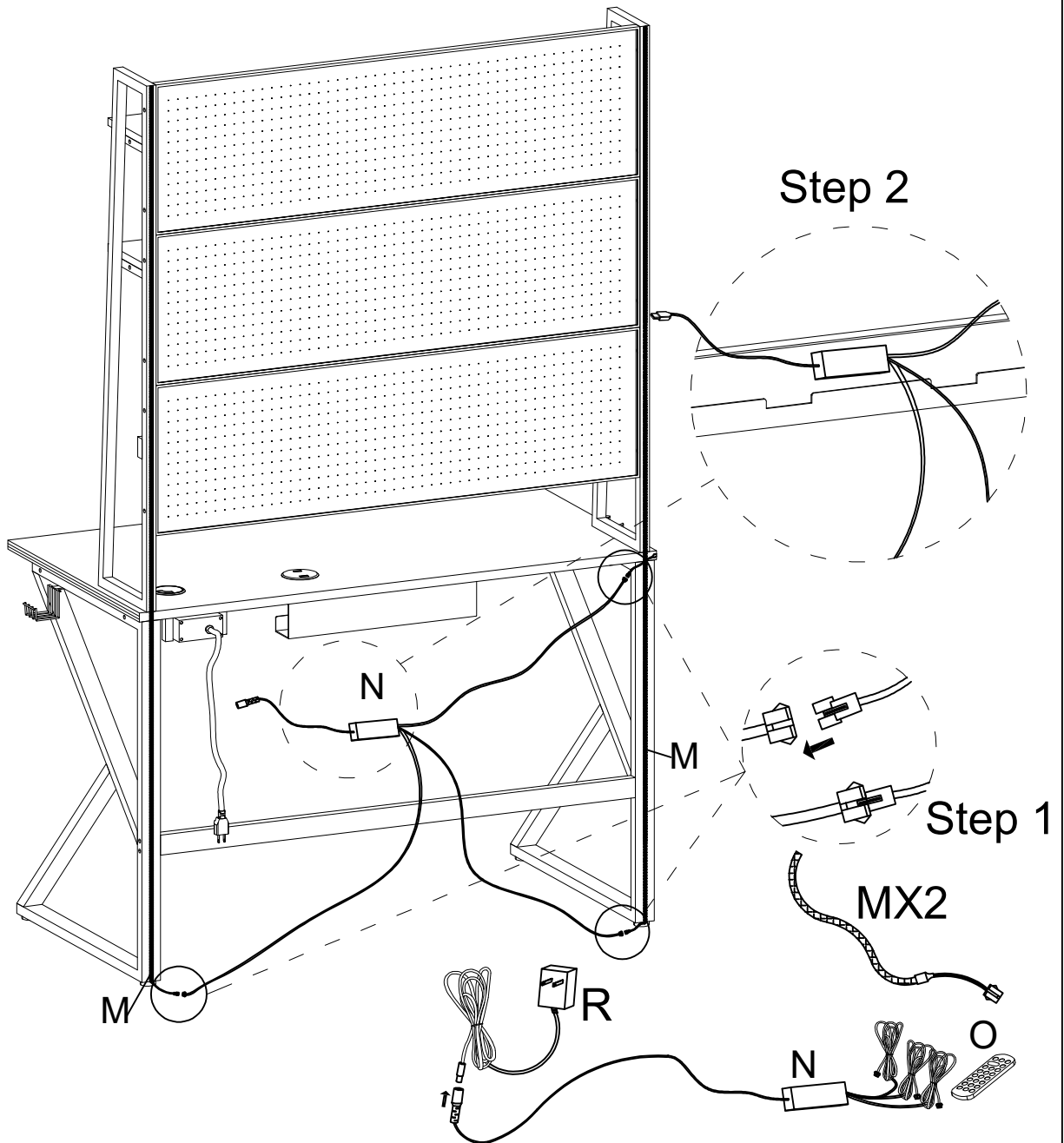
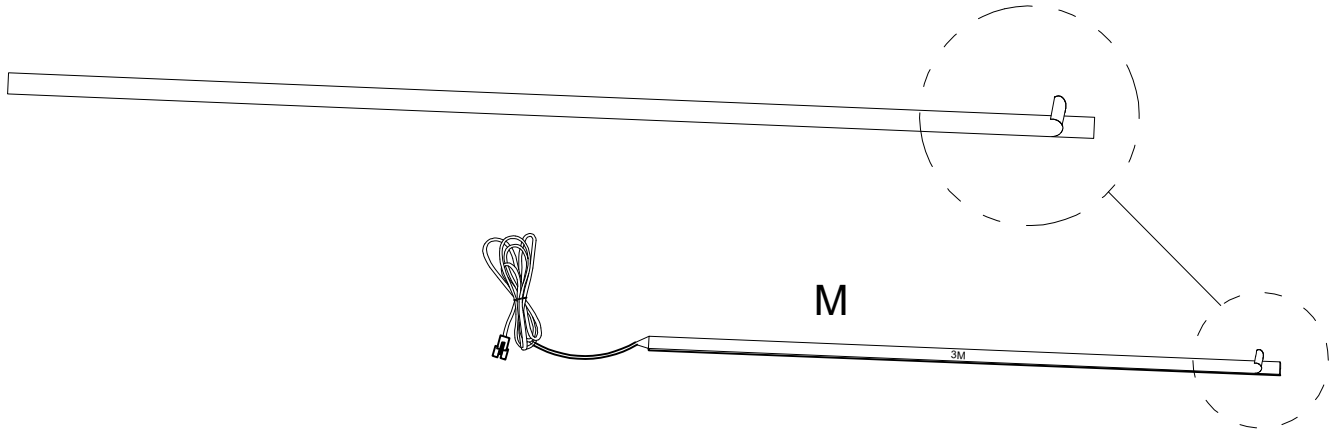


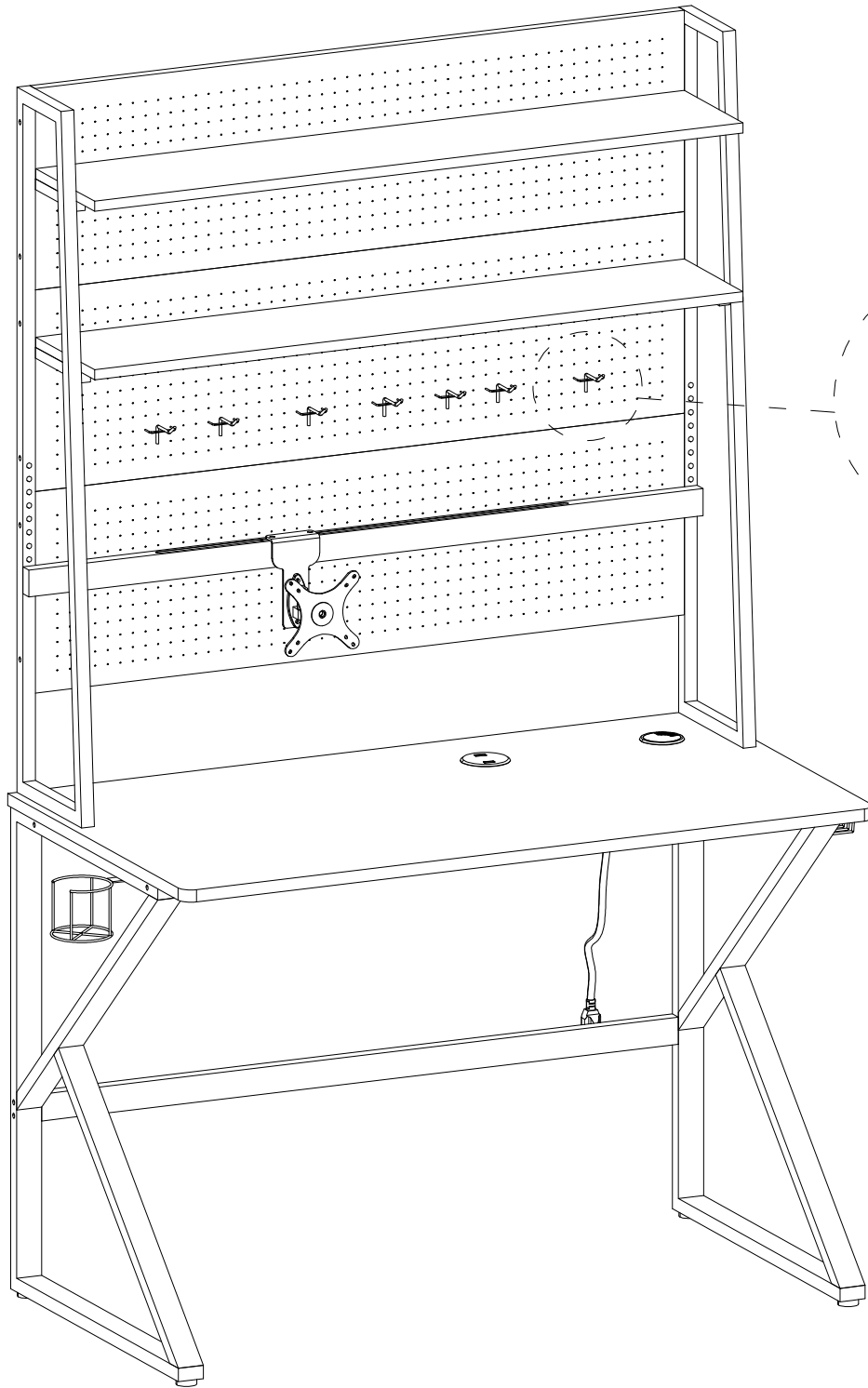
Px1



Qx1

# Installing the light strip





×10

